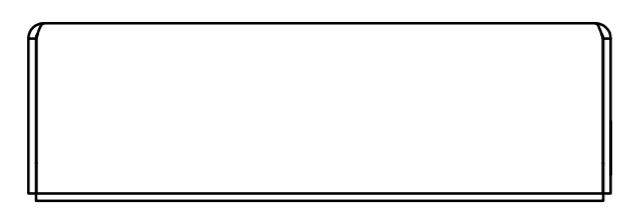
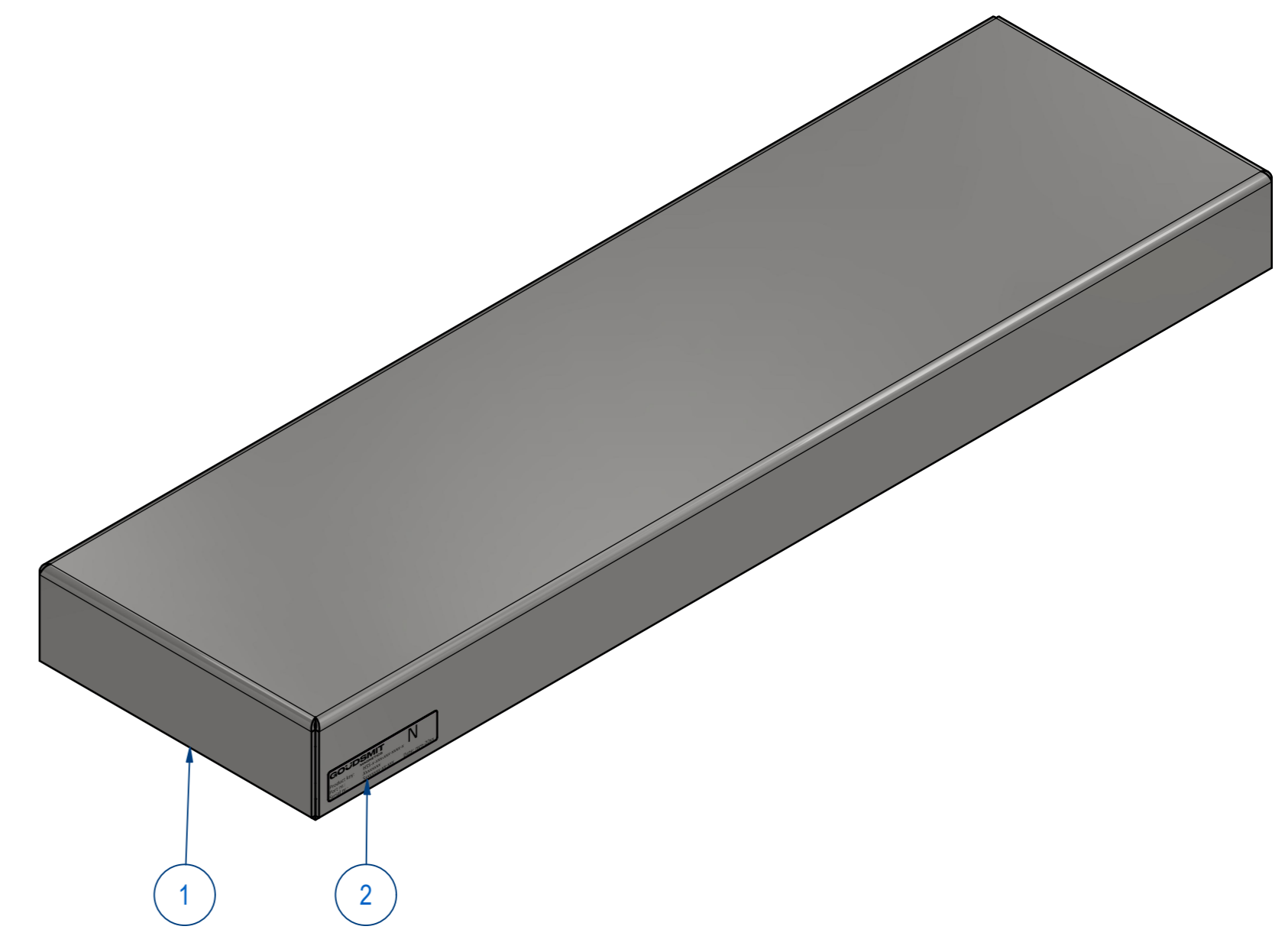
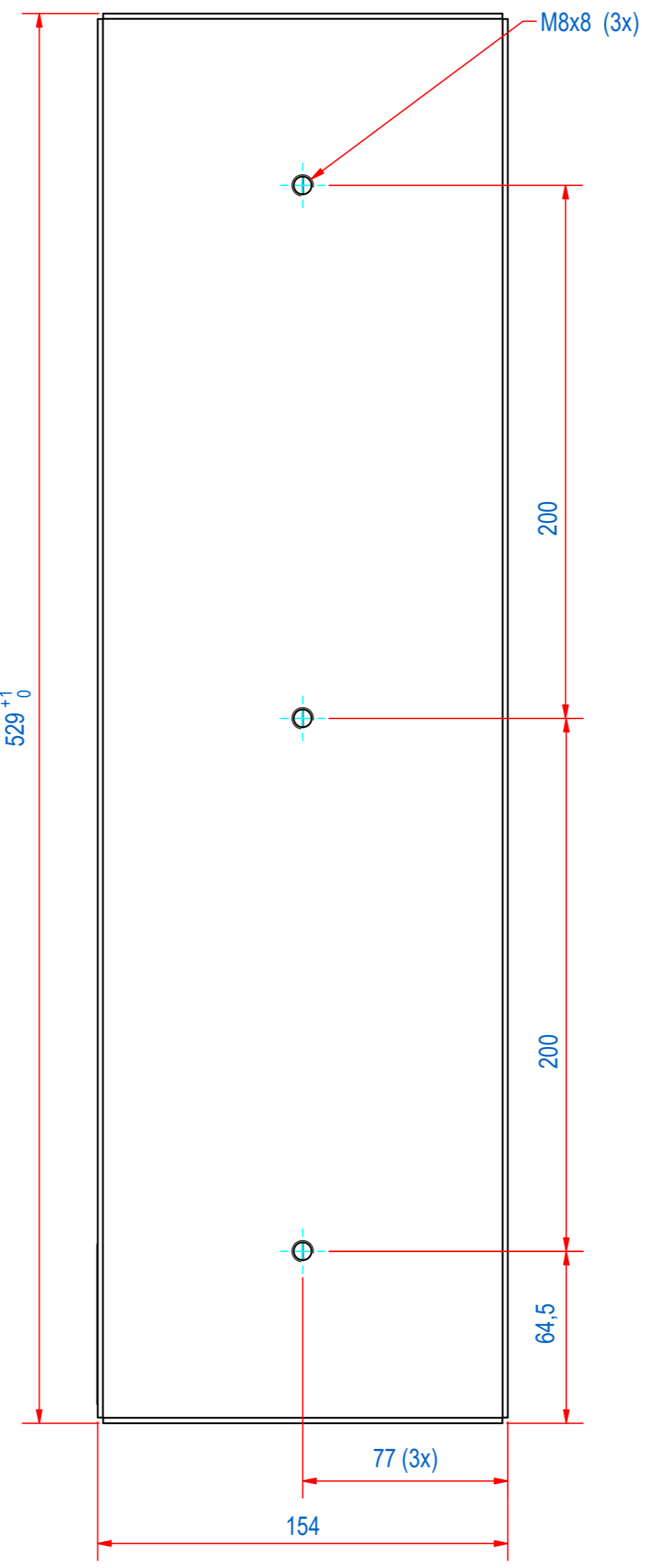
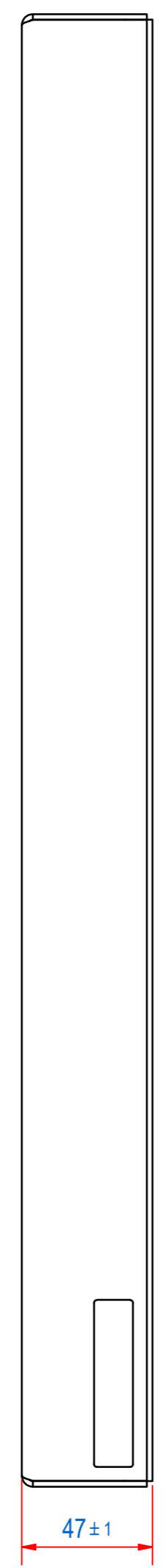
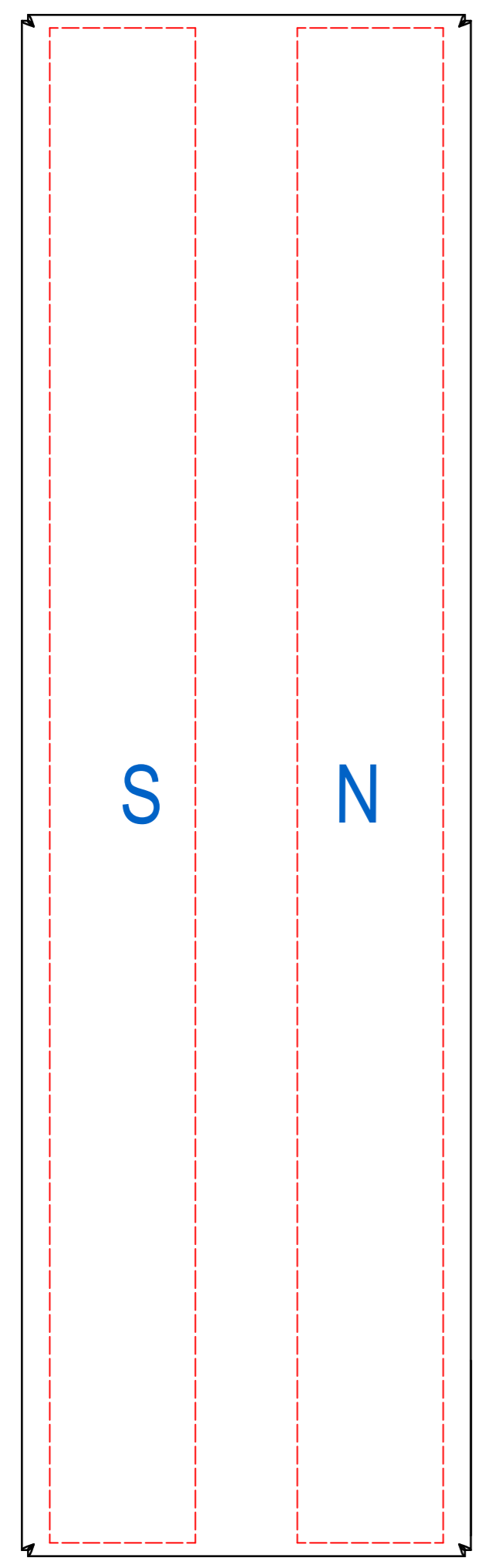


REV	DATE	BY	DESCRIPTION
-	6-6-2014	BS	NEW VAULT, NOTHING CHANGED. OLD REV WAS A
A	9-12-2022	LH	WELD ASSY DEMOTED, STICKER ADDED



ITEM	QTY	PART NUMBER	DESCRIPTION	Dimensions
2	1	E0156369	HSS-TYPE PLATE STICKER	
1	1	E0156520	HSS-WELD ASSY	
RAW MAT.	1			Length (mm) Width (mm)
Quantity		Material Number	Material Description	General tolerance: <i>ISO 2768- mK</i>
Sheet: <i>A2</i>		Extra info: <i>SHEET SEPARATOR</i>		Drawn according: <i>ISO268; ISO1101; ISO2553</i>
Drawn: <i>BS</i>		Weight (kg): <i>20</i>		Status: <i>Standard</i>
Date: <i>6-6-2014</i>		Source: <i>MC-C</i>		Customer reference number:
Spare part: <i>False</i>		Quick search: <i>TBSP03</i>		Document number: <i>TBSP030530</i> Doc.Rev: <i>A</i>
Description: <i>HSS-F-BA-154x047-0530-B</i>		Part number: <i>TBSP030530</i>		Rev: <i>A</i>



© All rights reserved. Reproduction is not permitted without written permission of GOUDSMIT Magnetic Systems BV