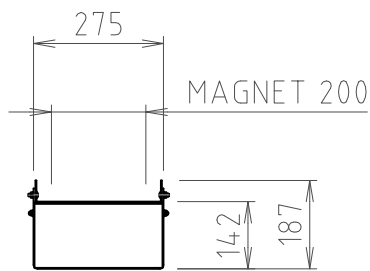
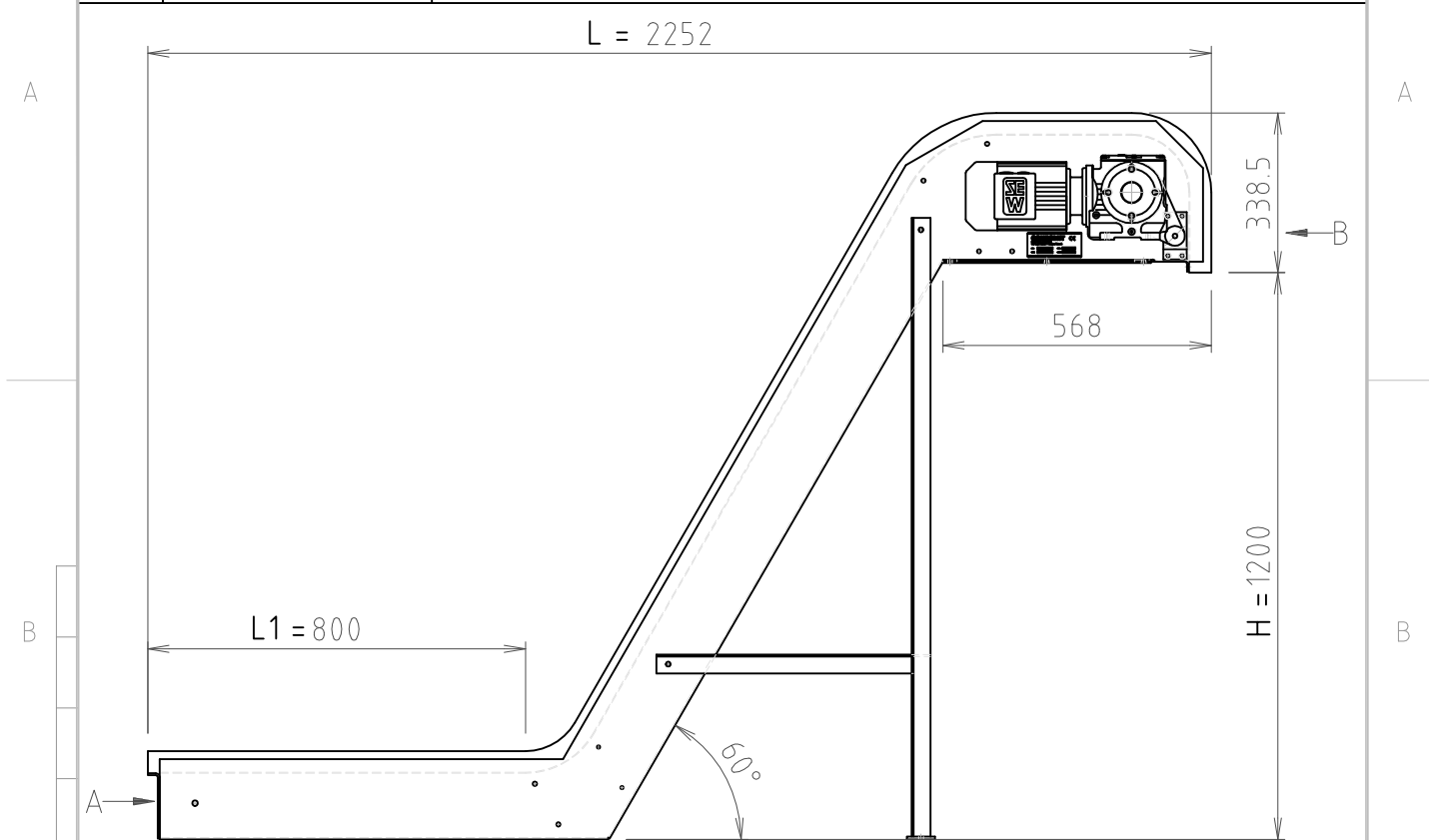
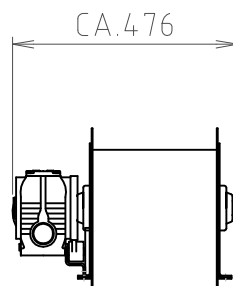


Rev: A	Name: GS Date: 14-11-2003	REFERENCE DRAWING TCBM350009
--------	------------------------------	------------------------------



VIEW A



VIEW B

DRIVE: SEW SA47-T-DT80K4; 0,55kW; 29rpm.; 230-400V; 50Hz
SPEED = 18 m/min.

A4 ISO 2768-cL	Drawn: GS	Ref. Client:	
	Date: 14-11-2003	Order:	Quant:
Unit: st	Scale: 1:15		
Spare:	ArtGrp: ATBM	Std: ODDV	
Title:	MAGNETIC SLIDE CONVEYOR SWAN-NECK CONSTRUCTION, L1=800, H=1200 STANDARD B=275		L: 0m W: 0m H: 0m M: 0kg
GOUDSMIT ® Magnetic systems	Artnr:	TCBA200001	Rev: A