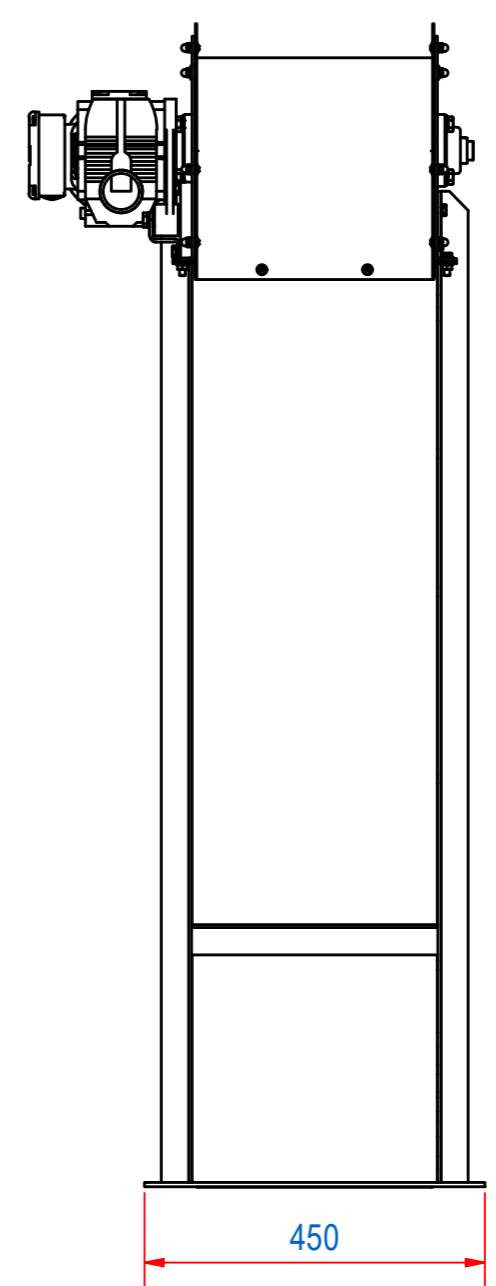
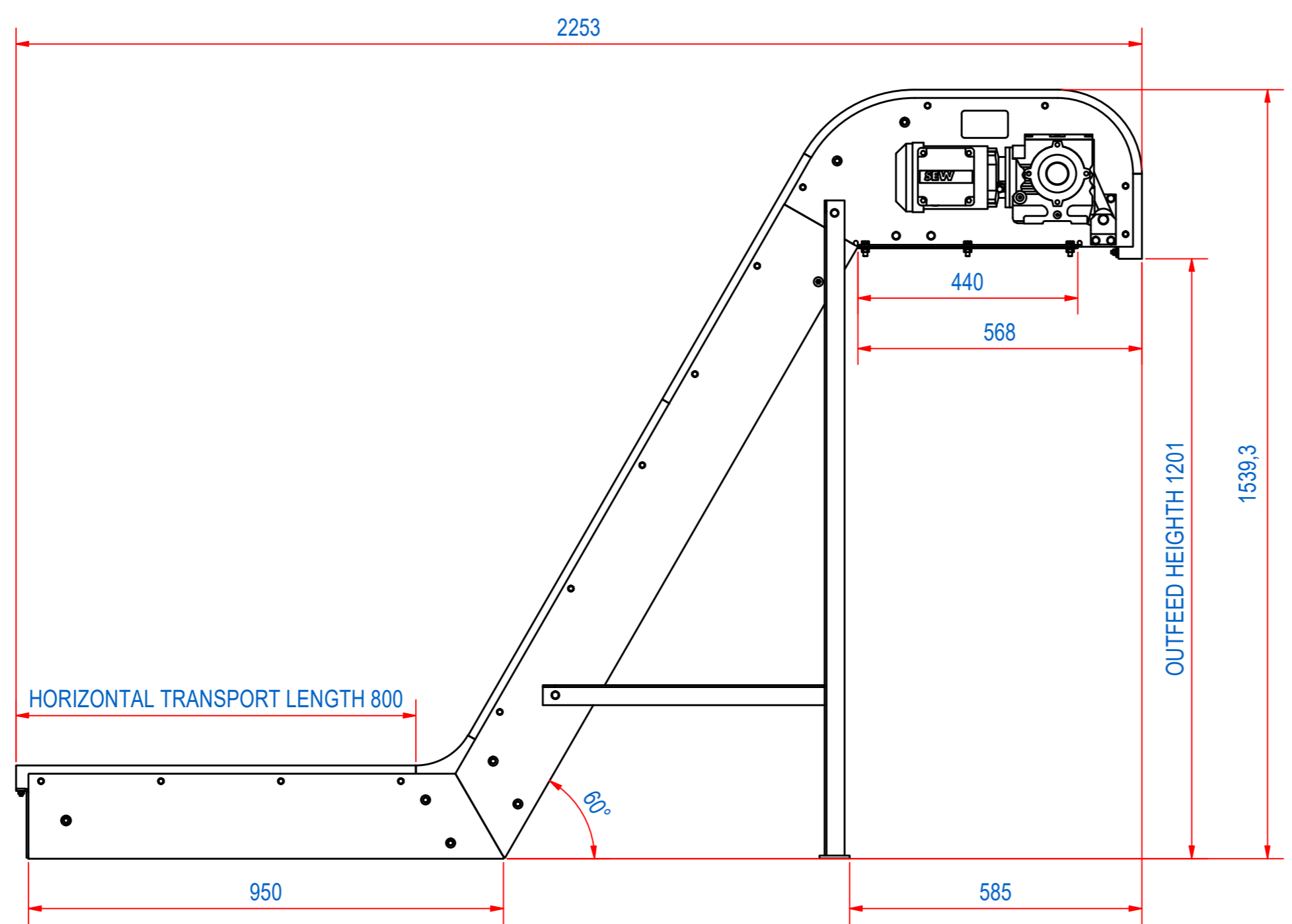
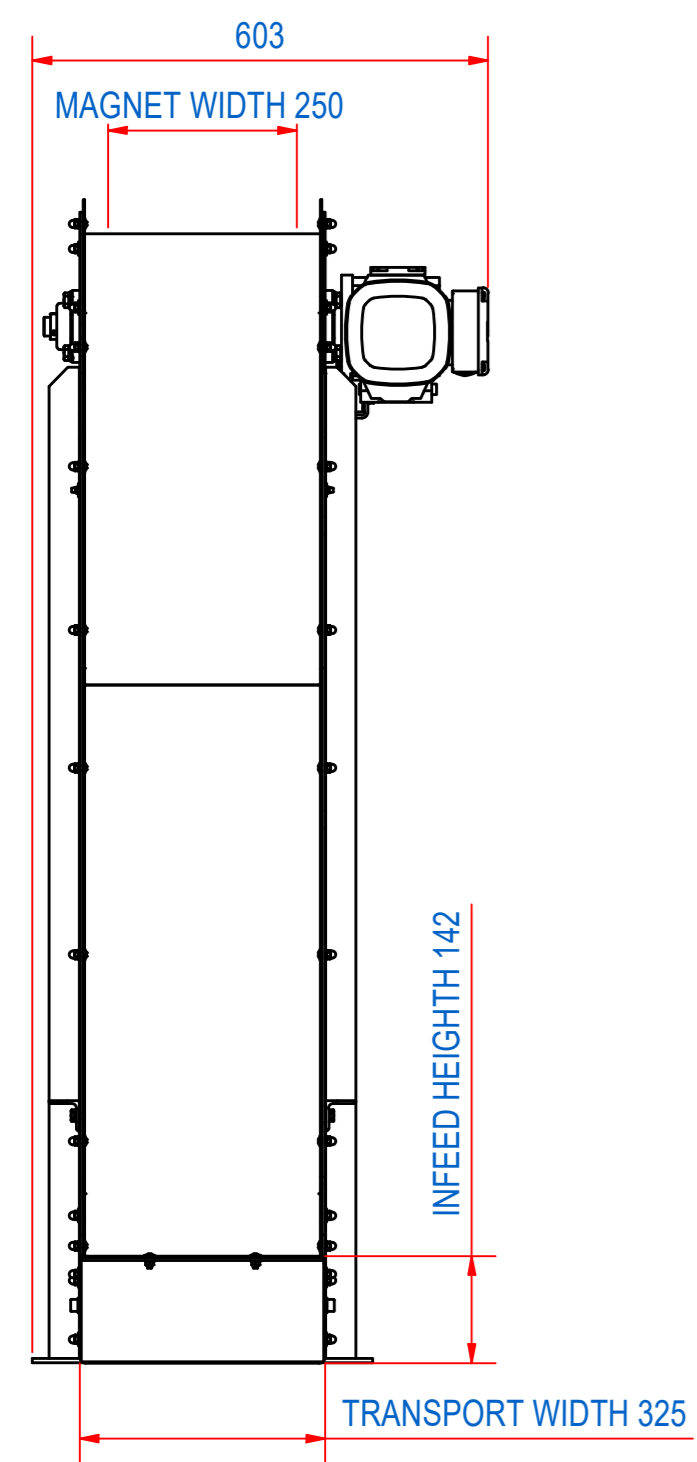
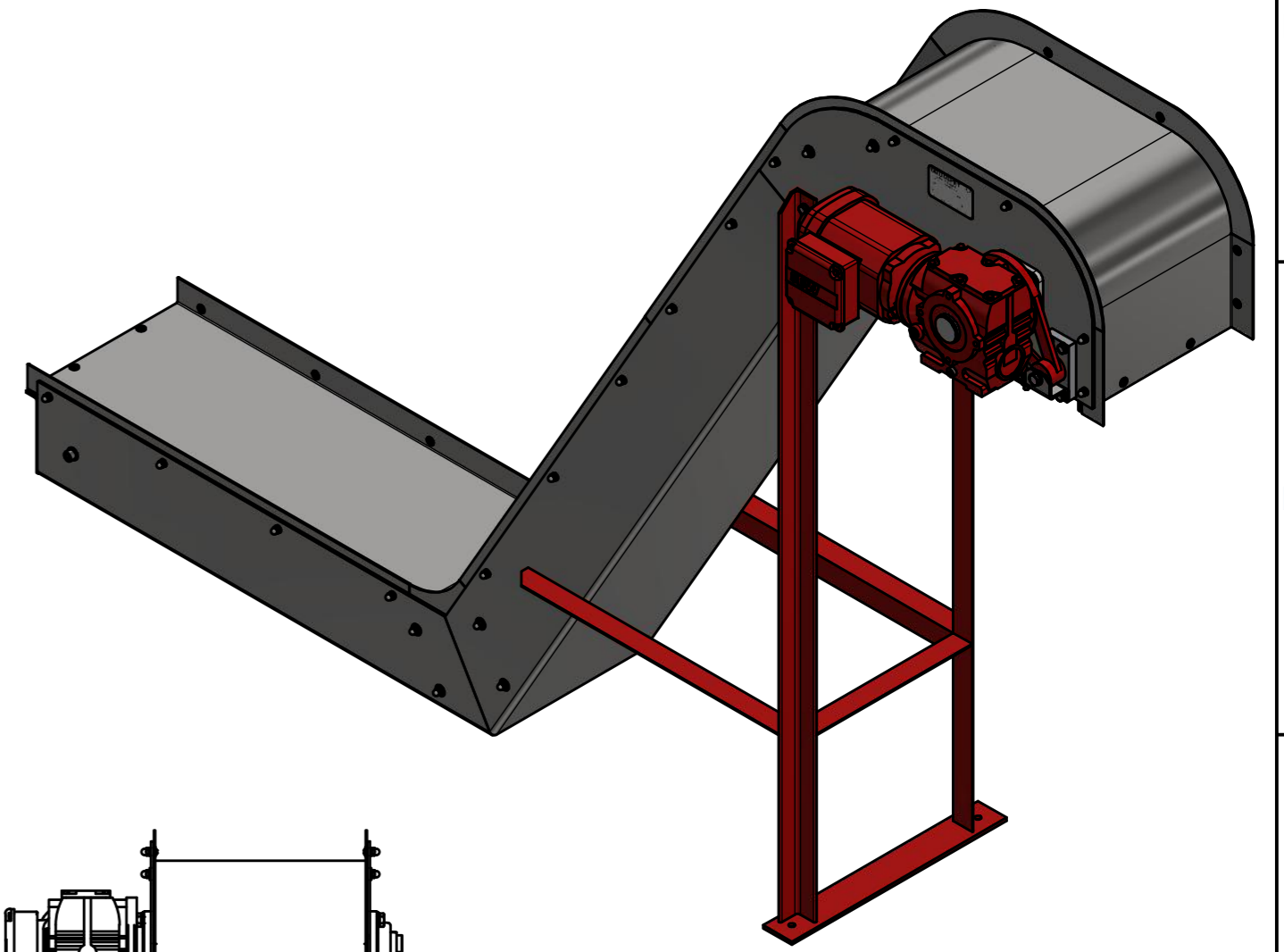
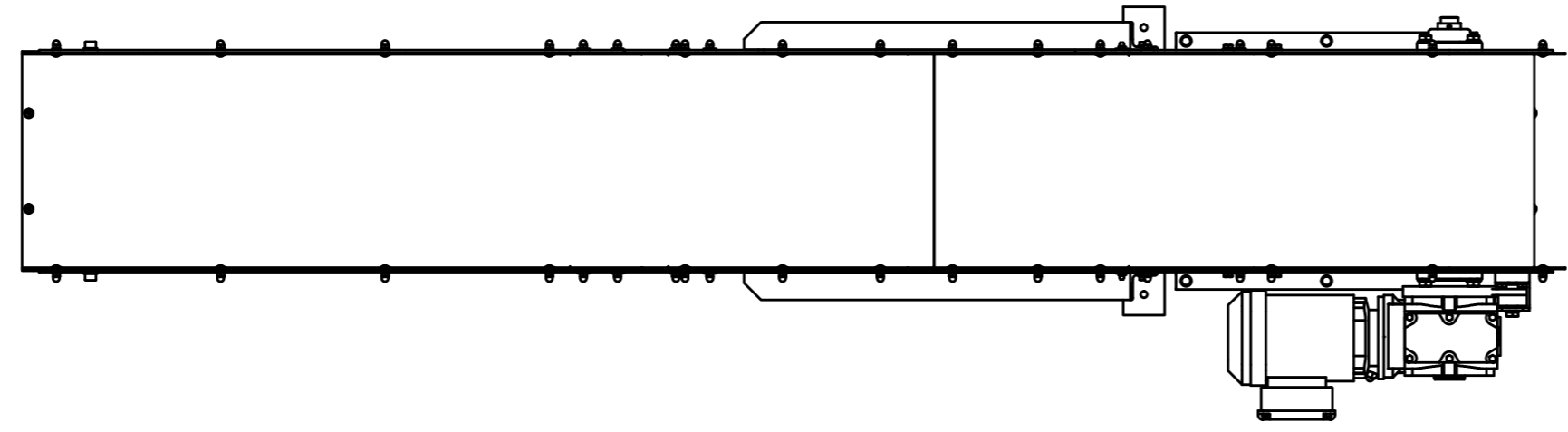


DOC.NR.	REV	DATE	BY	DESCRIPTION
TCBA250001	-	17-8-2017	PB	ORIGINAL DRAWING



ITEM	QTY	PART NUMBER	DESCRIPTION	Dimensions	
1	1	E0080627	MOUNTING DRAWING		
RAW MAT.	1			Length (mm)	Width (mm)
	Quantity	Material Number	Material Description		
	Sheet: A2	Extra info: SLIDE CONVEYOR	General tolerance: ISO 2768 - mK		
Drawn: PB	Weight (kg): 220		Drawn according: ISO268; ISO1101; ISO2553		
Date: 17-8-2017			Status: Released		
Spare part: False	Source:		Customer reference number:		
Quick search:			Document number: TCBA250001	Doc.Rev:	
Description: HSC-S-250-0800-1250-60-B-B-BR			Part number: TCBA250001	Rev:	



© All rights reserved. Reproduction is not permitted without written permission of GOUDSMIT Magnetic Systems BV