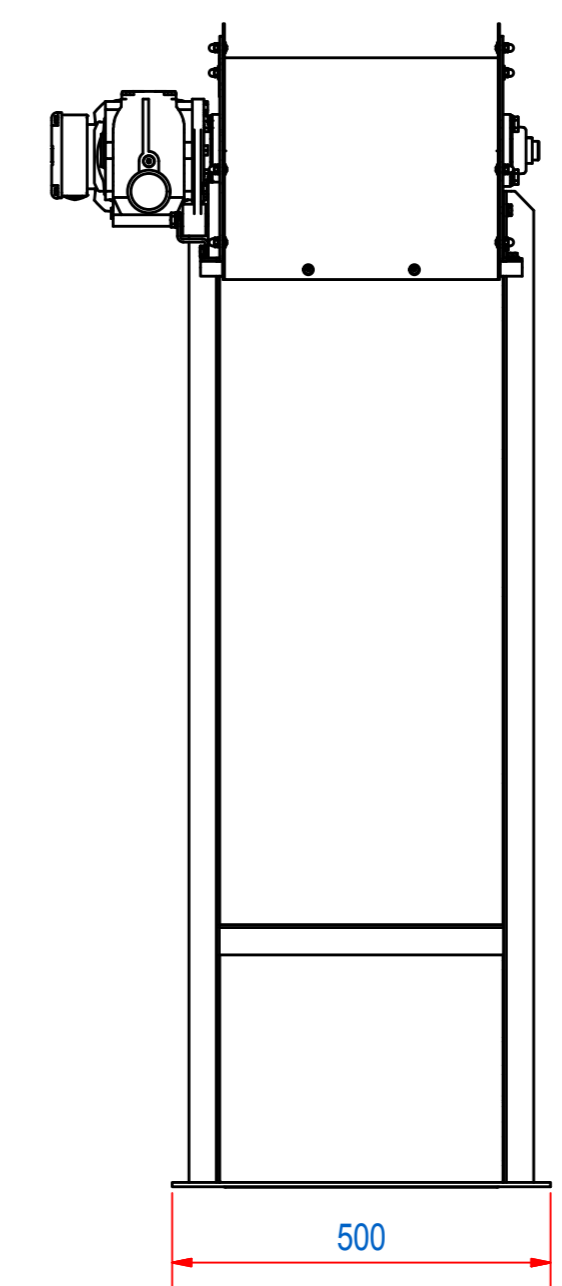
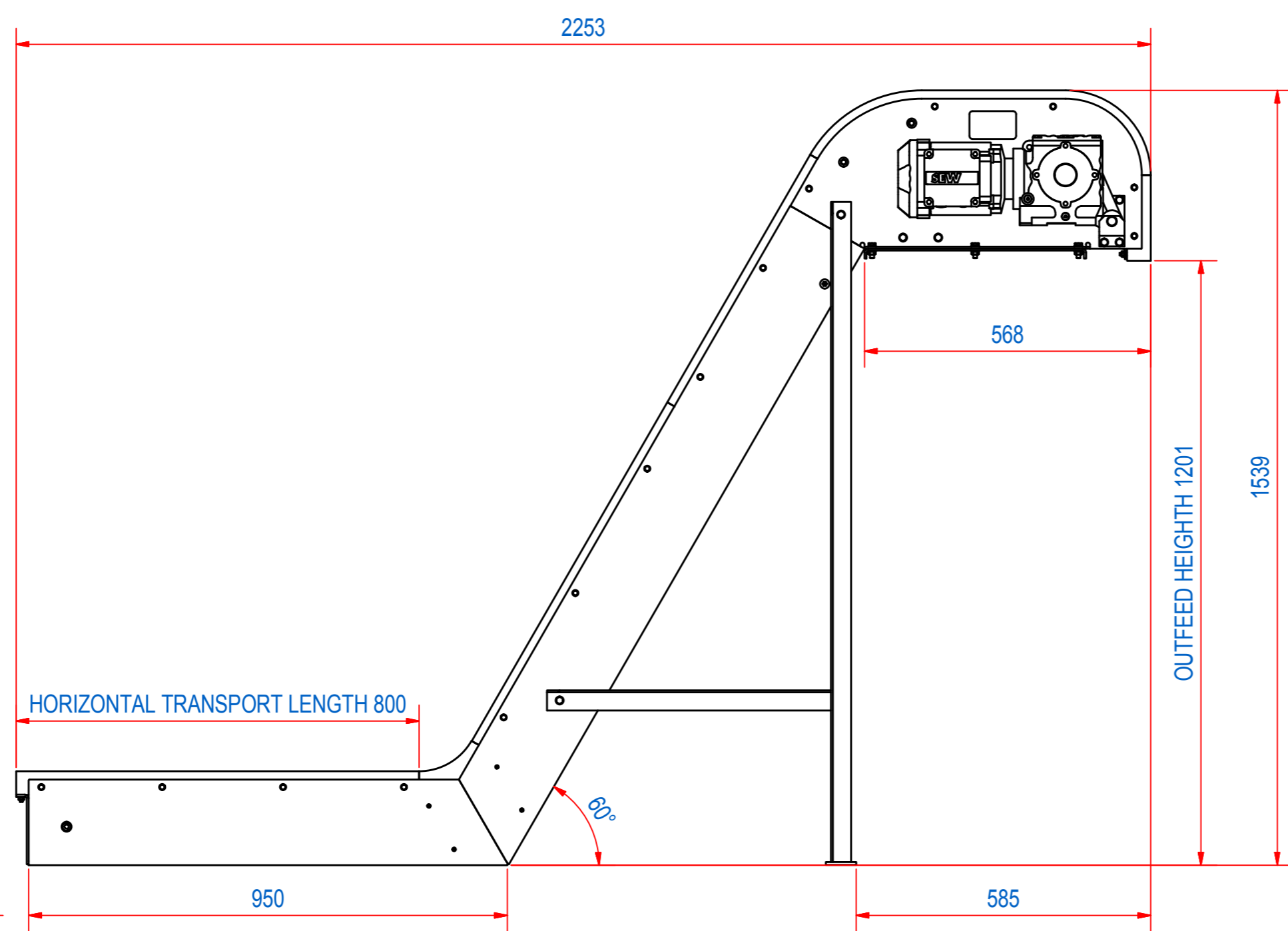
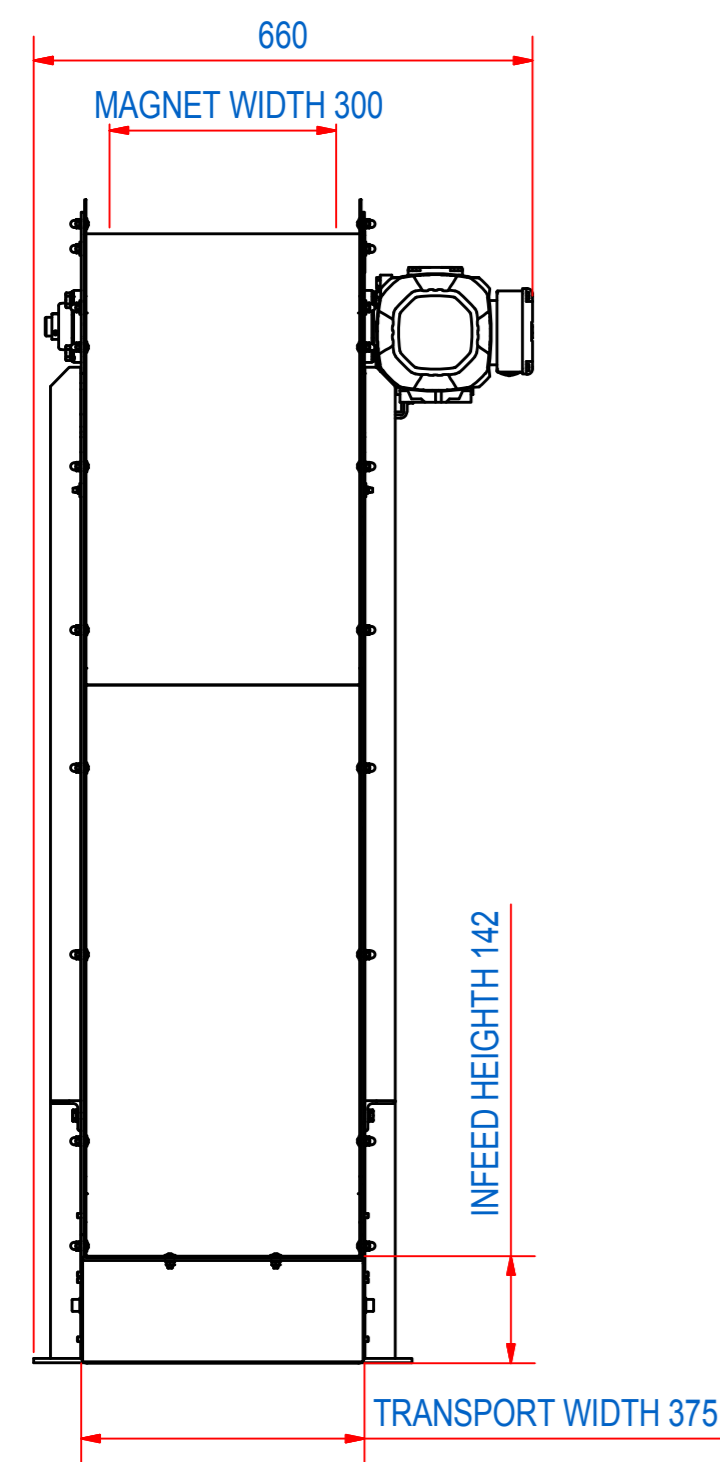
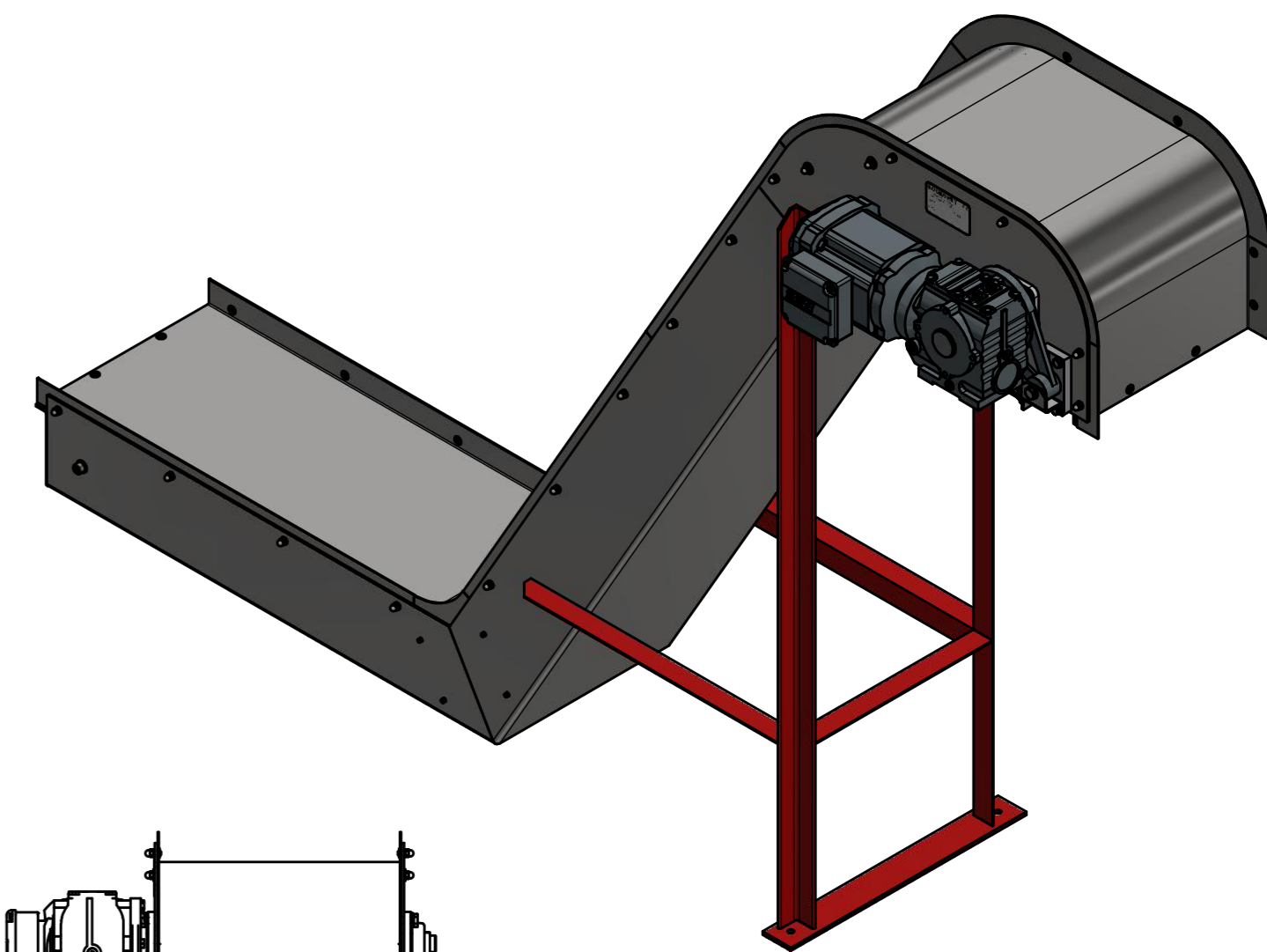
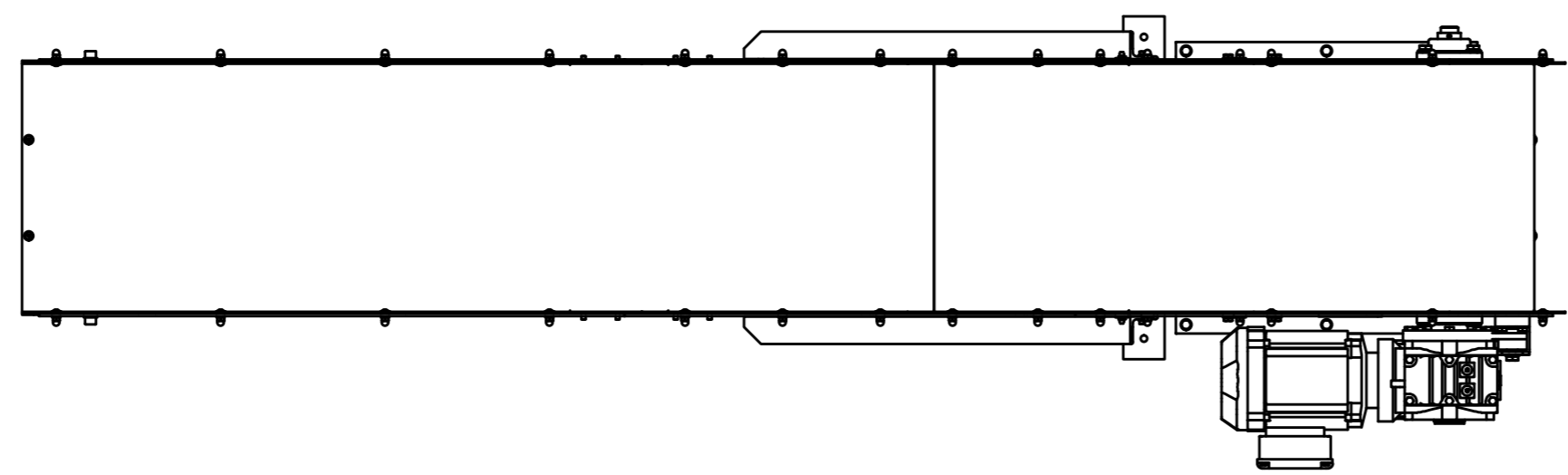


3	2	1		
DOC.NR.	REV	DATE	BY	DESCRIPTION
E0108204	-	8-1-2019	PB	REFERENCE MODEL: TCBA250001



1	1	E0108195	MOUNTING DRAWING	Dimensions	
ITEM	QTY	PART NUMBER	DESCRIPTION	Length (mm)	Width (mm)
RAW MAT.	1				
Quantity		Material Number	Material Description	General tolerance: <i>ISO 2768 - mK</i>	
Sheet: <i>A2</i>		Extra info: <i>SLIDE CONVEYOR</i>		Drawn according: <i>ISO268; ISO1101; ISO2553</i>	
Drawn: <i>PB</i>		Weight (kg): <i>239,2</i>		Status: <i>Standard</i>	
Date: <i>8-1-2019</i>				Customer reference number:	
Spare part: <i>False</i>				Document number: <i>E0108204</i>	
Quick search:		© All rights reserved. Reproduction is not permitted without written permission of GOUDSMIT Magnetic Systems BV		Part number: <i>TCBA300001</i>	
Description: <i>HSC-S-300-0800-1200-60-B-B-B</i>				Rev: <i>-</i>	