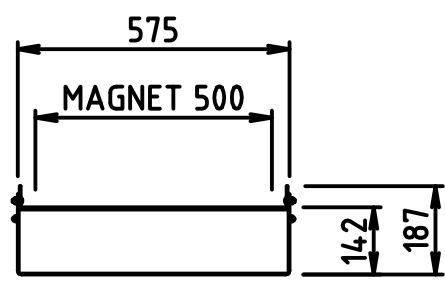
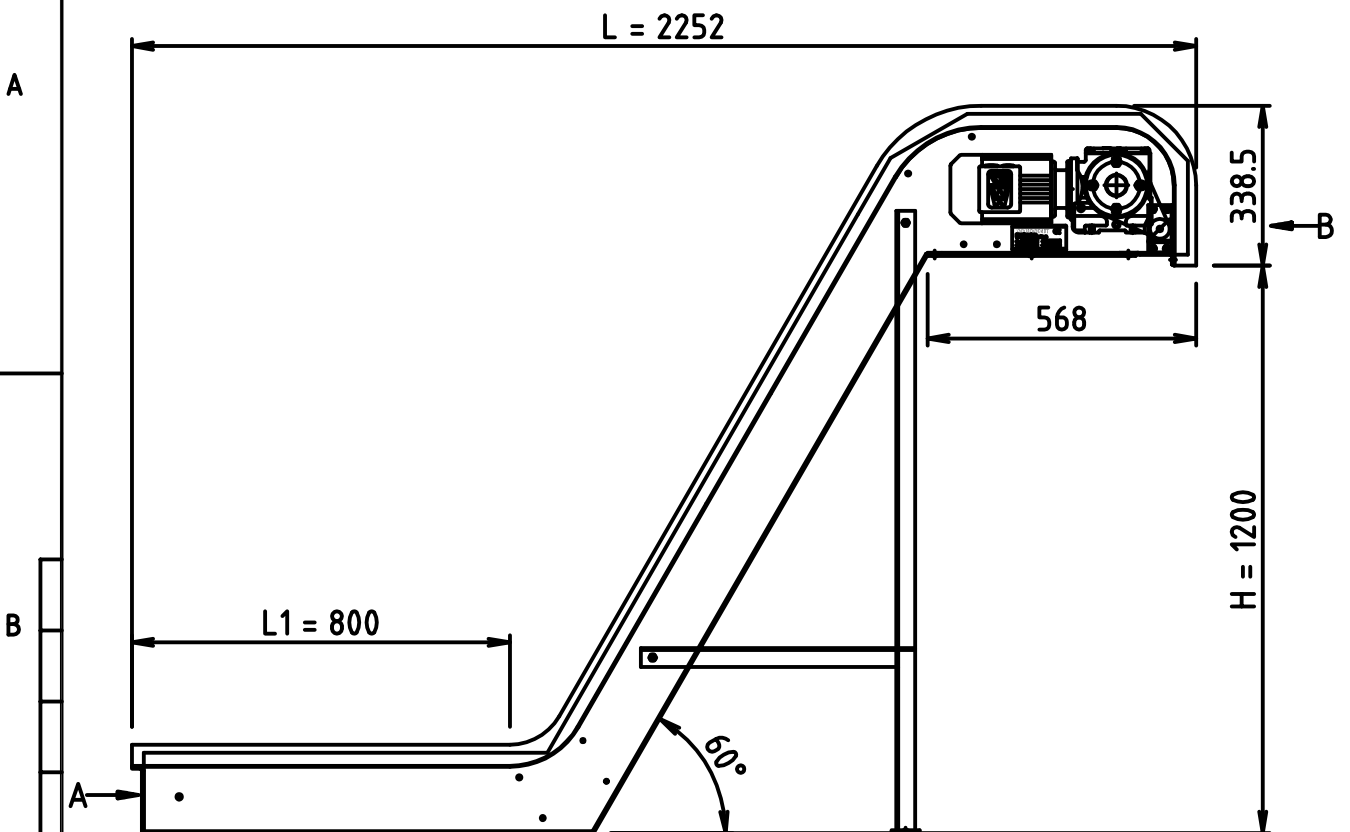
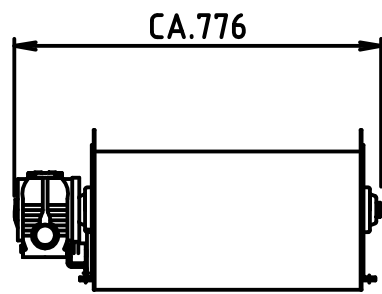


P T1 T3 T6 T7 by: done: nr:

Rev: Name: GS REFERENCE DRAWING TCBM350009
 A Date: 14-11-2003



VIEW A



VIEW B

DRIVE: SEW SA47-T-DT80K4; 0,55kW; 29rpm.; 230-400V; 50Hz
 SPEED = 18 m/min.

A4 ISO 2768- CL	Drawn: GS	Ref. Client:	
	Date: 14-11-2003	Order:	Quant:
Unit: st	Scale: 1:15		
Spare:	ArtGrp: XTBM	Std: ODDV	
Title: MAGNETIC SLIDE CONVEYOR SWAN-NECK CONSTRUCTION, L1=800, H=1200 STANDARD B=575			L: 2.25m W: 0.78m H: 1.54m M: 0kg
GOUDSMIT ® Magnetic systems		Artnr: TCBA500001	Rev: A

All rights reserved. C. reproduction or issue is not permitted without written permission of GOUDSMIT MAGNETICS SYSTEMS B.V.