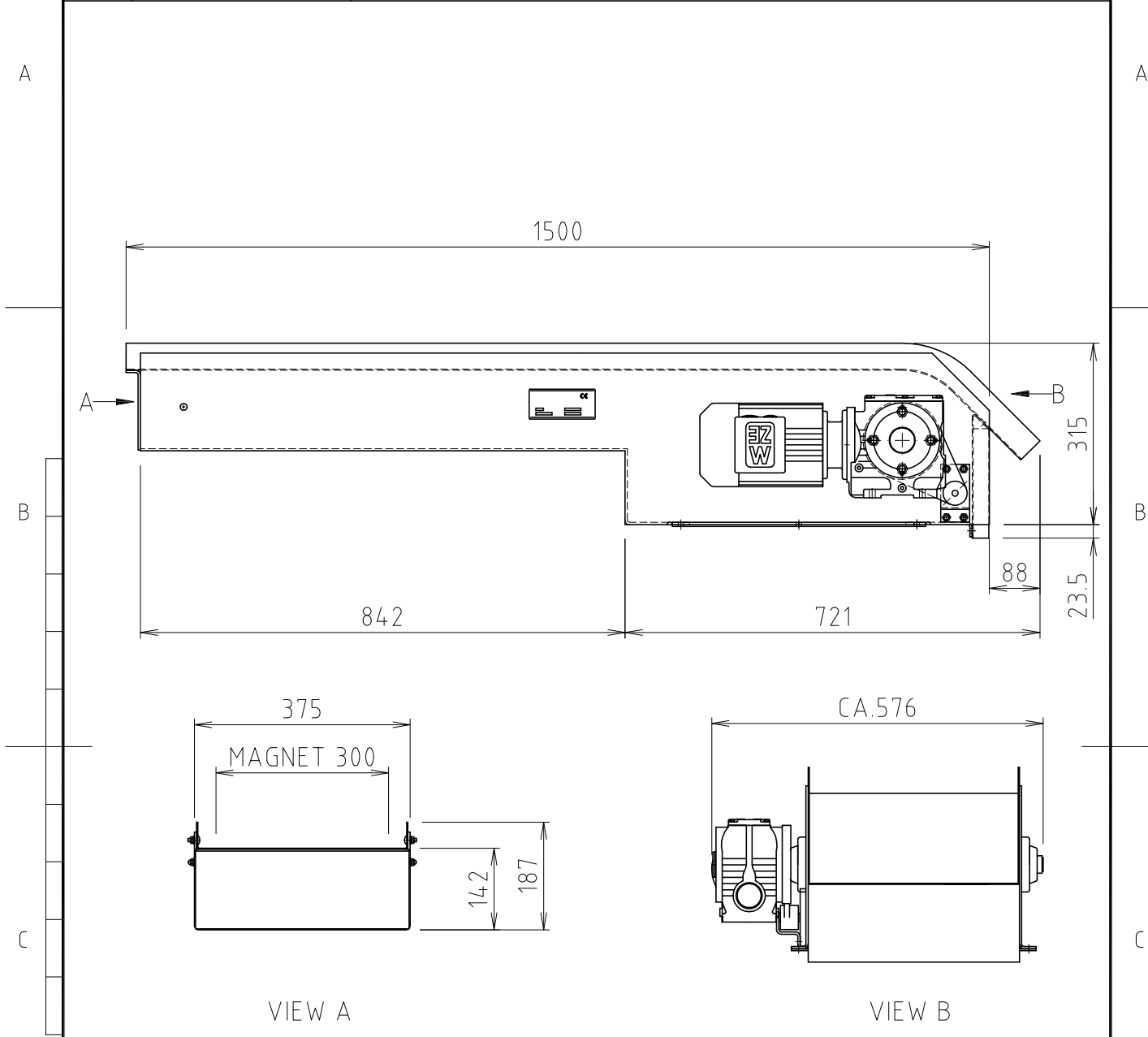


Rev: A	Name: GS Date: 14-11-2003	REFERENCE DRAWING TCBM200036
--------	------------------------------	------------------------------



DRIVE: SEW SA47-T-DT80K4; 0,55kW; 29rpm.; 230-400V; 50Hz
 SPEED = 18 m/min.

A4 ISO 2768-cL	Drawn: GS	Customer Type Nr:	
	Date: 14-11-2003	Order:	Quant:
Unit: st	Scale: 1:10		
Spare:	ArtGrp: ATBM	Std: ODDV	
Title:			Length: -m
MAGNETIC SLIDE CONVEYOR FLAT CONSTRUCTION, L=1500 STANDARD B=375			Width: -m
			Height: -m
			Weight: -kg
			Rev: A
GOUDSMIT [®] Magnetic systems		Artnr:	
		TCBC300001	

All rights reserved. C. reproduction or issue is not permitted without written permission of GOUDSMIT MAGNETICS SYSTEMS B.V.