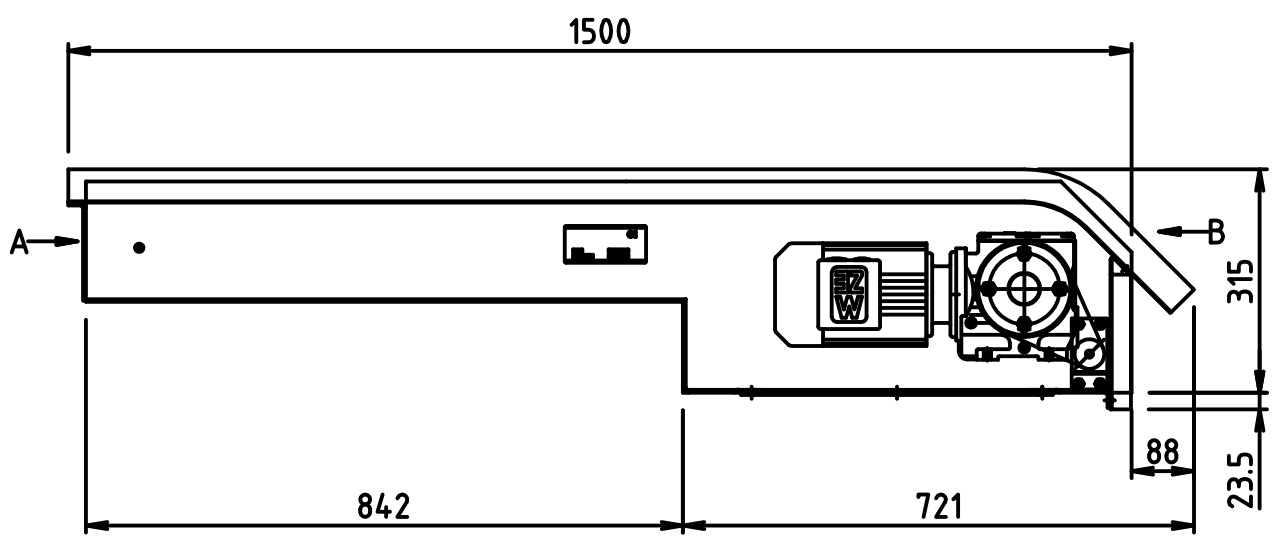


P T1 T3 T6 T7 by: done: nr:

Rev: Name: GS REFERENCE DRAWING TCBM200036  
 A Date: 14-11-2003

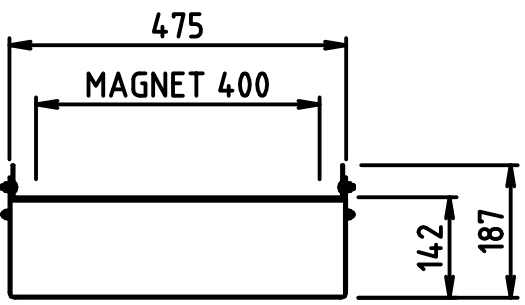
A

A

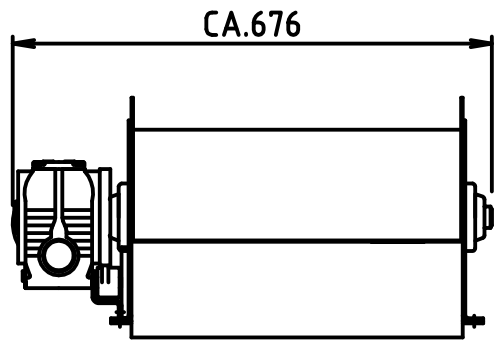


B

B



VIEW A



VIEW B

DRIVE: SEW SA47-T-DT80K4; 0,55kW; 29rpm.; 230-400V; 50Hz  
 SPEED = 18 m/min.

C

C

A4 ISO 2768-CL	Drawn: GS	Customer Type Nr:	
	Date: 14-11-2003	Order:	Quant:
Unit: st	Scale: 1:10		
Spare:	ArtGrp: XTBM	Std: ODDV	
Title:			Length: -m
<b>MAGNETIC SLIDE CONVEYOR</b> FLAT CONSTRUCTION, L=1500 STANDARD B=475			Width: -m
			Height: -m
<b>GOUDSMIT</b> ® Magnetic systems			Weight: -kg
Artnr: TCBM400001		Rev: A	

D

D

All rights reserved. C. reproduction or issue is not permitted without written permission of GOUDSMIT MAGNETICS SYSTEMS B.V.