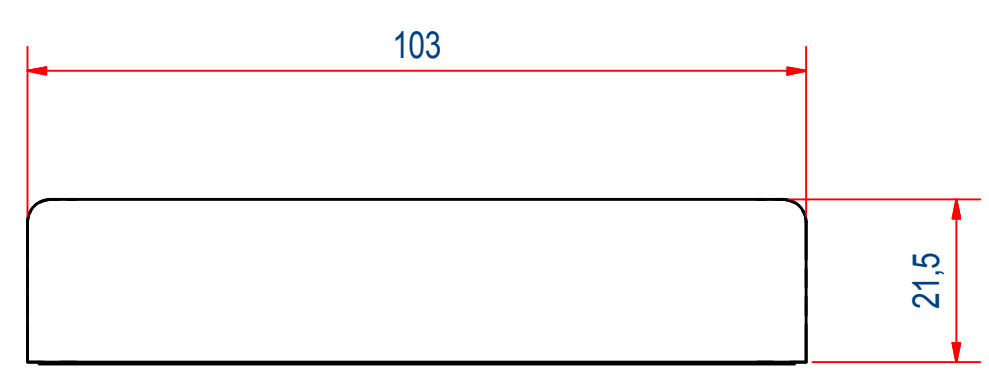
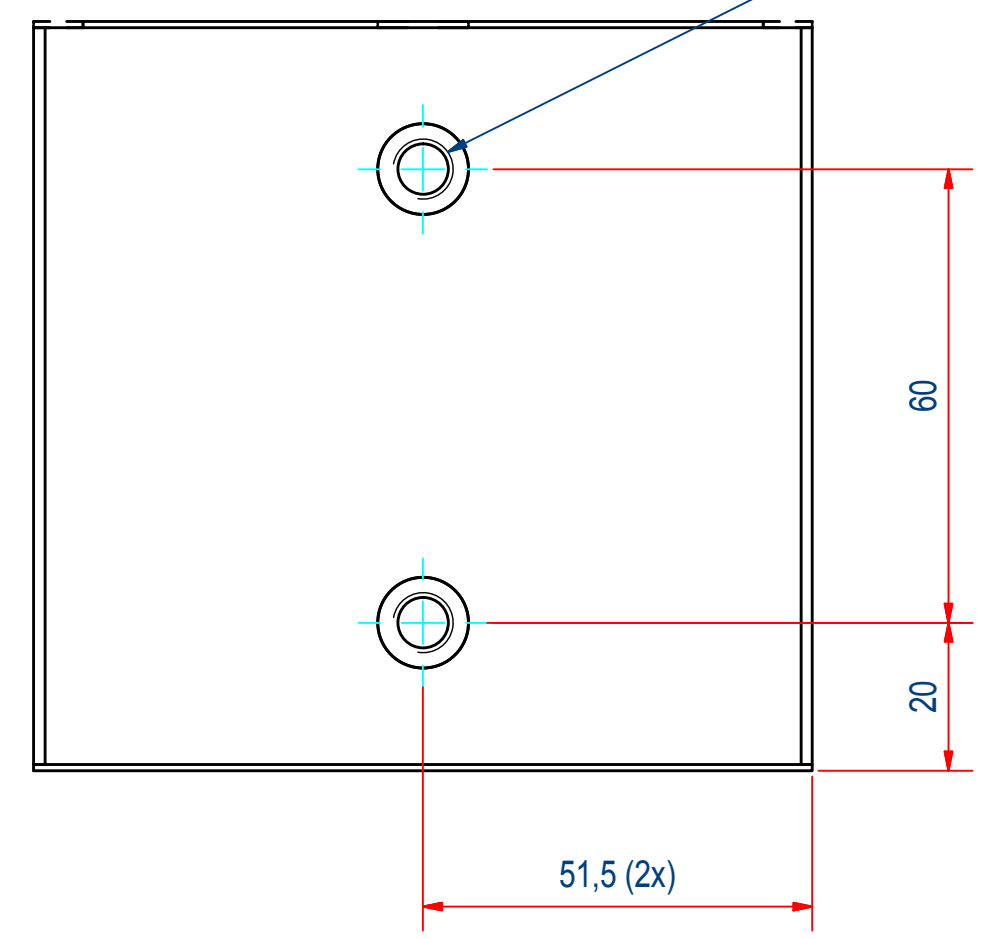
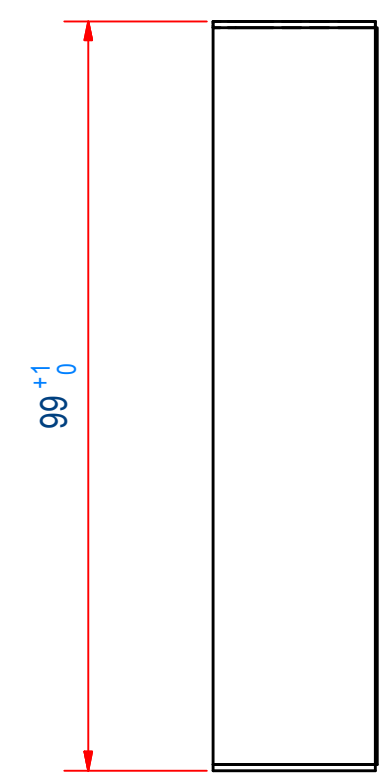
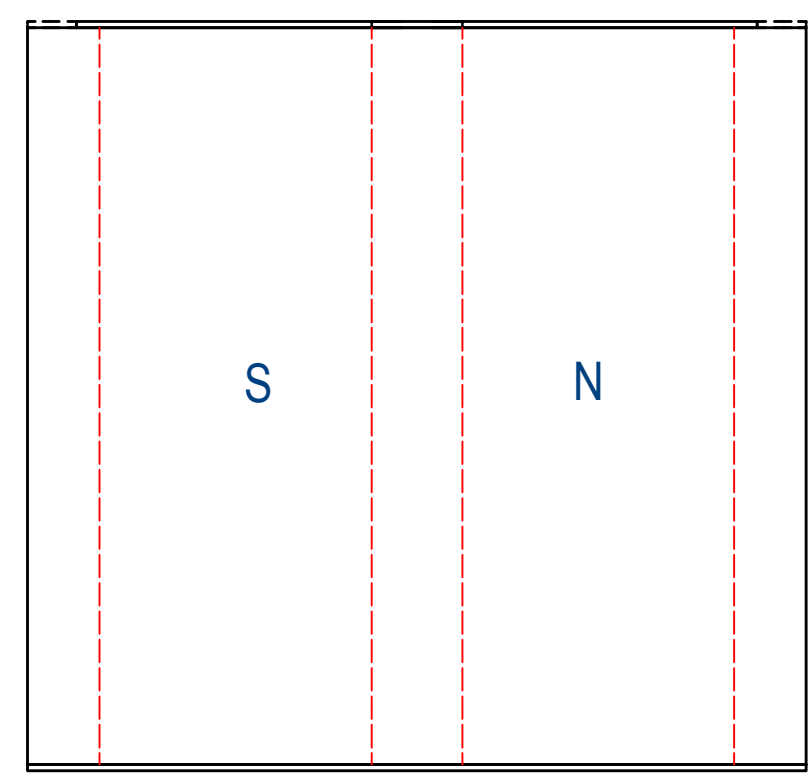
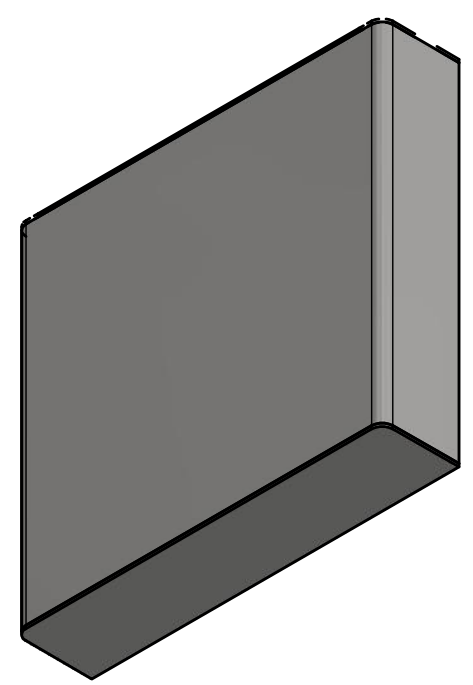


REV	DATE	BY	DESCRIPTION
-	2-4-2014	BS	CONVERTED TO INVENTOR, OLD REV A



ITEM	QTY	PART NUMBER	DESCRIPTION	Dimensions
1	1	E0015218	WELD AND MOULDING ASSY	
RAW MAT.	1			
	QTY	MAT. NUMBER	MAT. DESCRIPTION	LENGTH (mm) WIDTH (mm)
Sheet: A2		Extra info: WATERTIGHT AISI		General tolerance: ISO 2768- mK
Drawn: BS		Weight (kg): 3,4		Drawn according: ISO268; ISO1101; ISO2553
Date: 2-4-2014		GOUDSMIT MAGNETIC SYSTEMS <small>© All rights reserved. Reproduction is not permitted without written permission of GOUDSMIT Magnetic Systems BV</small>		Status: Standard
Spare part: False				Customer reference number:
Quick search: TGAA43		File number: TGAA010043		Rev: -
Description: HRA-N-103x22-AA-0100-B-W		Part number: TGAA010043		Rev: -