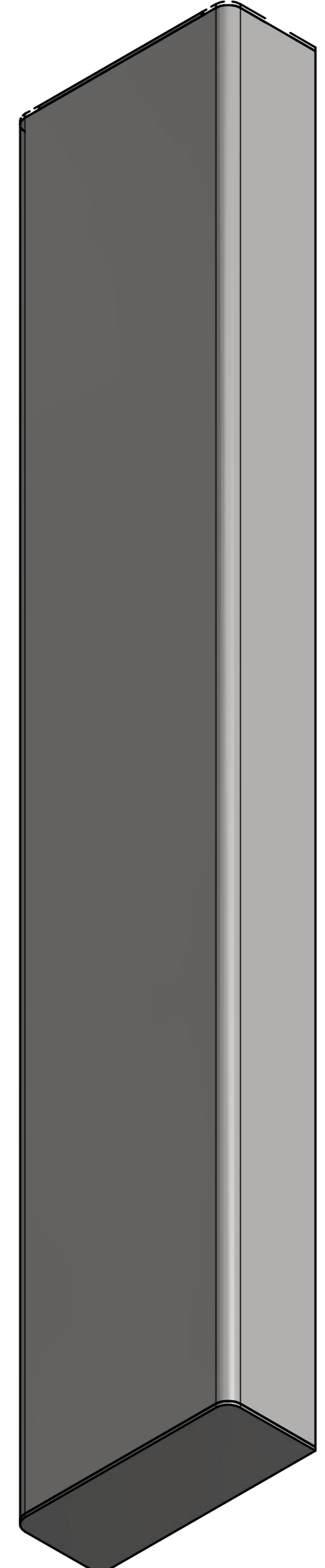
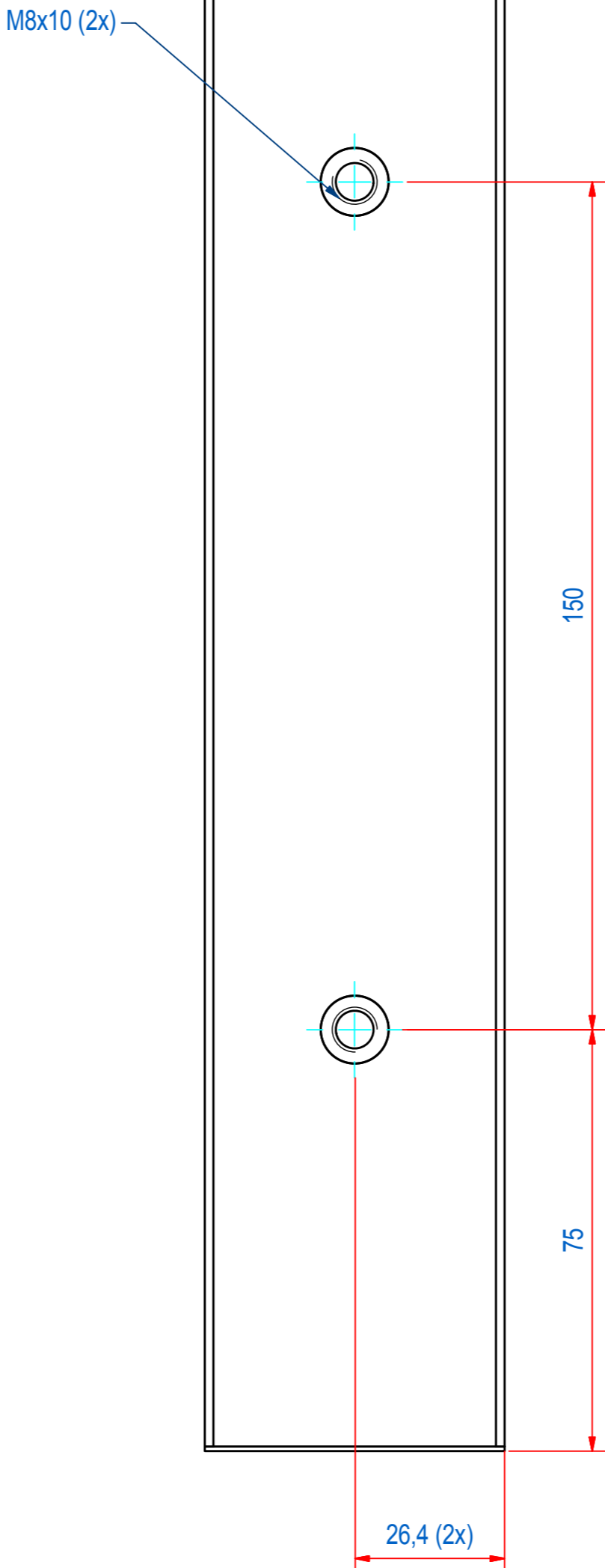
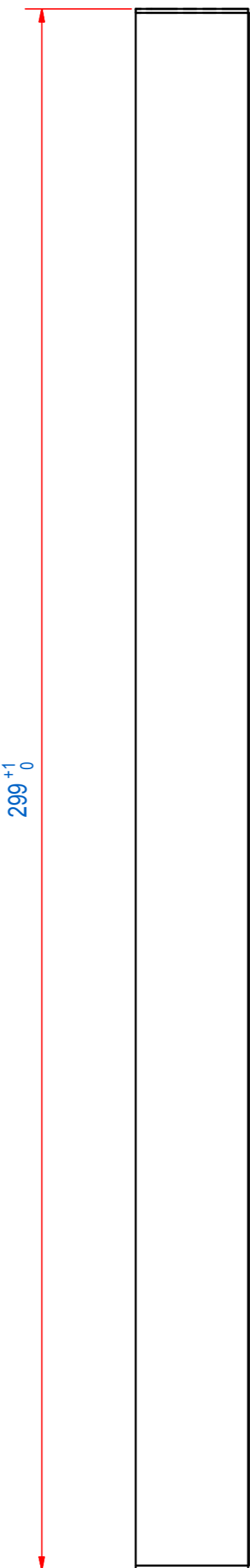
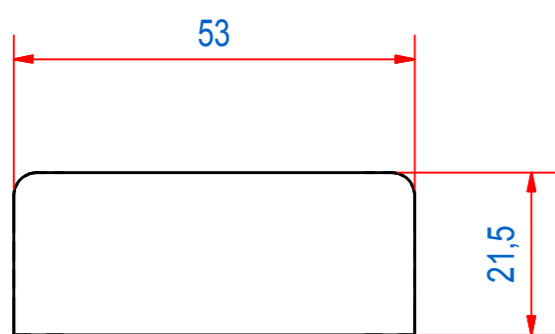
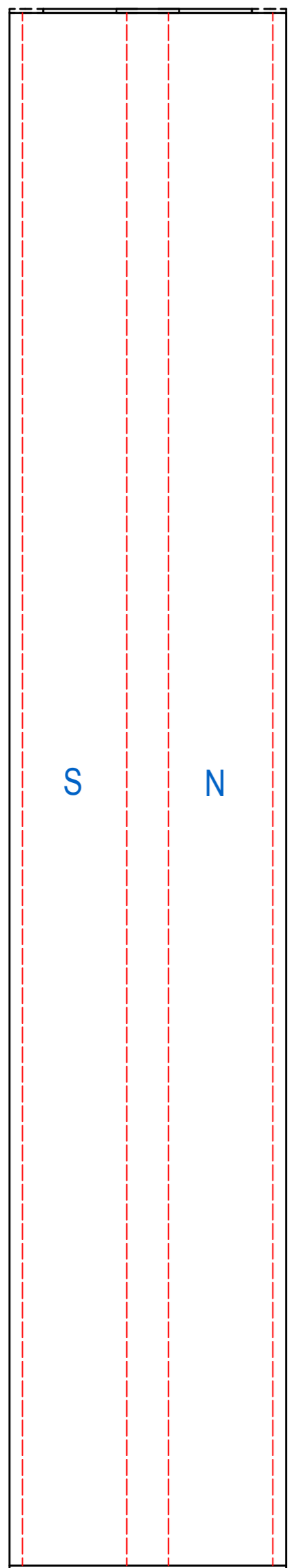


| REV | DATE      | BY | DESCRIPTION                          |
|-----|-----------|----|--------------------------------------|
| -   | 26-3-2014 | BS | CONVERTED TO INVENTOR, OLD REV WAS C |



| ITEM                                  | QTY | PART NUMBER   | DESCRIPTION            | Dimensions                                |            |
|---------------------------------------|-----|---|------------------------|---|------------|
| 1                                     | 1   | E0014981  | WELD AND MOULDING ASSY |   |            |
| RAW MAT.                              | 1   |   |                        | LENGTH (mm)                               | WIDTH (mm) |
| Sheet: A2                             |     | Extra info: WATERTIGHT AISI   |                        | General tolerance: ISO 2768- mK           |            |
| Drawn: BS                             |     | Weight (kg): 3,2  |                        | Drawn according: ISO268; ISO1101; ISO2553 |            |
| Date: 26-3-2014                       |     | <b>GOUDSMIT</b><br>MAGNETIC SYSTEMS<br><small>© All rights reserved. Reproduction is not permitted without written permission of GOUDSMIT Magnetic Systems BV</small> |                        | Status: Standard                          |            |
| Spare part: False                     |     |   |                        | Customer reference number:                |            |
| Quick search: TGAA41                  |     | File number: TGAA030041   |                        | Rev: -                                    |            |
| Description: HRA-N-053x22-AA-0300-B-W |     | Part number: TGAA030041   |                        | Rev: -                                    |            |