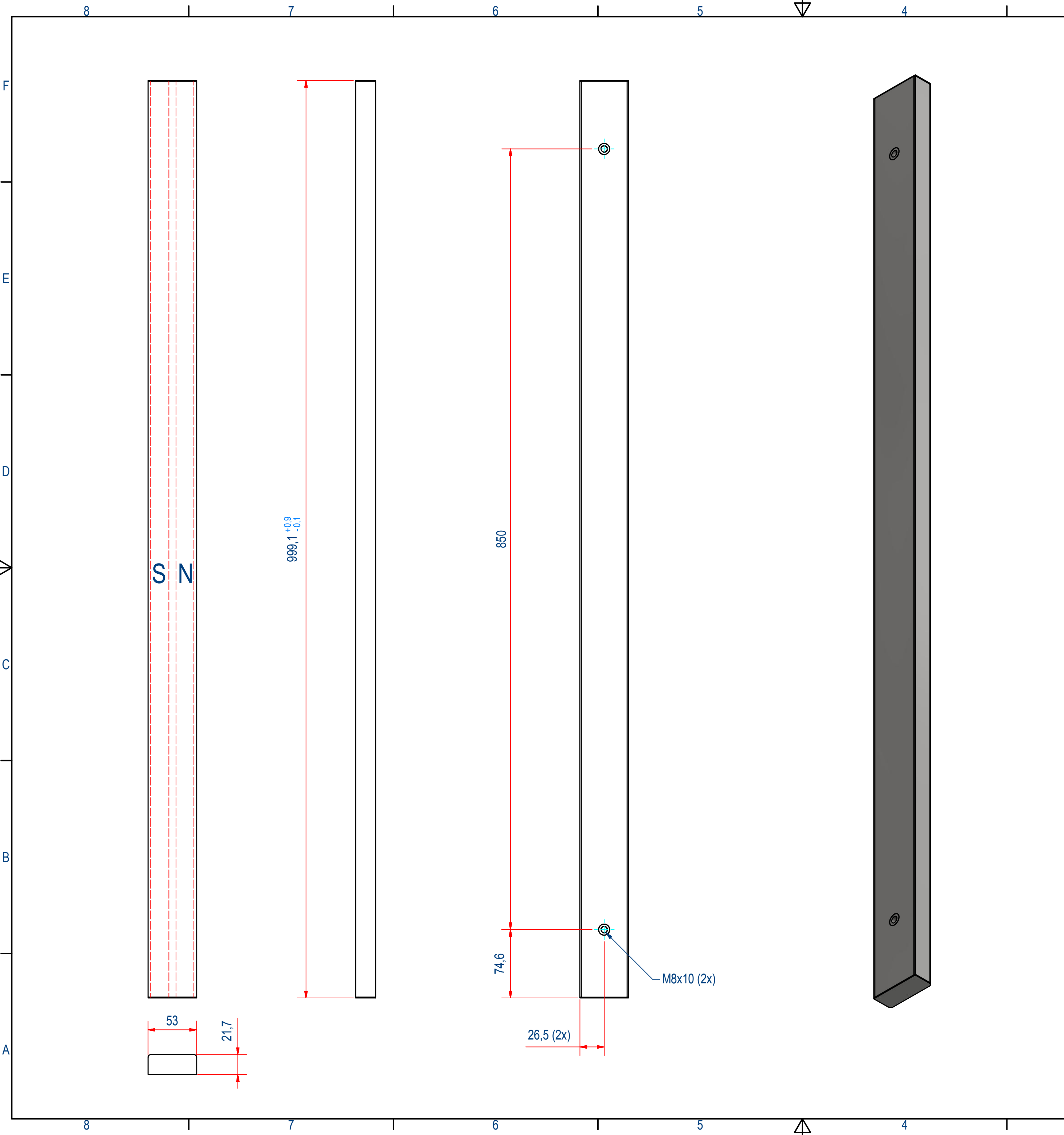


REV	DATE	BY	DESCRIPTION
-	25-10-2013	PB	NEW VAULT, NEW REVISION. ALL ITEMS WERE IN 1 DWG



ITEM	QTY	PART NUMBER	DESCRIPTION	Dimensions
5	1	E0006783	MOULDING TG41	
4	1	E0006782	PLATE FOR COVER, FRONT, TG41	
3	1	E0006781	PLATE FOR COVER, FRONT, TG41	
2	1	E0009703	COVER TGA-100041	
1	1	E0009713	MAGN. LAY-OUT	

RAW MAT.	QTY	MAT. NUMBER	MAT. DESCRIPTION	LENGTH (mm)	WIDTH (mm)
⊕	1				

Sheet: <b>A2</b>	Extra info:	General tolerance: <b>ISO 2768 - mK</b>
Drawn: <b>PB</b>	Weight (kg): <b>9,3</b>	Drawn according: <b>ISO268; ISO1101; ISO2553</b>
Date: <b>25-10-2013</b>		Status: <b>Standard</b>
Spare part: <b>False</b>		Customer reference number:
Quick search: <b>TGAA41</b>	© All rights reserved. Reproduction is not permitted without written permission of GOUDSMIT Magnetic Systems BV	File number: <b>TGAA100041</b>
Description: <b>HRA-N-053x22-AA-1000-B-W</b>		Part number: <b>TGAA100041</b>