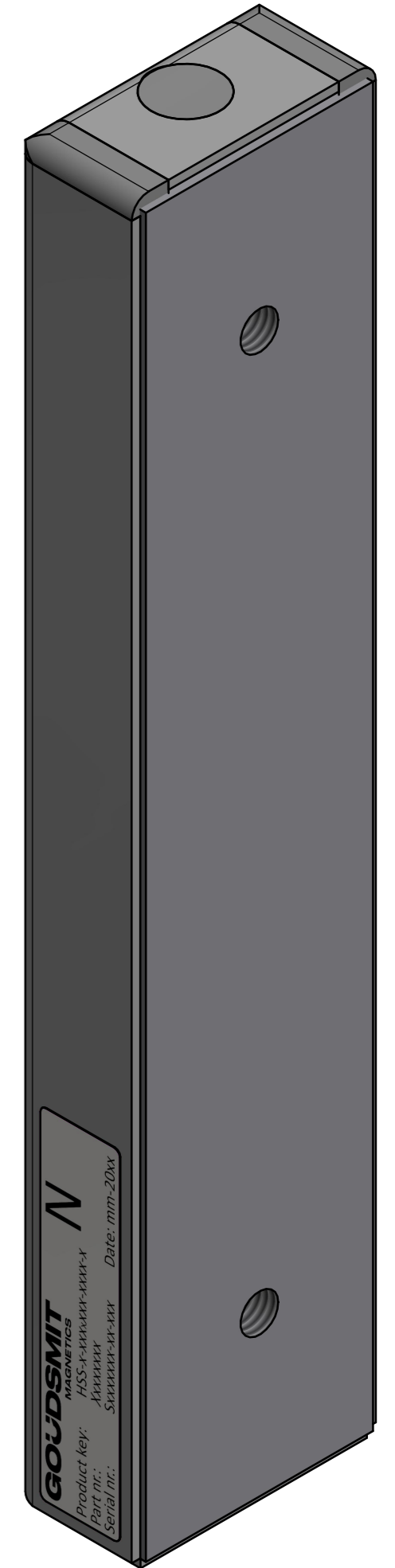
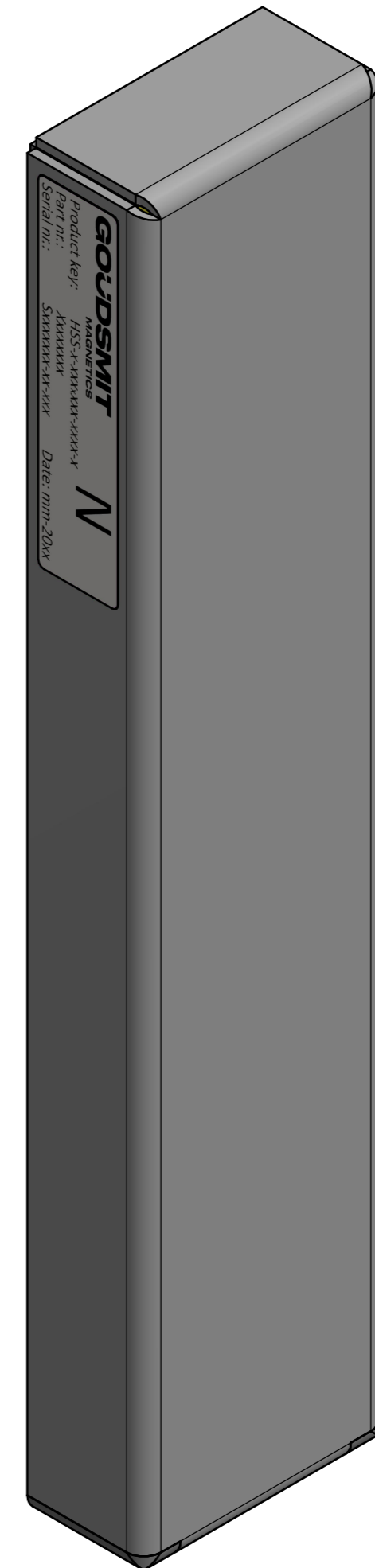
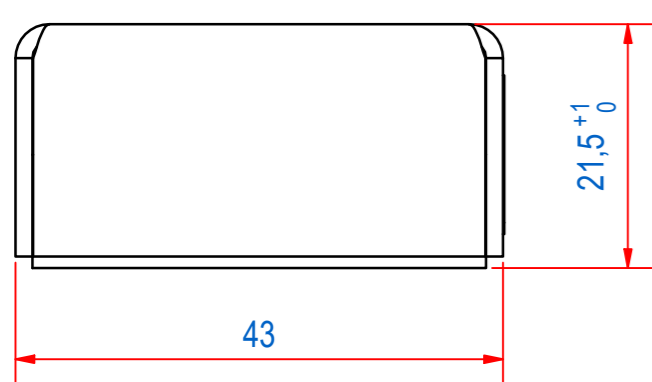
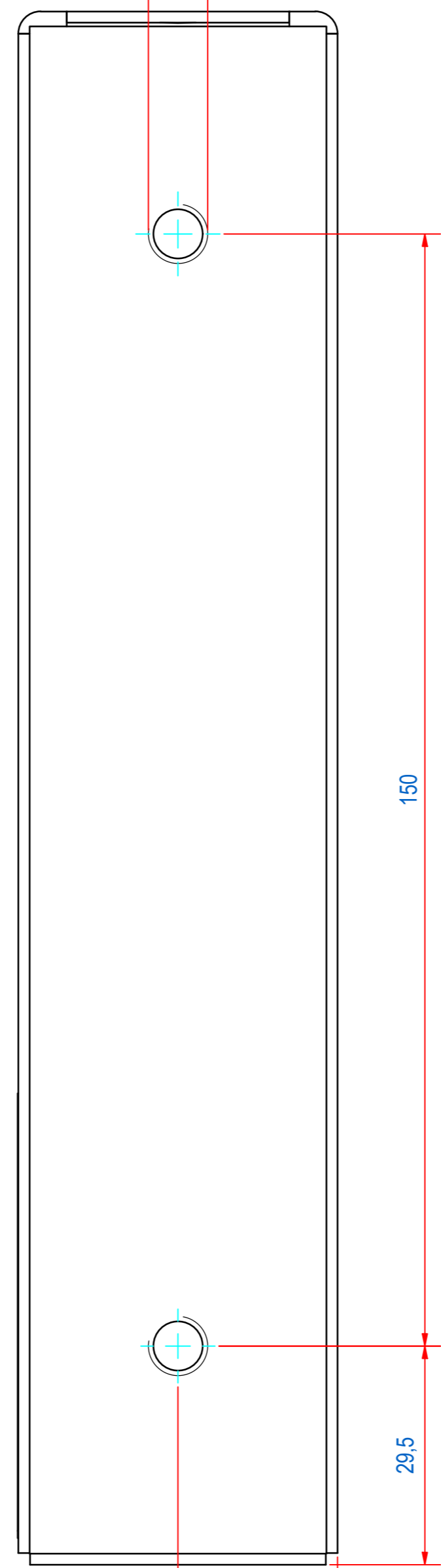
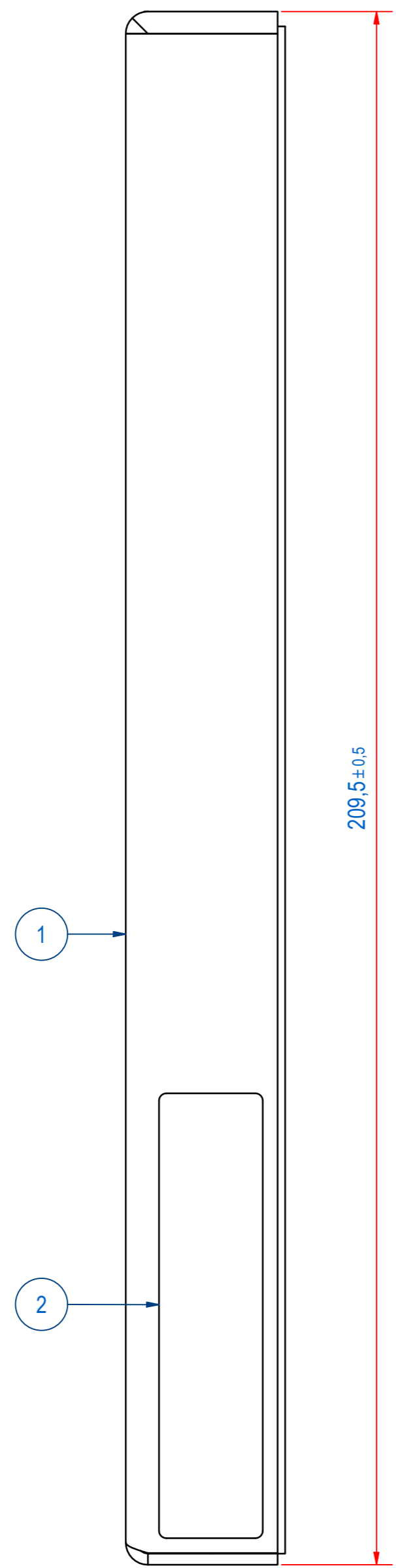
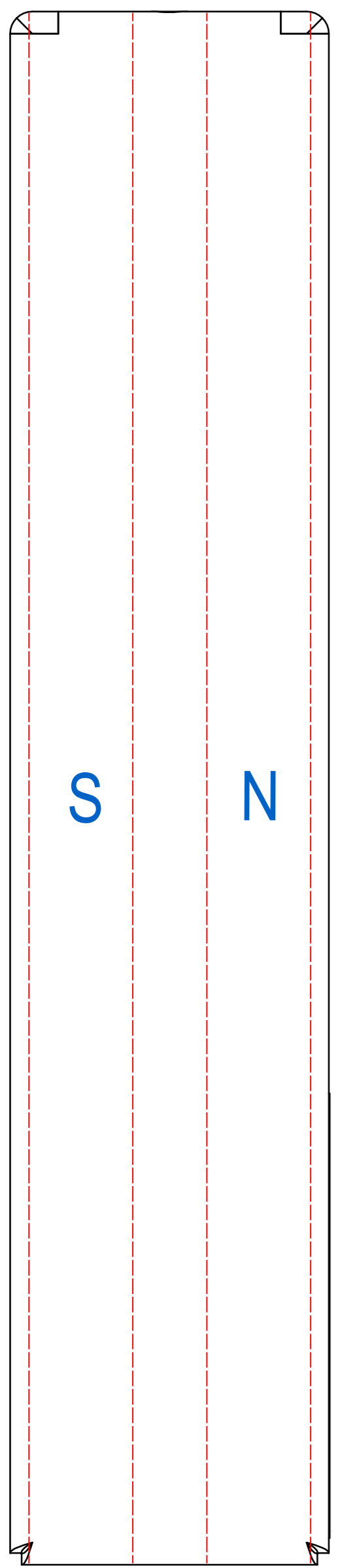


REV	DATE	BY	DESCRIPTION
A	10-6-2014	BS	VIEW ADDED
B	26-9-2022	RW	WELD ASSY ADDED, REVISIONS ALIGNED
C	12-12-2022	DK	SOURCE CODE ADDED, TYPE PLATE ADDED. DIM 209±0.5 WAS 209±1



ITEM	QTY	PART NUMBER	DESCRIPTION	Dimensions
2	1	E0156369	HSS-TYPE PLATE STICKER	
1	1	E0155031	HSS-WELD AND MOULD ASSY	
RAW MAT.	1			
Quantity		Material Number	Material Description	Length (mm) Width (mm)
Sheet:	A2	Extra info:	SHEET SEPARATOR	
Weight (kg):	2,3	General tolerance:	ISO 2768 - mK	
Date:	18-2-2014	Drawn according:	ISO268; ISO1101; ISO2553	
Spare part:	False	Status:	Standard	
Source:	MC-C	Customer reference number:		
Quick search:	TGSP00	Document number:	TGSP000210	Doc.Rev: C
Description:	HSS-N-BA-043x022-0210-B		Part number:	TGSP000210
			Rev:	C



© All rights reserved. Reproduction is not permitted without written permission of GOUDSMIT Magnetic Systems BV