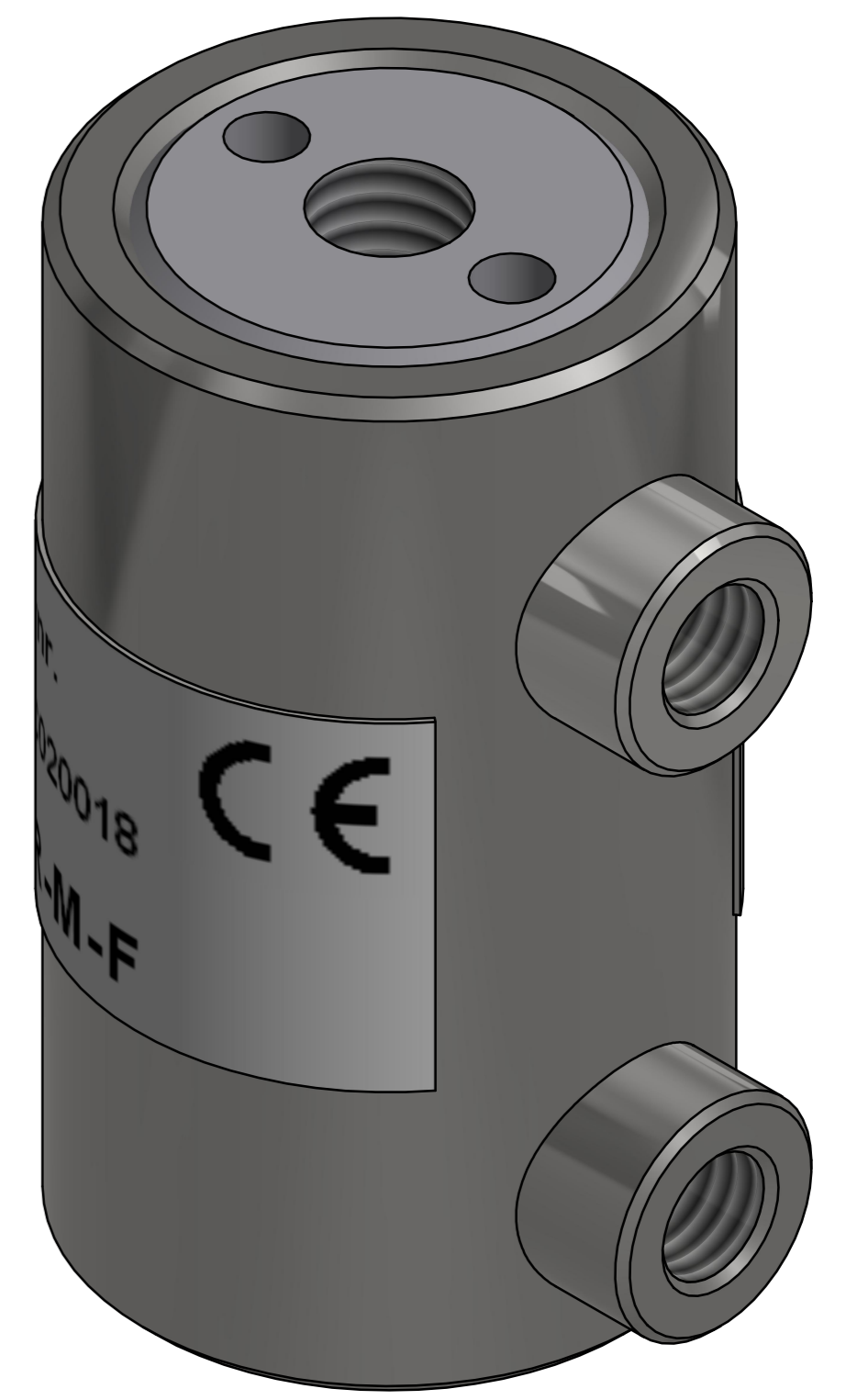
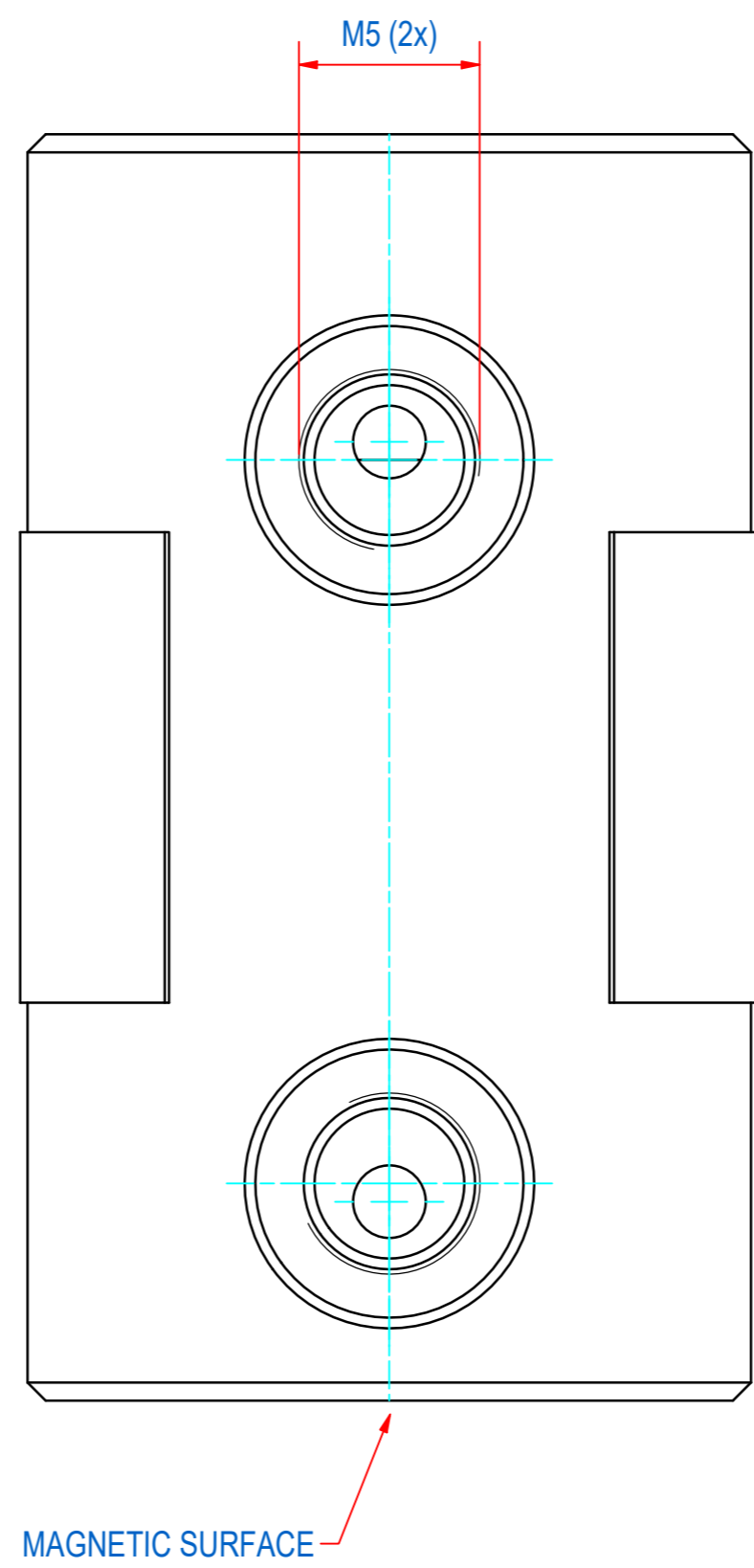
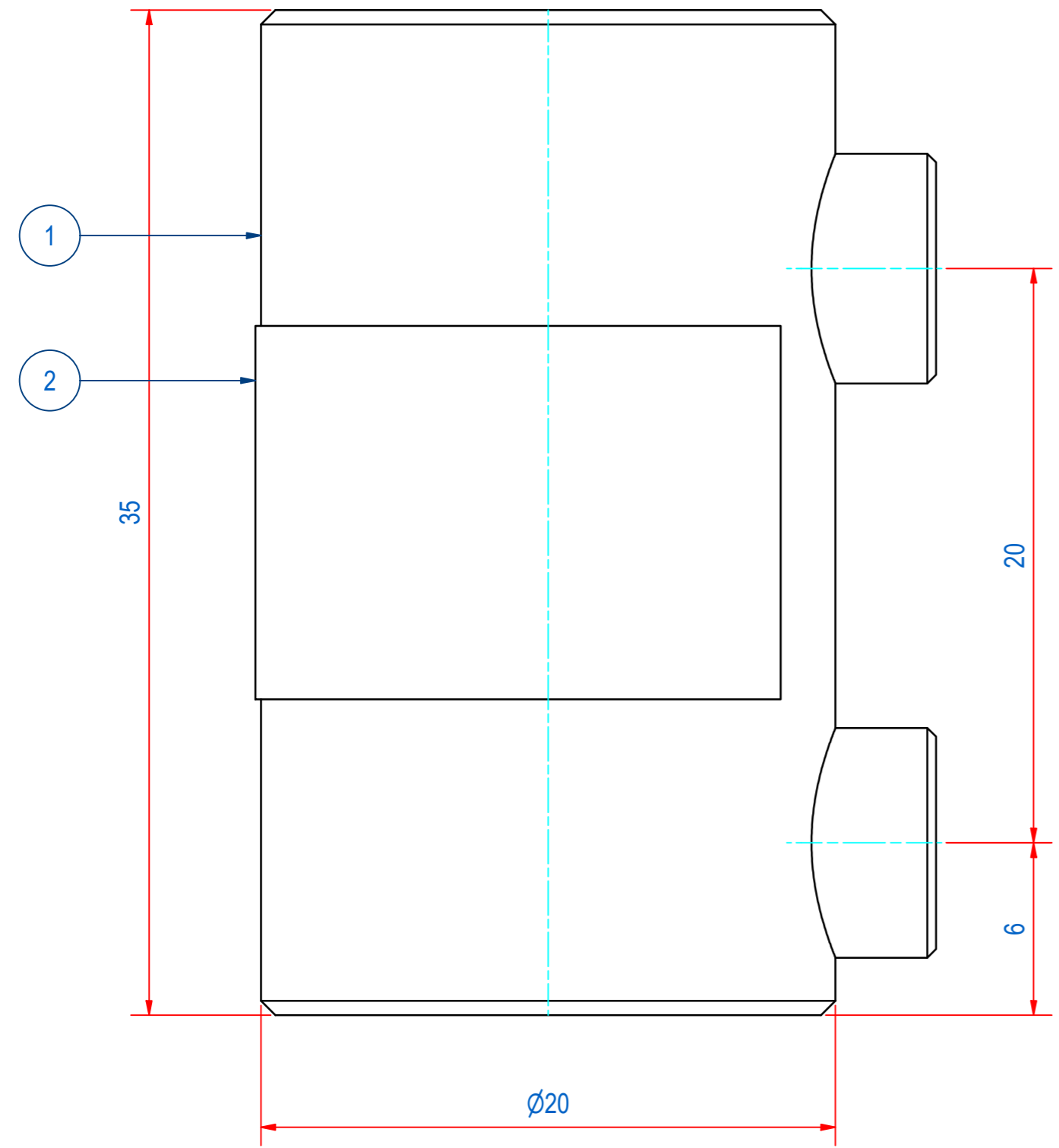
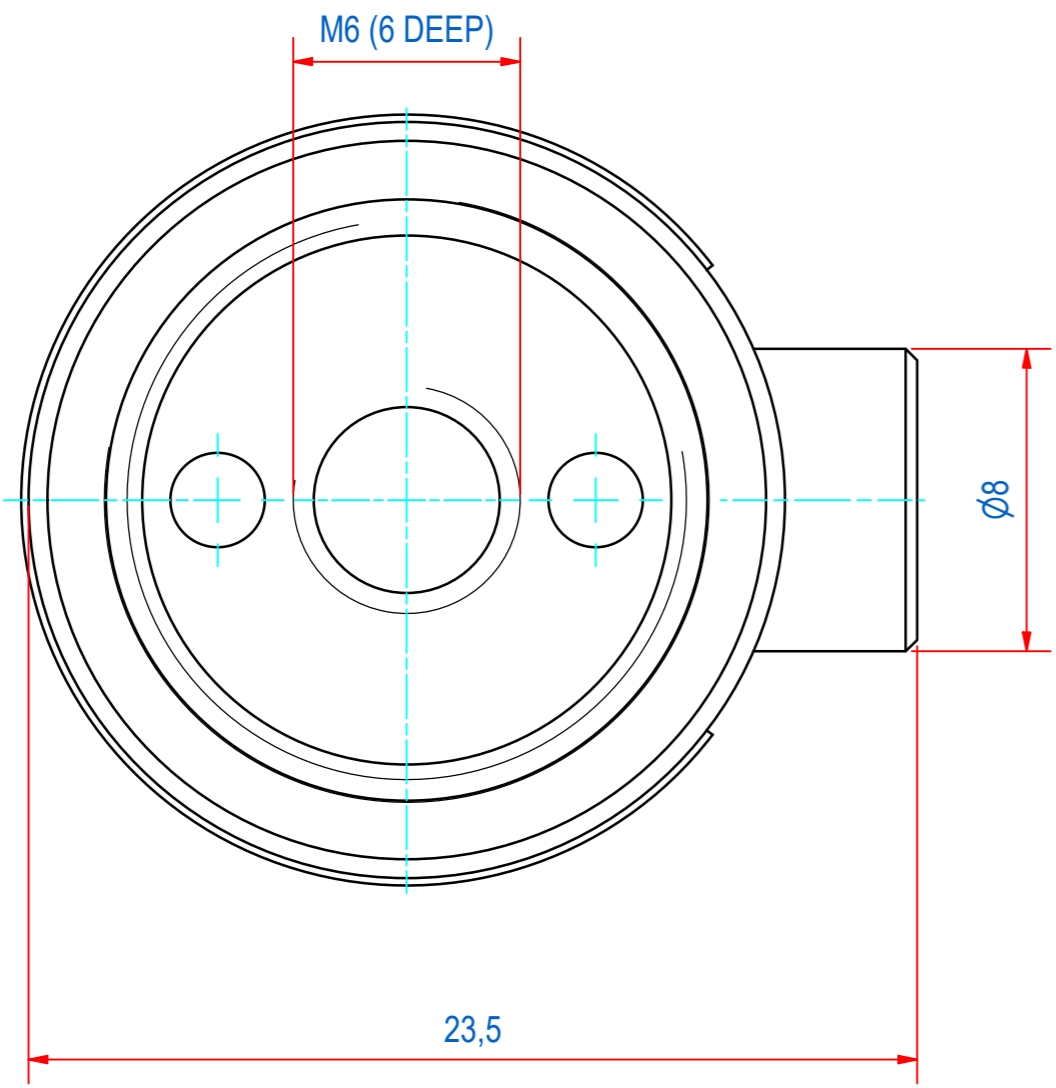


REV	DATE	BY	DESCRIPTION
-	10-4-2013	BS	NEW VAULT, NOTHING CHANGED, IS EQUAL TO OLD REVISION C



ITEM	QTY	PART NUMBER	DESCRIPTION	Dimensions
2	1	E0037918	STICKER TPGC020018	
1	1	M56335	MOUNTING ASSY TPGC020018	
RAW MAT.	1			
Quantity		Material Number	Material Description	Length (mm) Width (mm)
Sheet:	A2	Extra info:	General tolerance:	ISO 2768- mK
Drawn:	PB	Weight (kg):	0.060	Drawn according:
Date:	17-8-2005	Source:	MC-C	ISO268; ISO1101; ISO2553
Spare part:	False	Quick search:	TPGC020	Status:
Description:	HGR-RO-020-FL-R-M-F			Standard
				Customer reference number:
				Document number:
				TPGC020018
				Doc.Rev:
				TPGC020018
				Part number:
				TPGC020018
				Rev:
				-



© All rights reserved. Reproduction is not permitted without written permission of GOUDSMIT Magnetic Systems BV