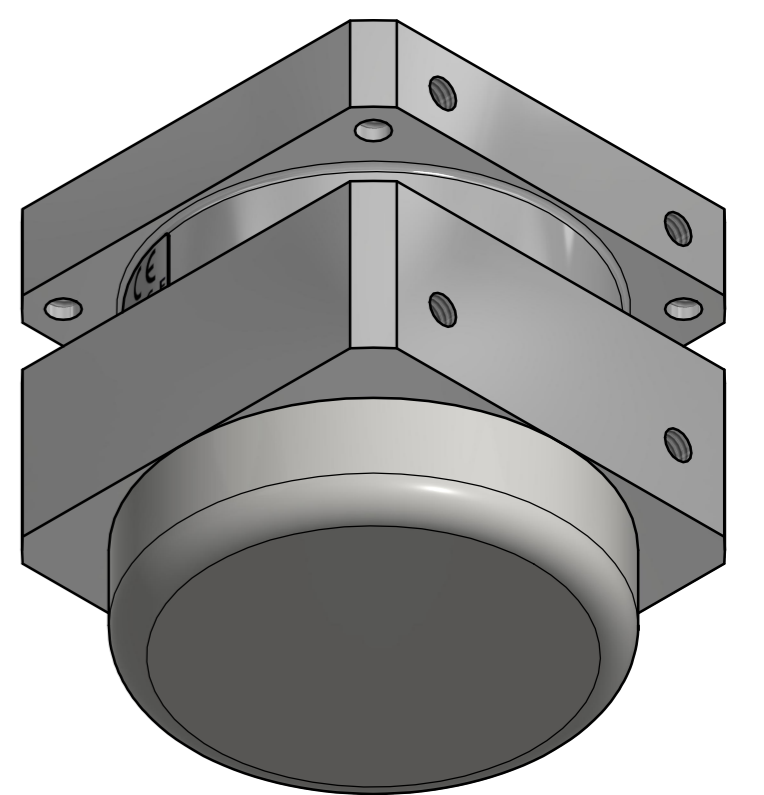
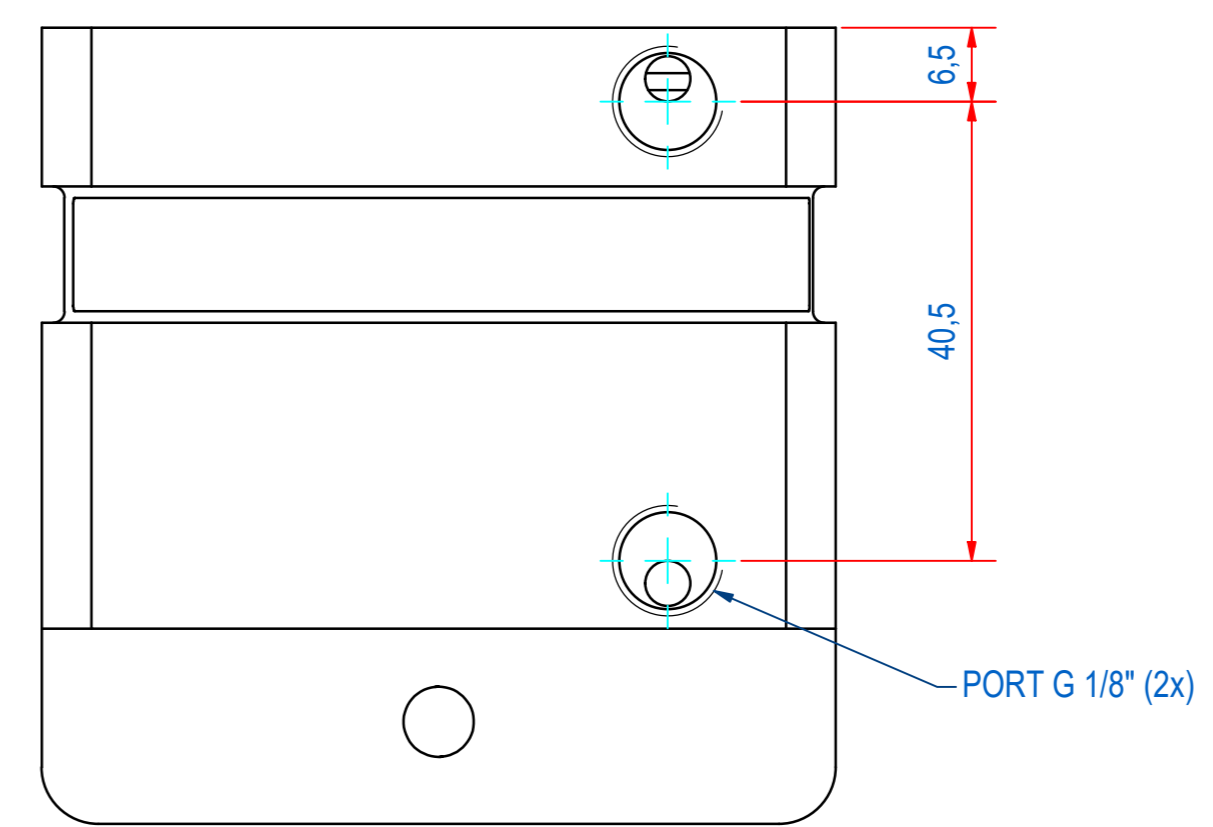
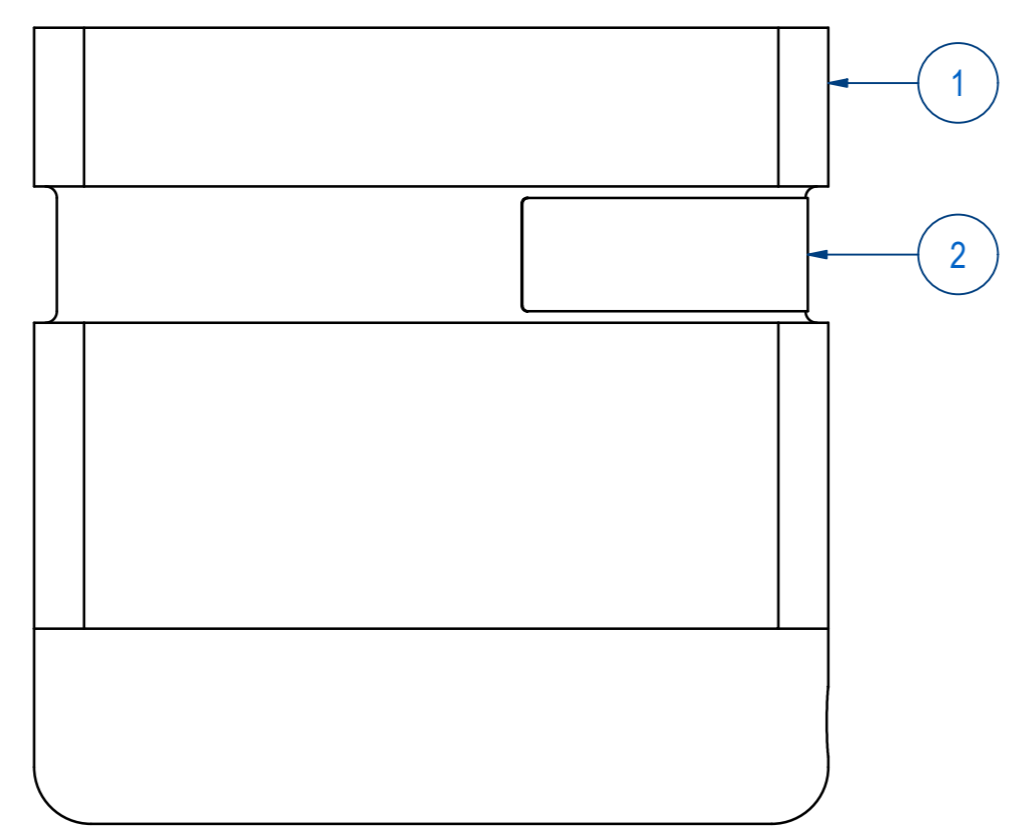
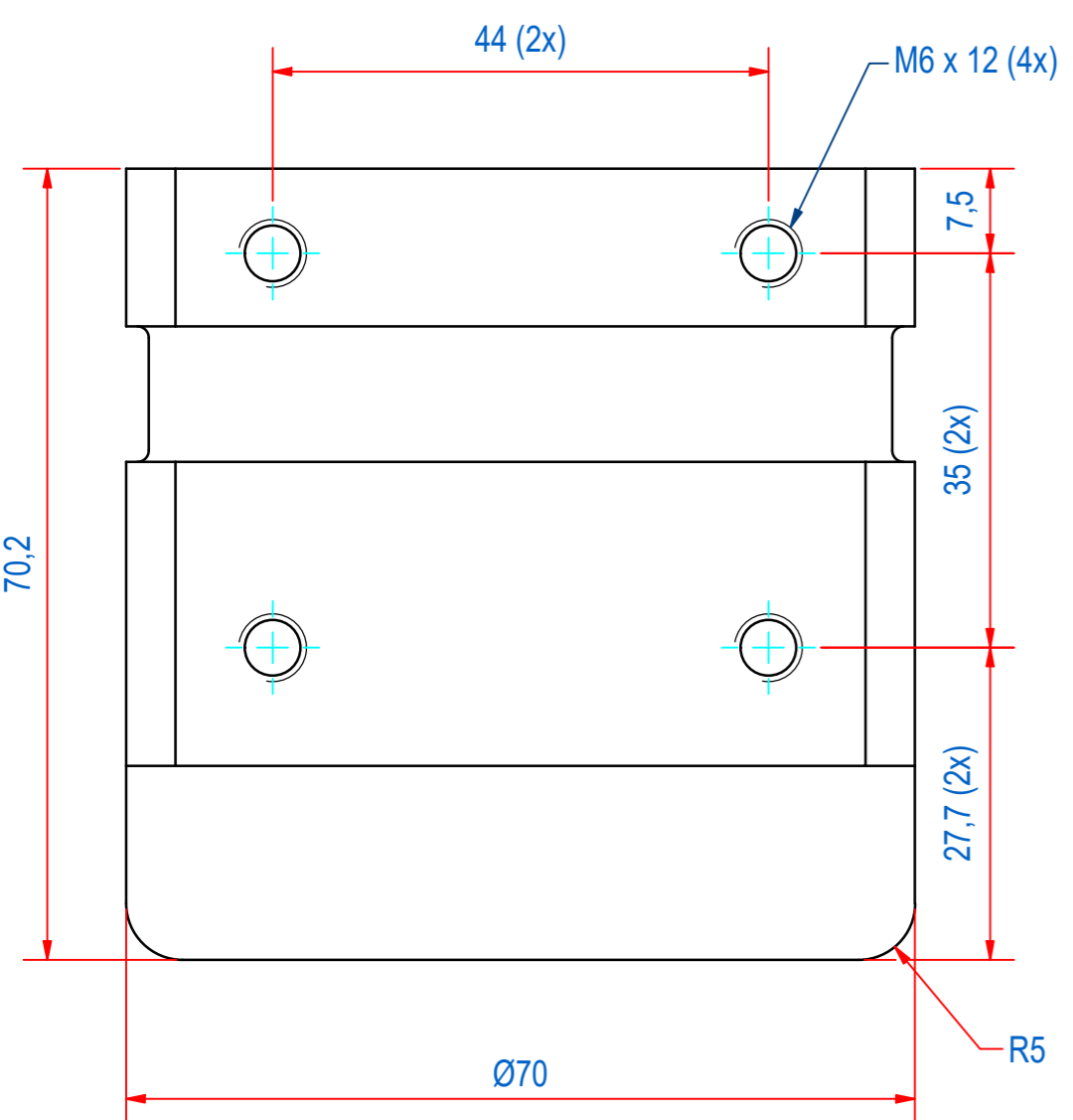
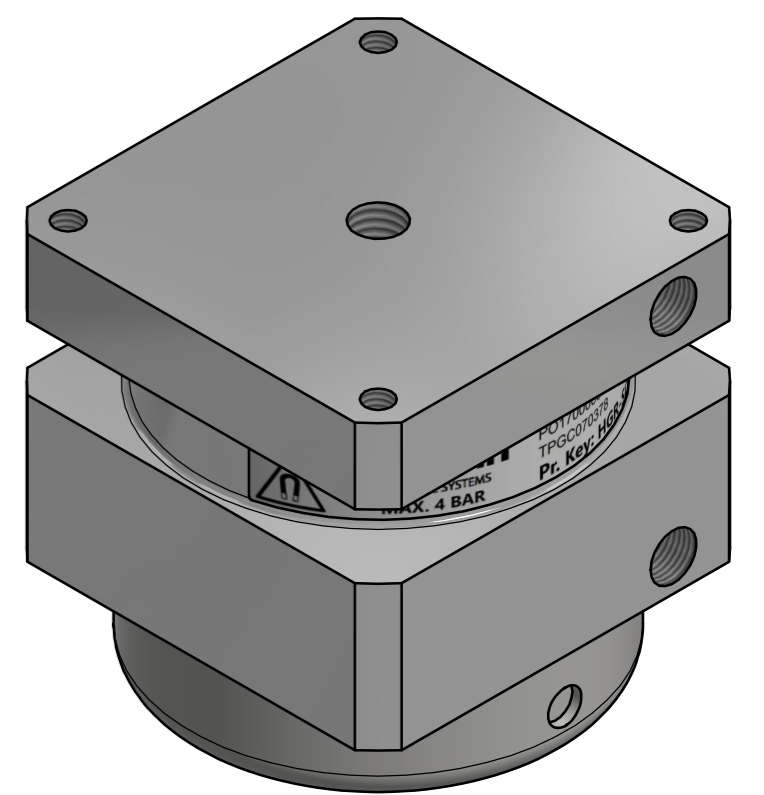
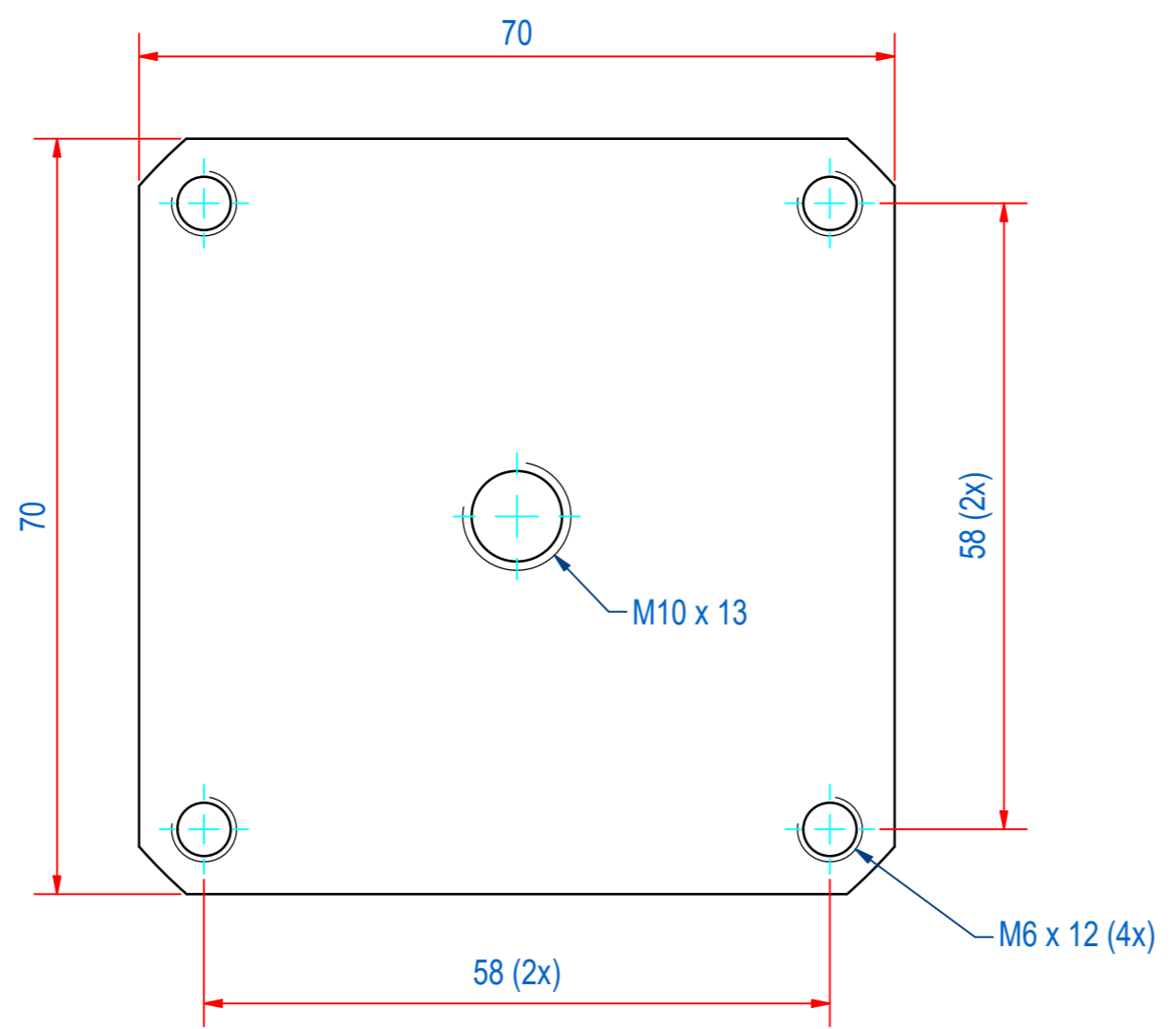


REV	DATE	BY	DESCRIPTION
-	9-7-2013	BS	NEW VAULT, NOTHING CHANGED, IS EQUAL TO OLD REVISION A
A	2-12-2013	PB	E0010955 WAS A190494
B	16-10-2014	PB	E0016901 WAS E0010955



ITEM	QTY	PART NUMBER	DESCRIPTION	Dimensions
2	1	E0038041	STICKER TPGC070378	
1	1	E0016901	MOUNTING ASSY TPGC070 HT	
RAW MAT.	Quantity	Material Number	Material Description	Length (mm) Width (mm)
	1			
Sheet: A2		Extra info:		General tolerance: ISO 2768- mK
Drawn: BS		Weight (kg): 0.78		Drawn according: ISO268; ISO1101; ISO2553
Date: 10-12-2012		Source: MC-C		Status: Standard
Spare part: False		Quick search: TPGC070HT		Customer reference number:
Description: HGR-SQ-070-FL-RH-G-F		Part number: TPGC070378		Document number: E0029261 Doc.Rev: B
				Rev: B