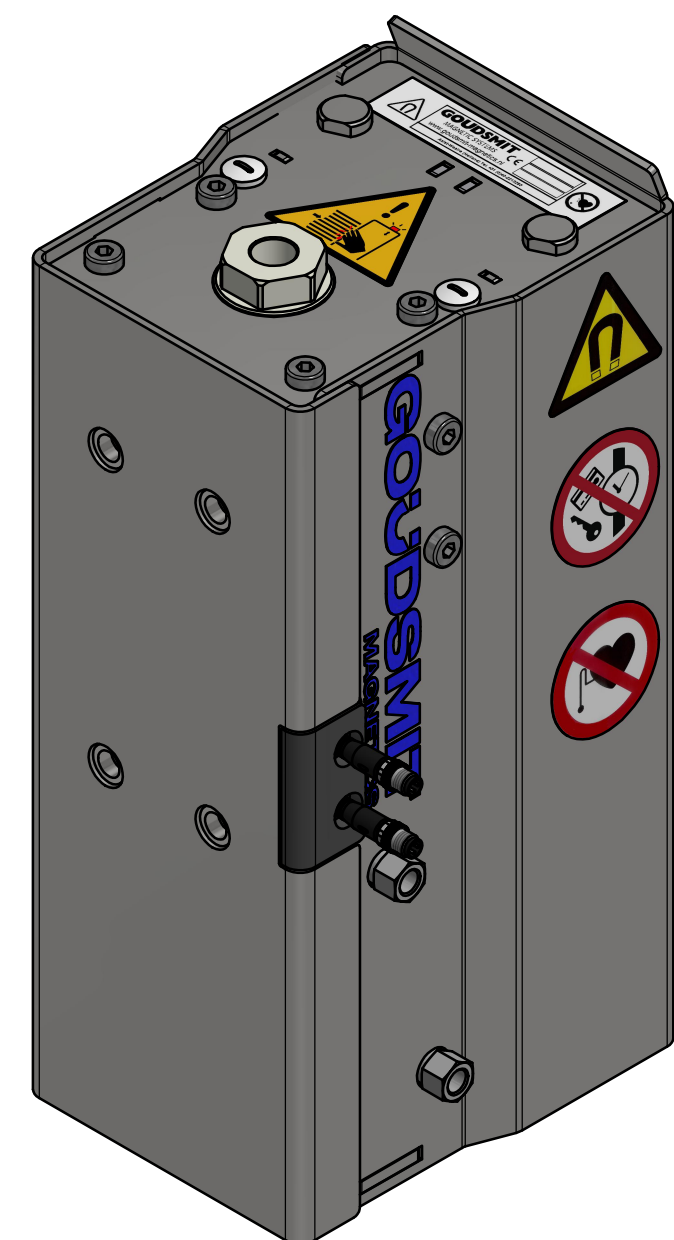
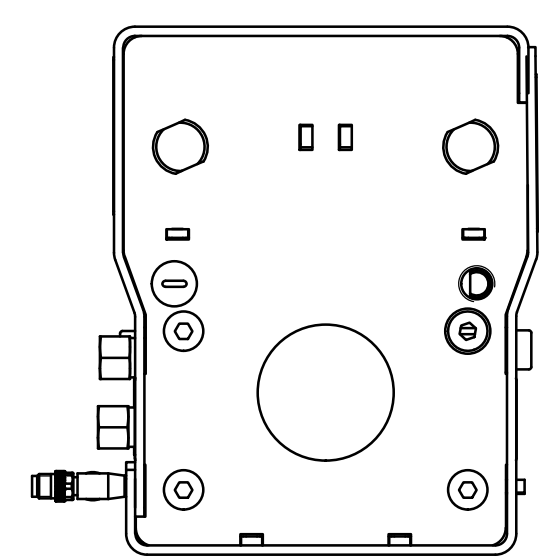
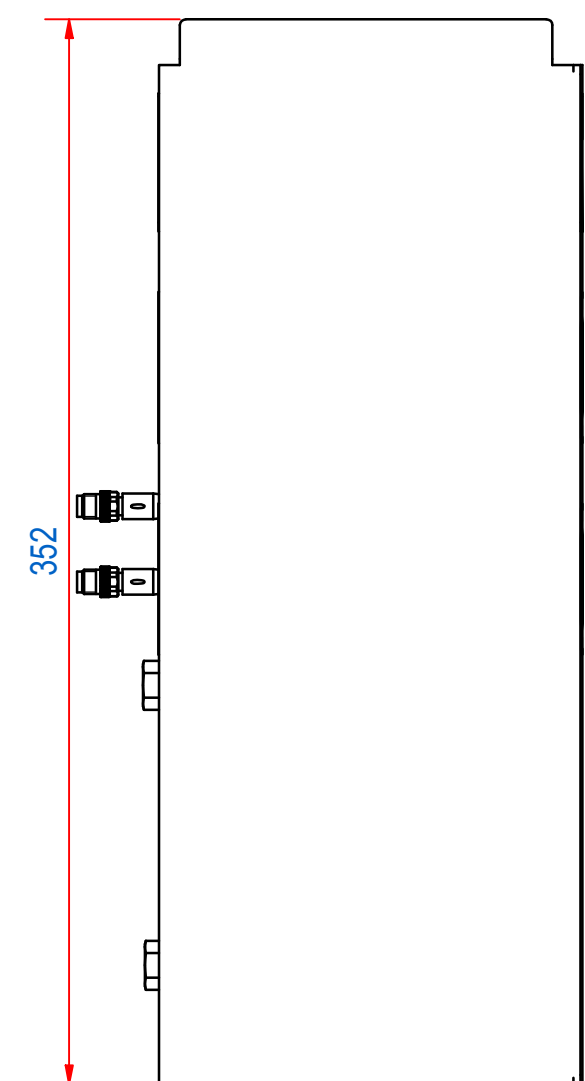
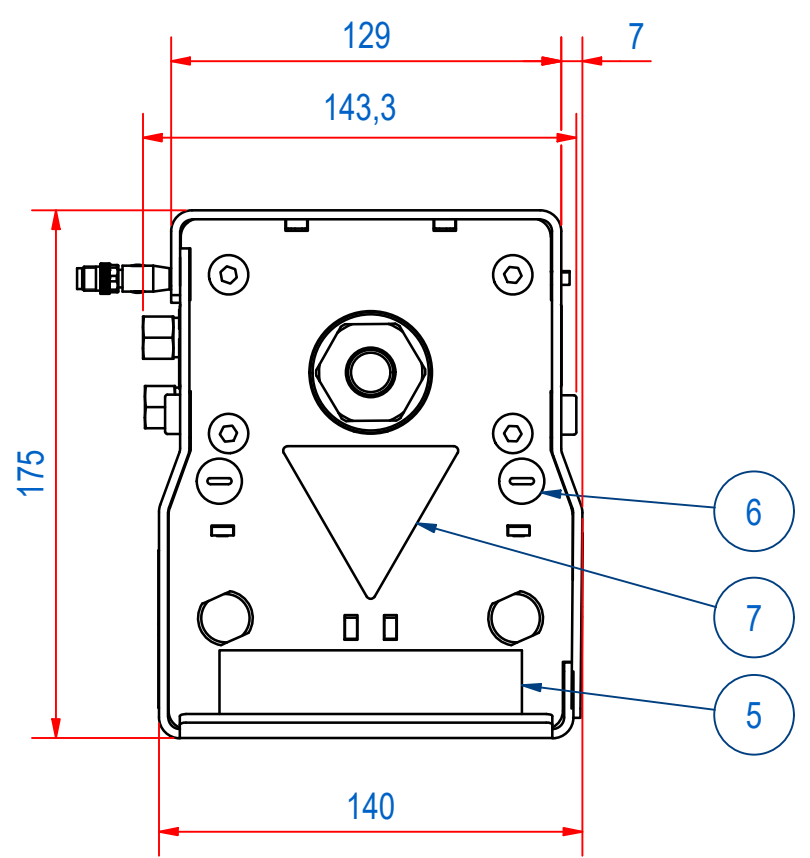
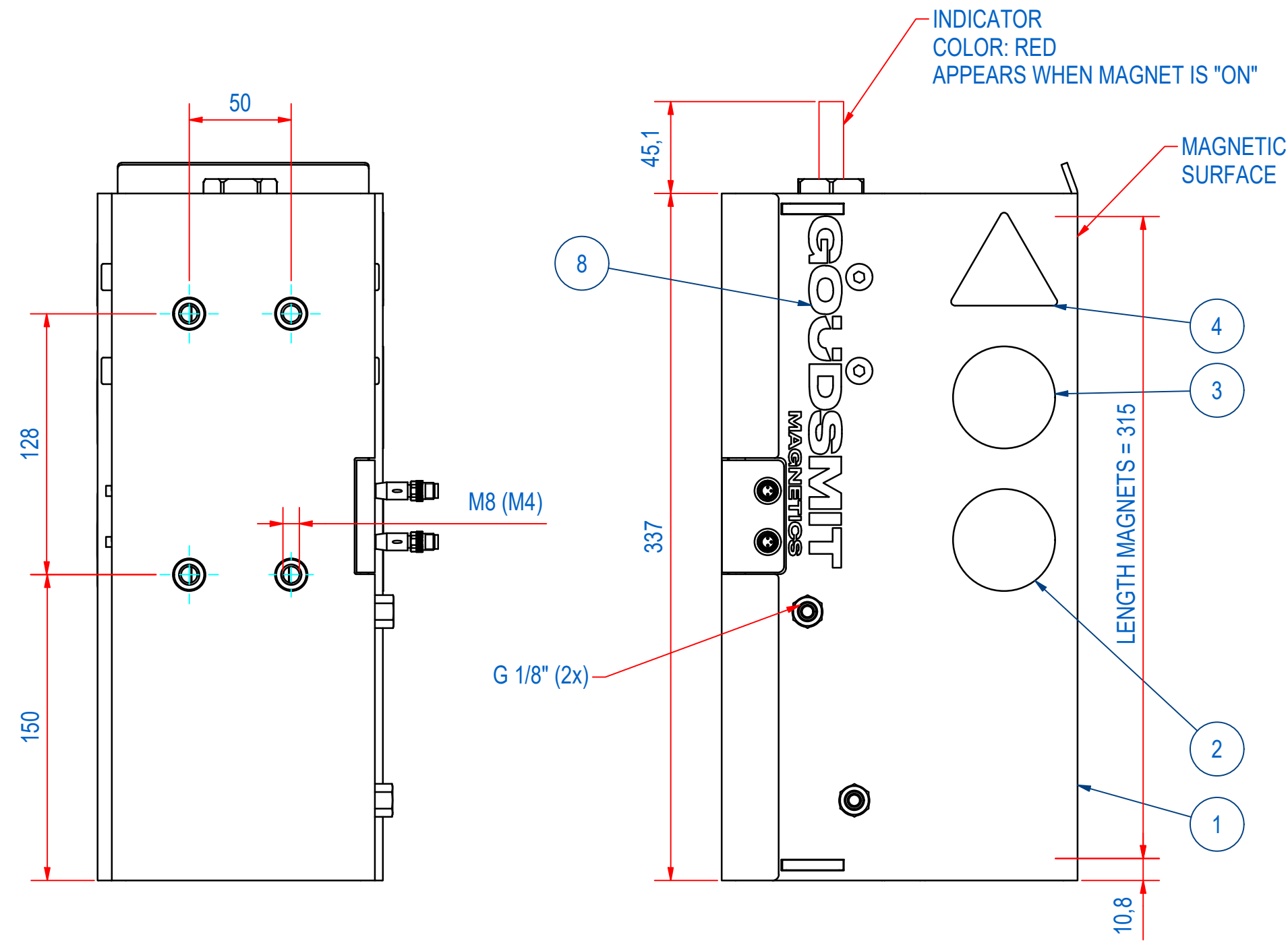


DOC.NR.	REV	DATE	BY	DESCRIPTION
TPSP123301	C	20-1-2020	GS	SENSORS + STICKER ADDED
TPSP123301	D	25-2-2022	GS	TEXT OPERATING PRESSURE 5-10 BAR ADDED
TPSP123301	E	3-2-2023	LH	SOURCE CODE ADDED



OPERATING PRESSURE 5 - 10 Bar

ITEM	QTY	PART NUMBER	DESCRIPTION	Dimensions
8	1	E0127201	STICKER GOUDSMIT W172 H26	
7	1	E0109252	STICKER SHEET SEP WARNING small	
6	4	EIYQ290012	DOME PLUG PA V-N-FS M12x1.5 GR	
5	1	P190398	STICKER GOUDSMIT 100X23	
4	2	1000.20030	STICKER MAGNETIC FIELD 50mm	
3	2	1000.20055	STICKER ARTICLES FORBID D50	
2	2	1000.20056	STICK. PACEMAKER FORB. D=50	
1	1	E0087357	HSS-ASSY SHEET SEPARATOR 337	

RAW MAT.	Quantity	Material Number	Material Description	Length (mm)	Width (mm)
	1				
Sheet: A2		Extra info: BRAM		General tolerance: ISO 2768 - mK	
Drawn: GS		Weight (kg): 24		Drawn according: ISO268; ISO1101; ISO2553	
Date: 20-6-2019		Source: MC-C		Status: Standard	
Spare part: False		Quick search: TPSP120		Customer reference number:	
Description: HSS-N-PF-140x176-0337-B		© All rights reserved. Reproduction is not permitted without written permission of GOUDSMIT Magnetic Systems BV		Document number: TPSP123301 Doc.Rev: E	
				Part number: TPSP123301 Rev: E	