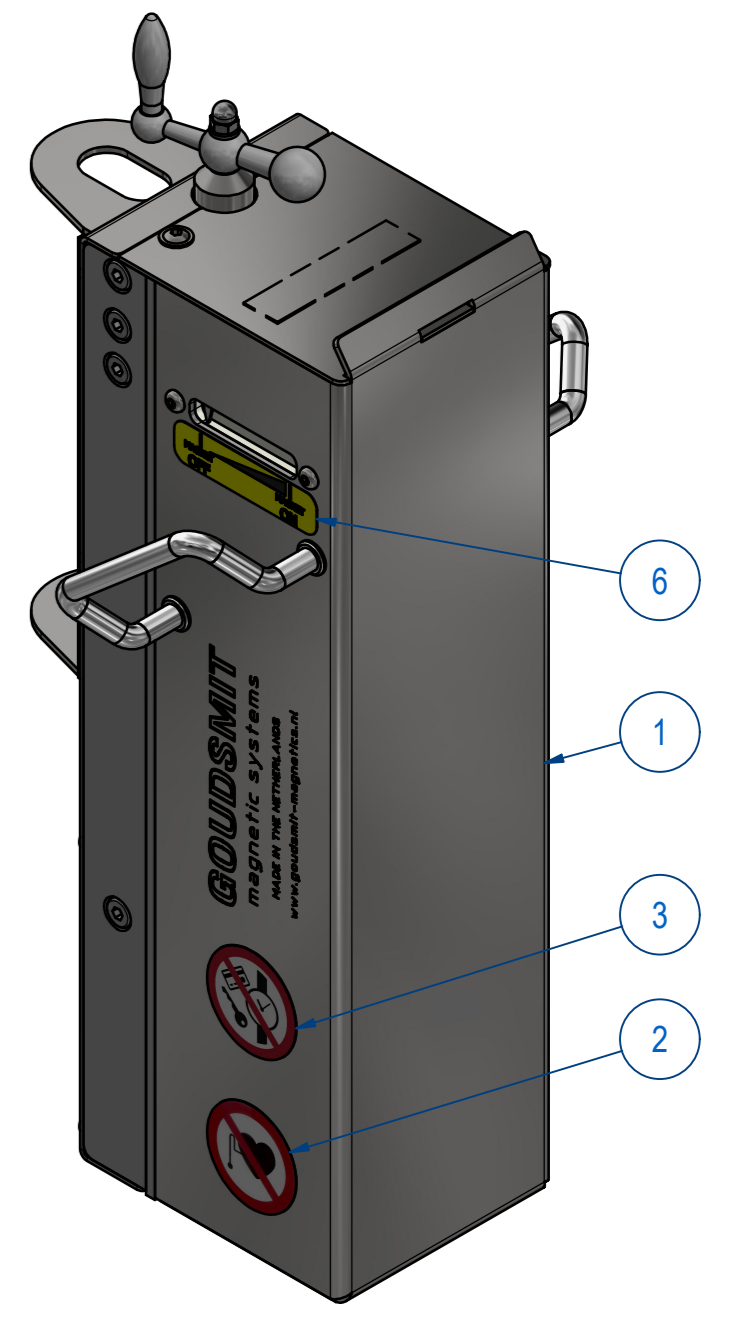
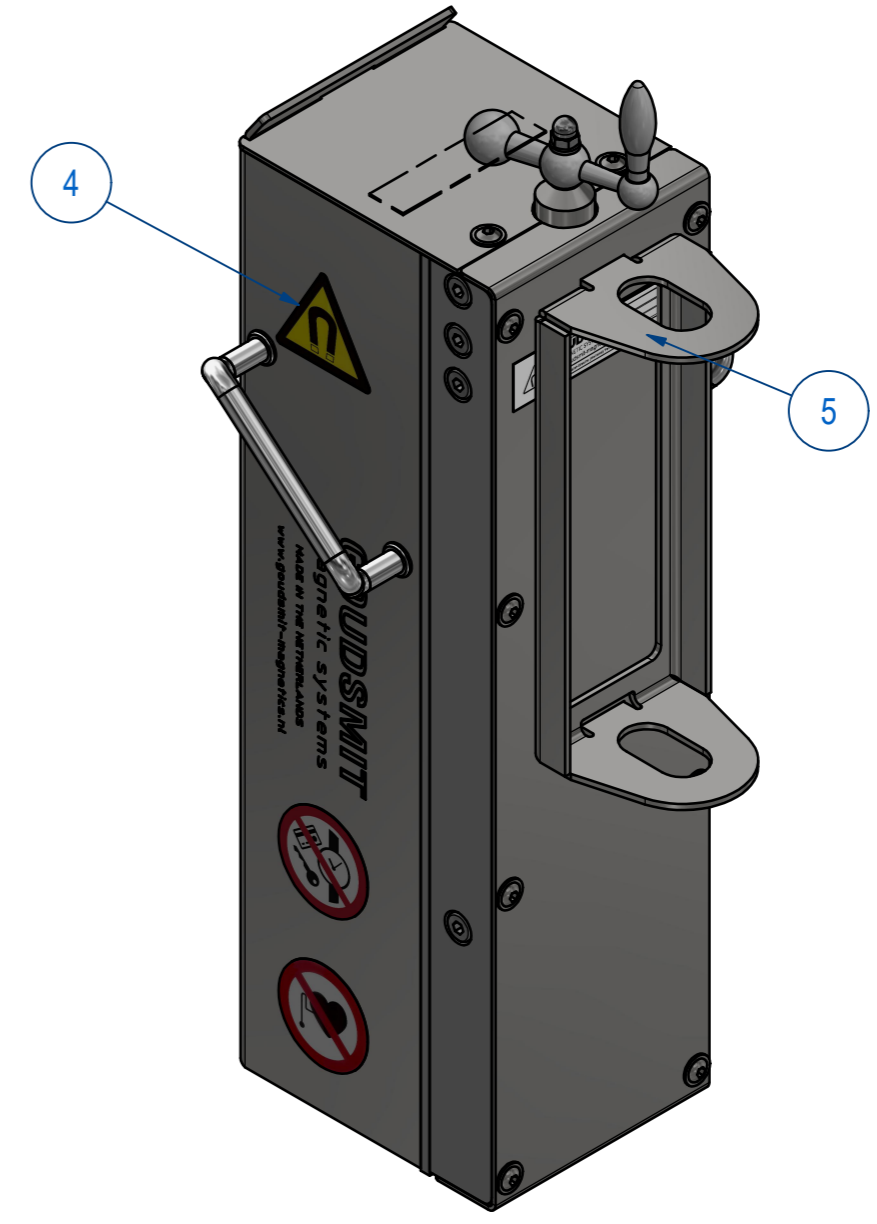
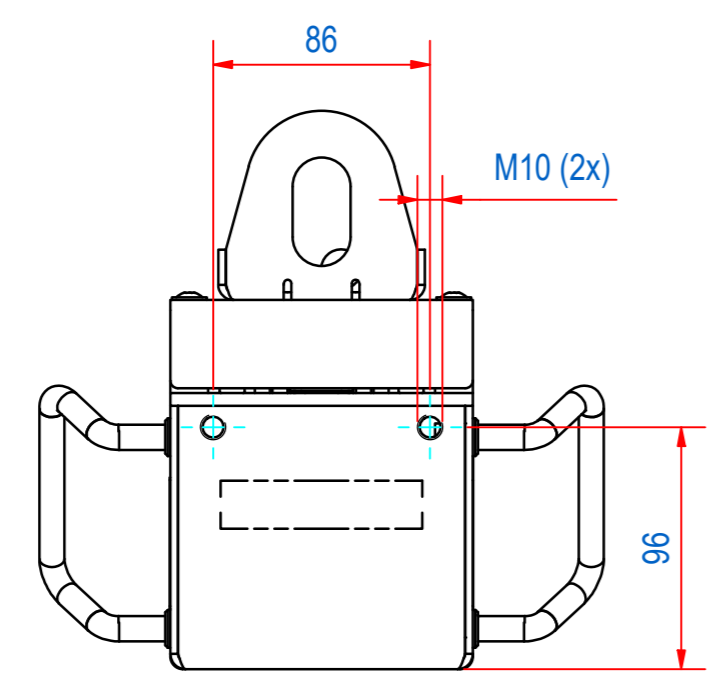
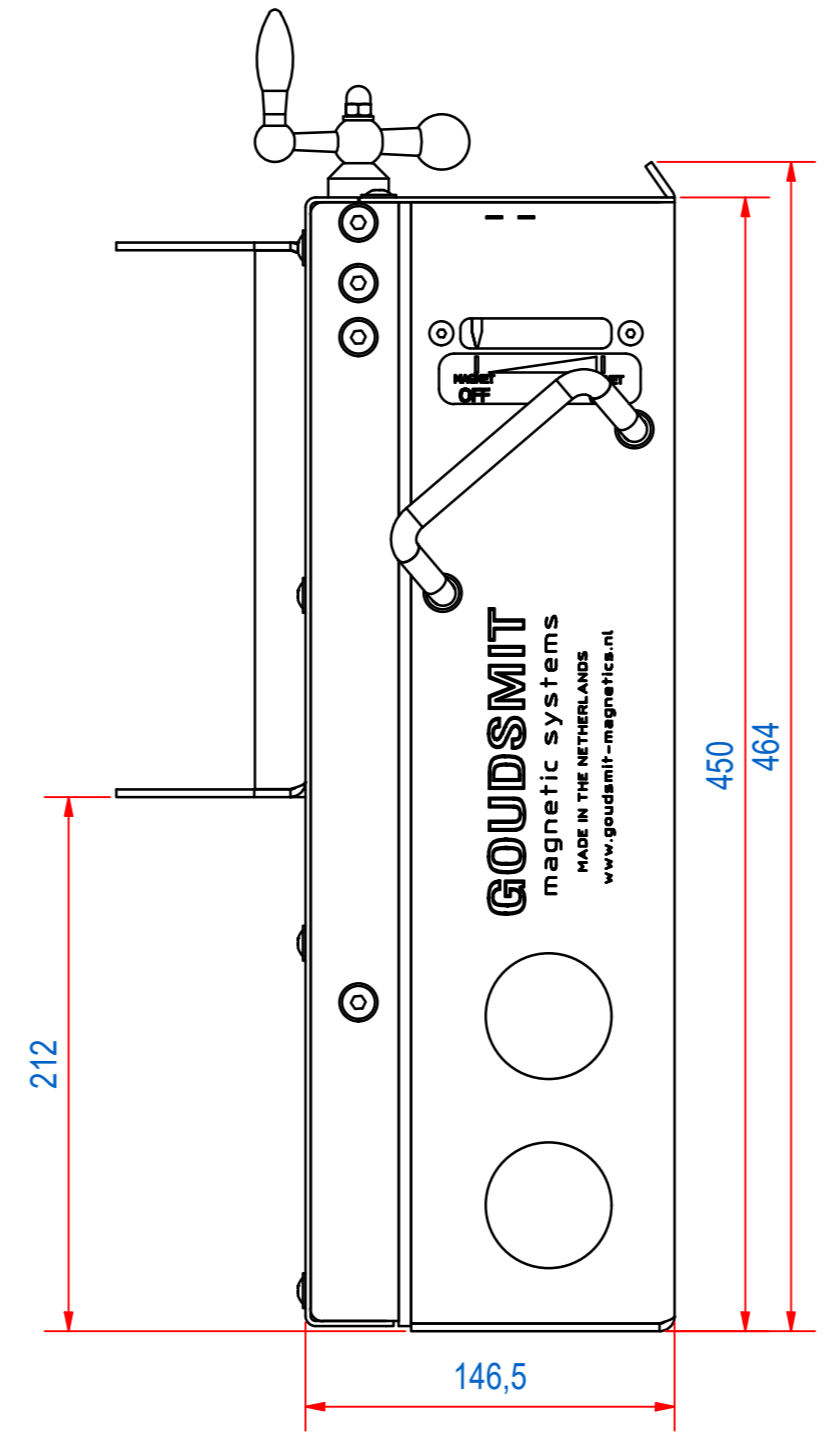
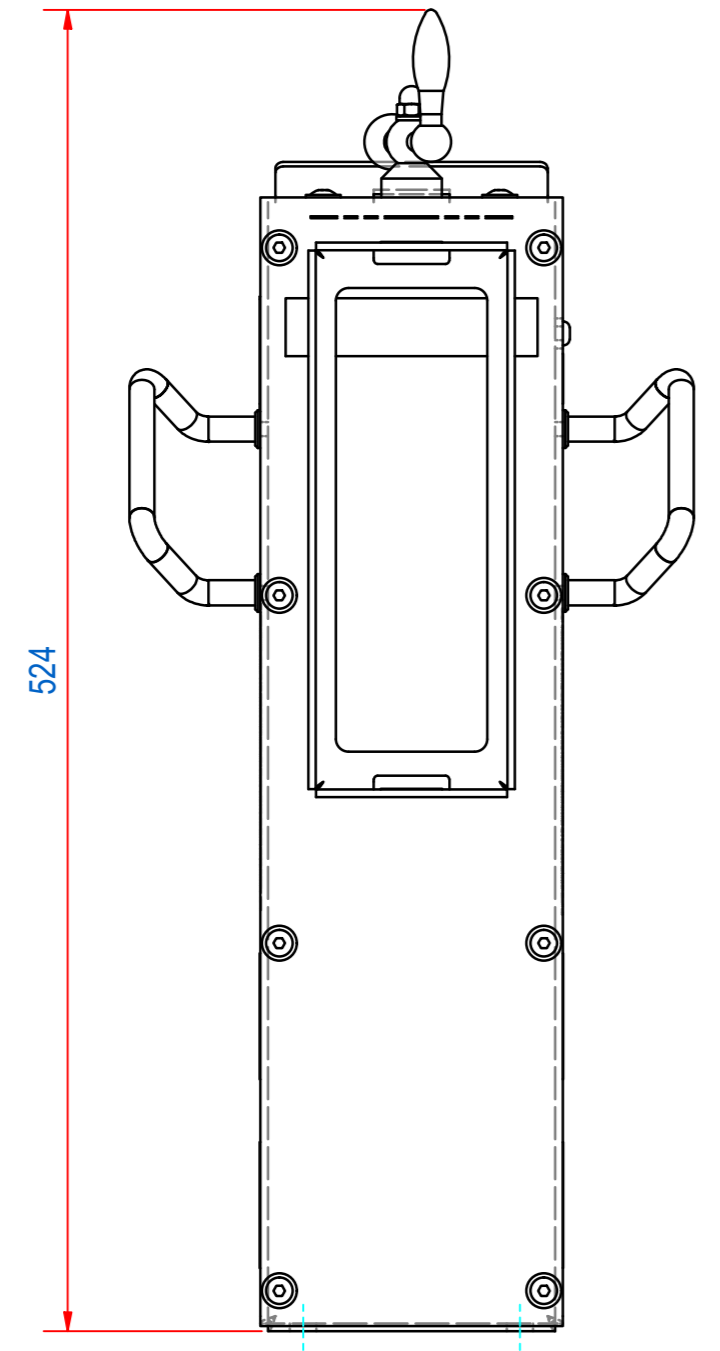
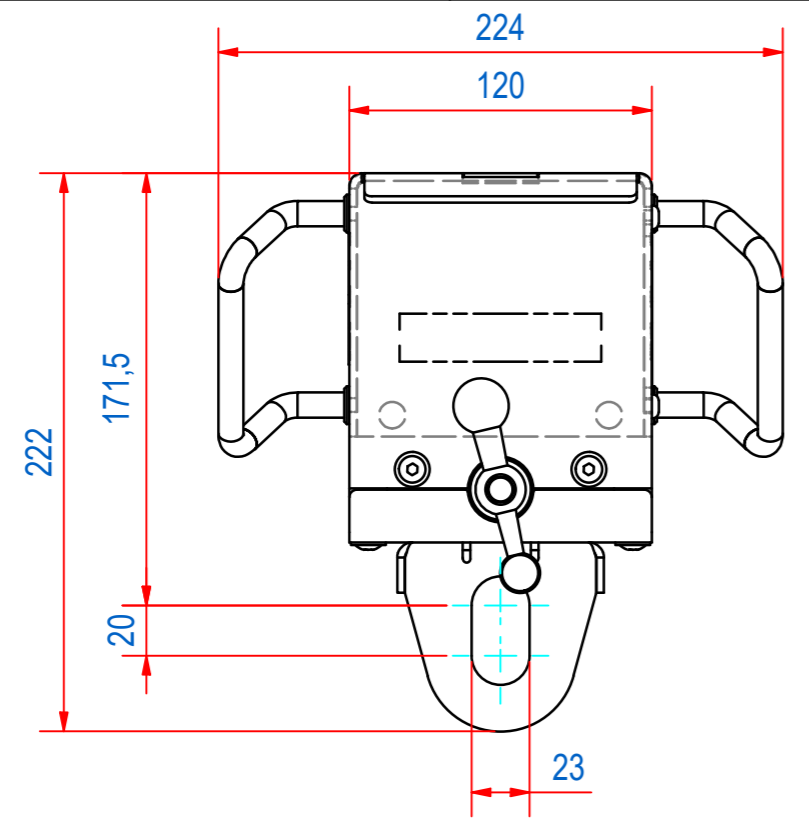


REV	DATE	BY	DESCRIPTION
-	27-10-2020	GS	ORIGINAL DRAWING; REF. TPSP120451
A	30-3-2021	GS	HANDLE CHANGED; TOP OF MAGNET STRENGTHENED
B	28-9-2021	GS	DESCRIPTION CHANGED (-MS- WAS -PF-)



ITEM	QTY	PART NUMBER	DESCRIPTION	Dimensions
6	1	E0136088	STICKER OFF - ON	
5	1	P190398	STICKER GOUDSMIT 100X23	
4	1	1000.20030	STICKER MAGNETIC FIELD small	
3	2	1000.20055	STICKER ARTICLES FORBID D50	
2	2	1000.20056	STICK. PACEMAKER FORB. D=50	
1	1	E0135660	SHEET SEPARATOR 450	

RAW MAT.	Quantity	Material Number	Material Description	Length (mm)	Width (mm)
1	1				

Sheet: <b>A2</b>	Extra info:	General tolerance: <b>ISO 2768 - mK</b>
Drawn: <b>GS</b>	Weight (kg): <b>14</b>	Drawn according: <b>ISO268; ISO1101; ISO2553</b>
Date: <b>15-9-2020</b>		Status: <b>Standard</b>
Spare part: <b>False</b>	Source:	Customer reference number:
Quick search: <b>TPSP120</b>		
Description: <b>HSS-N-MS-120x175-0450-B</b>	Document number: <b>TPSP124500</b>	Doc.Rev: <b>B</b>
	Part number: <b>TPSP124500</b>	Rev: <b>B</b>