

DOC.NR.	REV	DATE	BY	DESCRIPTION
TPSP124501	C	17-1-2020	GS	SENSORS + STICKER ADDED
TPSP124501	D	25-2-2022	GS	TEXT OPERATING PRESSURE CHANGED TO 5-10 BAR
TPSP124501	E	3-2-2023	LH	SOURCE CODE ADDED

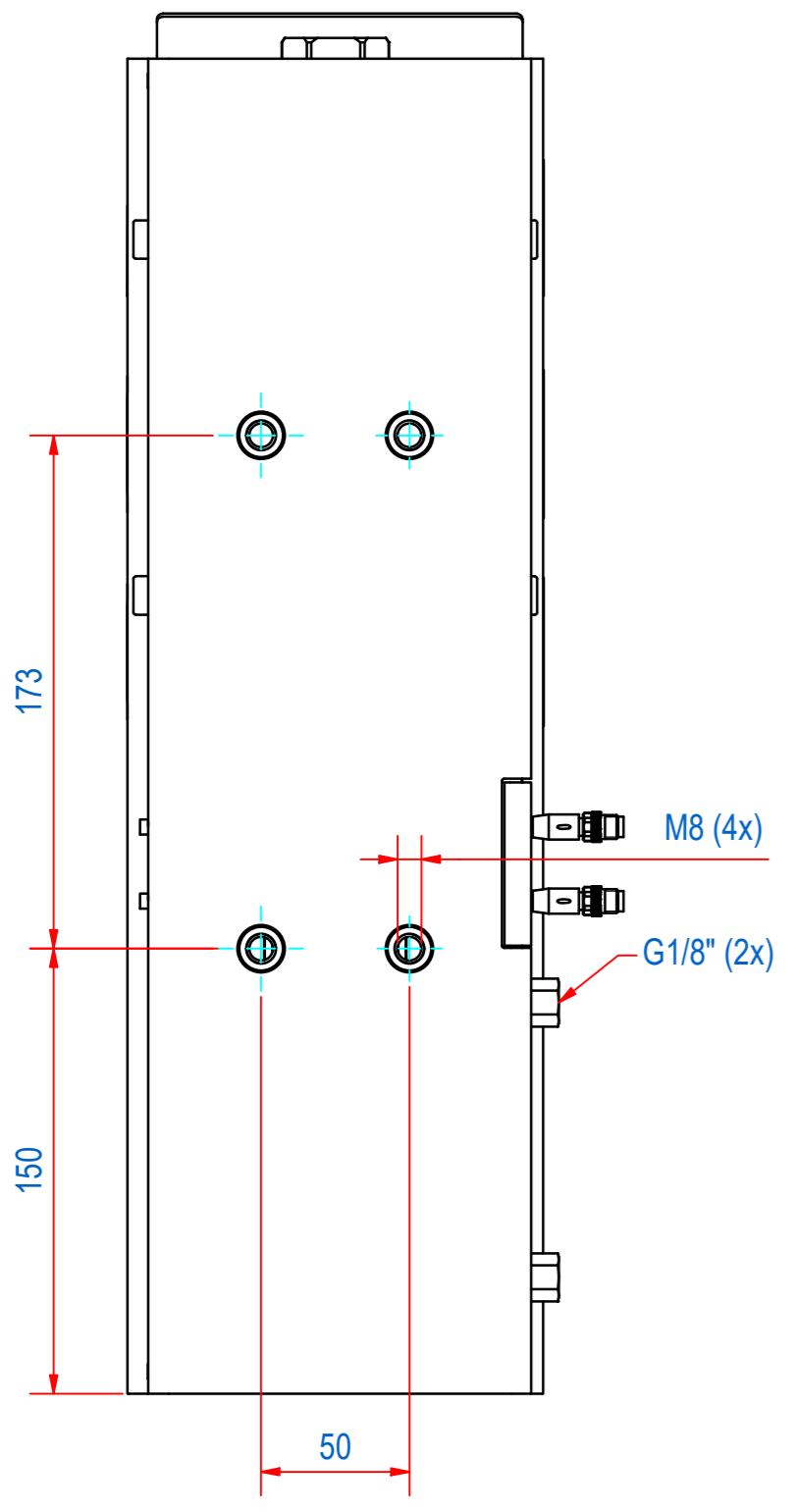
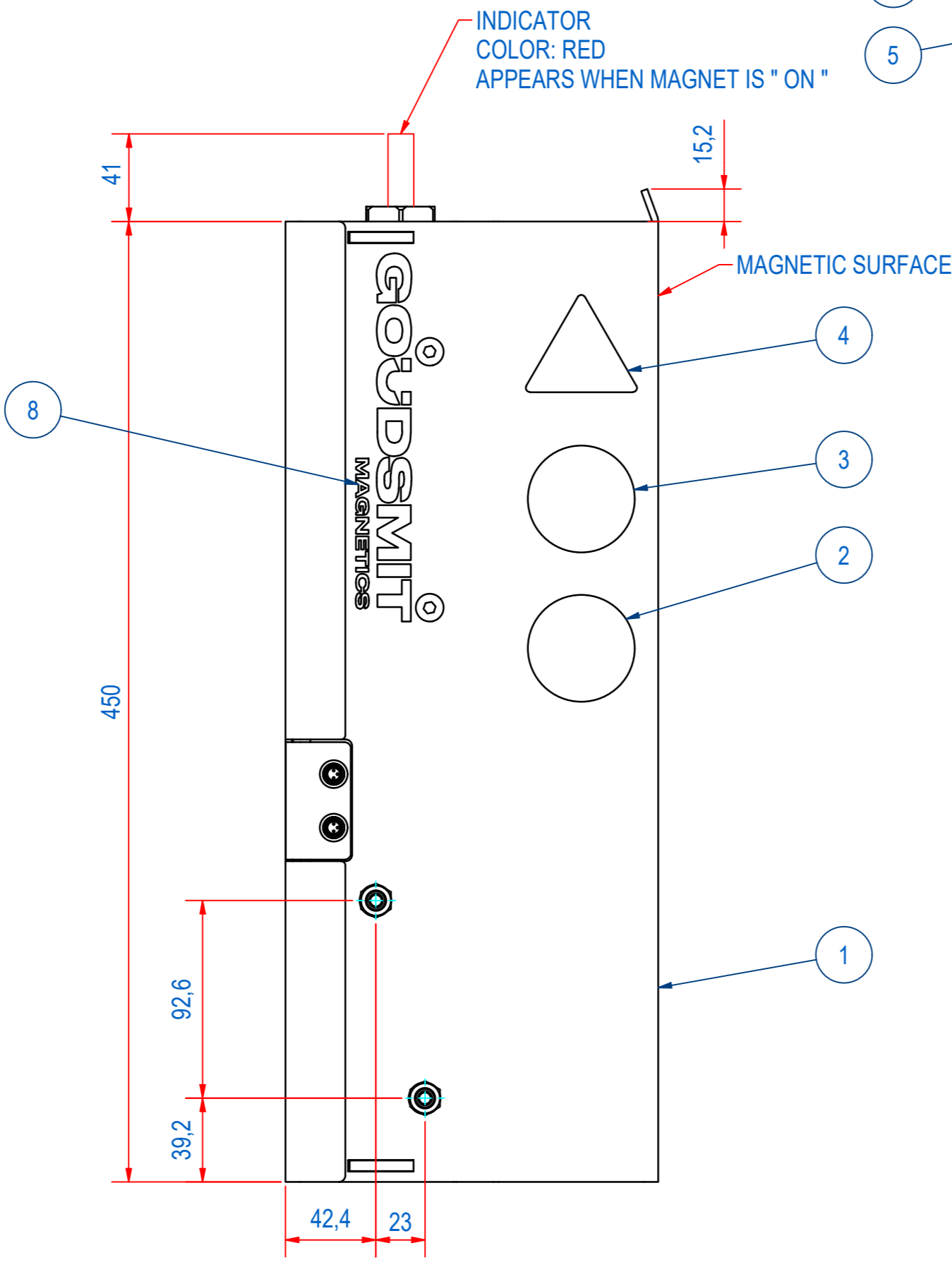
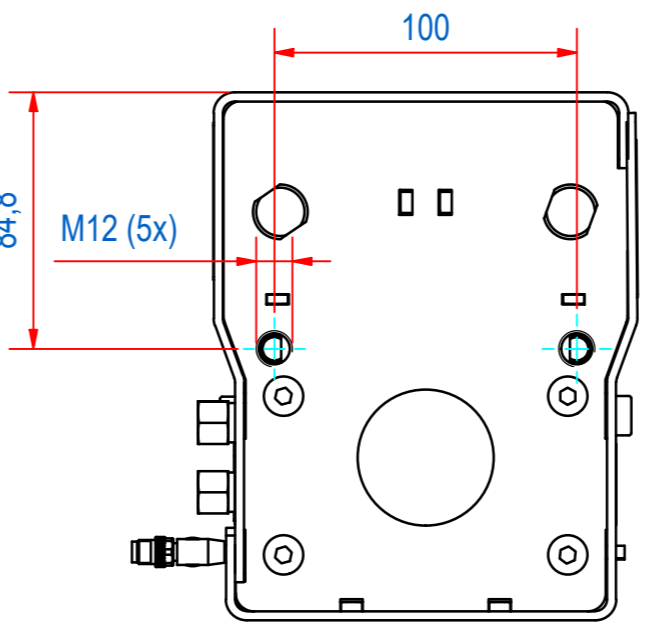
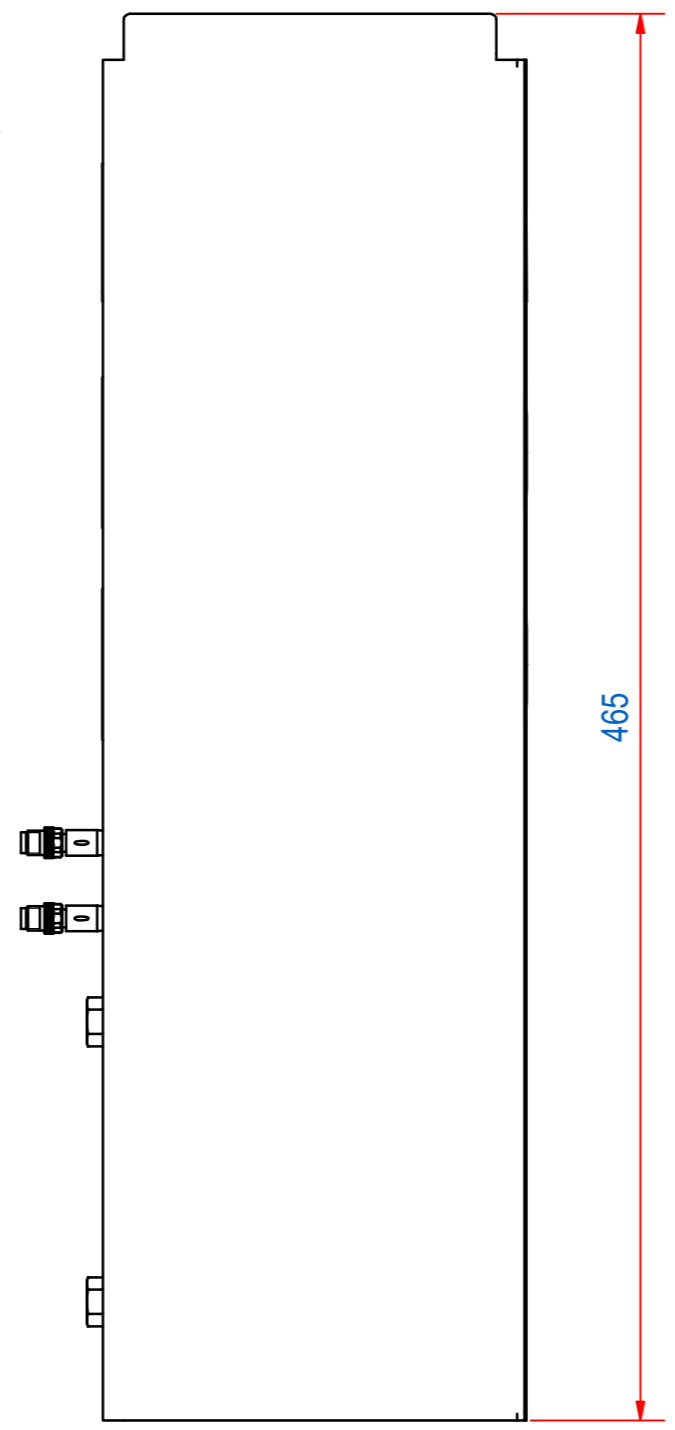
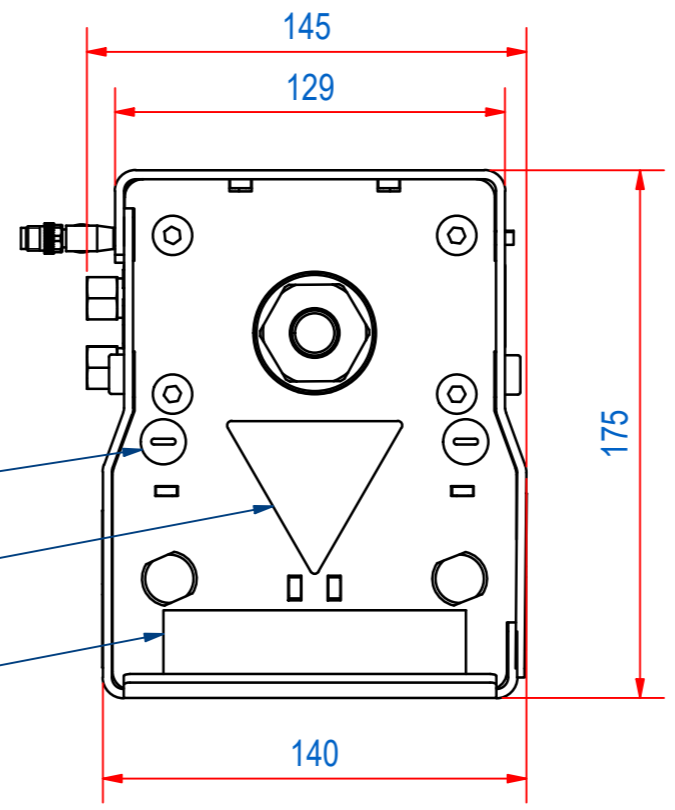


OPERATING PRESSURE = 5 - 10 BAR

ITEM	QTY	PART NUMBER	DESCRIPTION	Dimensions
8	1	E0127201	STICKER GOUDSMIT W172 H26	
7	1	E0109252	STICKER SHEET SEP WARNING small	
6	4	EIYQ290012	DOME PLUG PA V-N-FS M12x1.5 GR	
5	1	P190398	STICKER GOUDSMIT 100X23	
4	2	1000.20030	STICKER MAGNETIC FIELD 50mm	
3	2	1000.20055	STICKER ARTICLES FORBID D50	
2	2	1000.20056	STICK. PACEMAKER FORB. D=50	
1	1	E0099397	HSS-ASSY SHEET SEPARATOR 450	

RAW MAT.	Quantity	Material Number	Material Description	Length (mm)	Width (mm)
1	1				

Sheet: A2	Extra info: BRAM	General tolerance: ISO 2768 - mK
Drawn: GS	Weight (kg): 31	Drawn according: ISO268; ISO1101; ISO2553
Date: 7-12-2017	Source: MC-C	Status: Standard
Spare part: False	Quick search: TPSP140	Customer reference number:
Description: HSS-N-PF-140x176-0450-B		Document number: TPSP124501
		Doc.Rev: E
		Part number: TPSP124501
		Rev: E



INDICATOR COLOR: RED APPEARS WHEN MAGNET IS " ON "

MAGNETIC SURFACE



© All rights reserved. Reproduction is not permitted without written permission of GOUDSMIT Magnetic Systems BV