

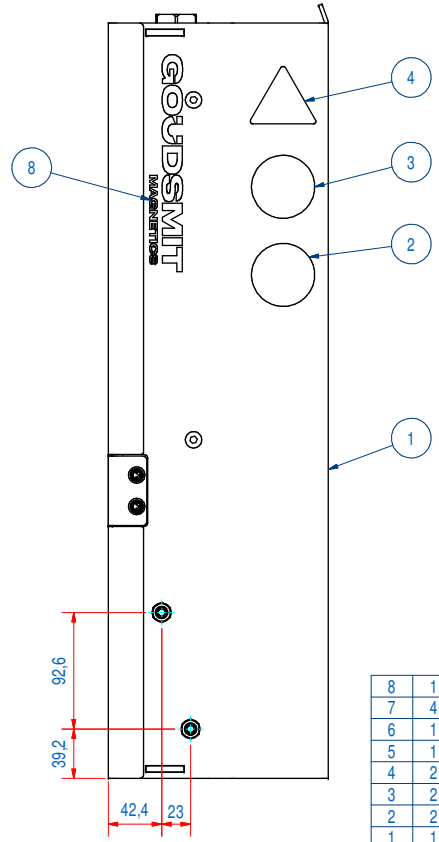
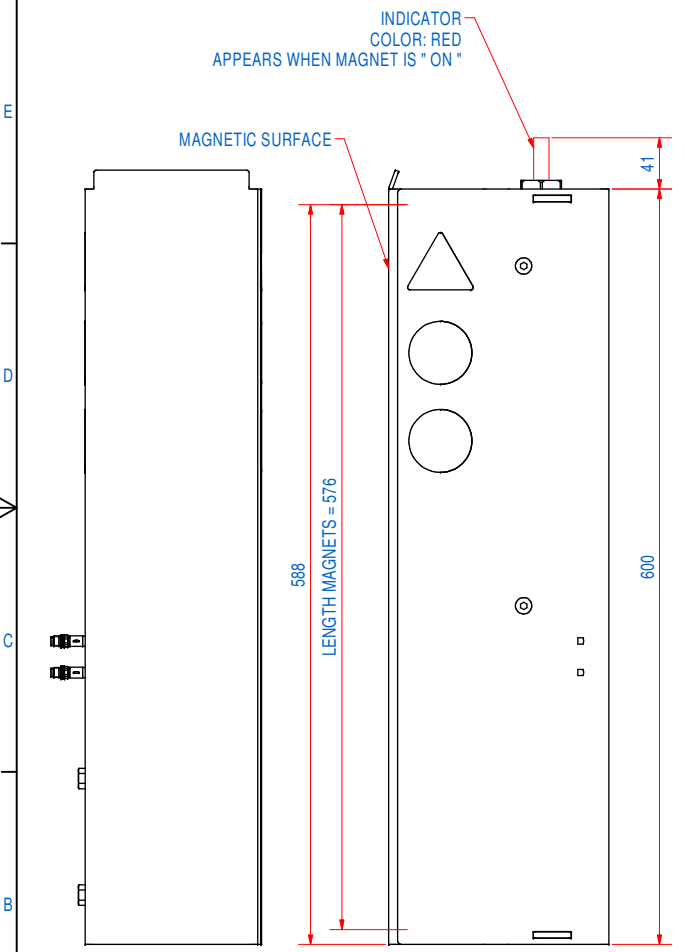
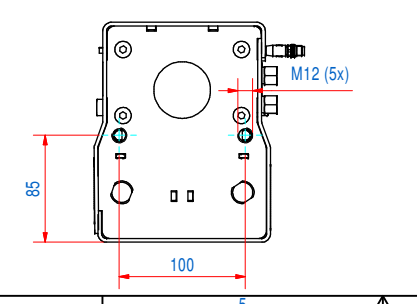
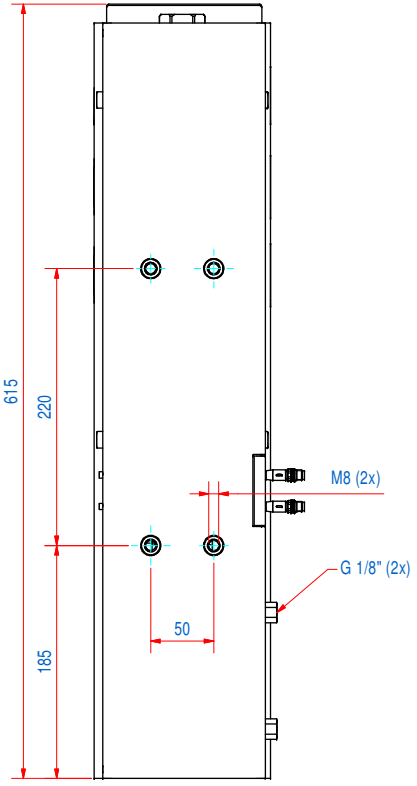
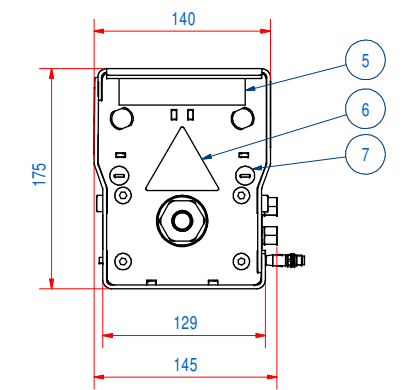
DOC.NR.	REV	DATE	BY	DESCRIPTION
TPSP126001	B	20-1-2020	GS	SENSORS + STICKER ADDED
TPSP126001	C	25-2-2022	GS	TEXT OPERATING PRESSURE CHANGED INTO 6,5-10 BAR
TPSP126001	D	3-2-2023	LH	SOURCE CODE ADDED



OPERATING PRESSURE = 6,5 - 10 Bar

ITEM	QTY	PART NUMBER	DESCRIPTION	Dimensions
8	1	E0127201	STICKER GOUDSMIT W172 H26	
7	4	E1YQ290012	DOME PLUG PA V-N-FS M12x1.5 GR	
6	1	E0109252	STICKER SHEET SEP WARNING small	
5	1	P190398	STICKER GOUDSMIT 100X23	
4	2	1000.20030	STICKER MAGNETIC FIELD 50mm	
3	2	1000.20055	STICKER ARTICLES FORBID D50	
2	2	1000.20056	STICK. PACEMAKER FORB. D=50	
1	1	E0109313	HSS-ASSY SHEET SEPARATOR 600	

RAW MAT.	QTY	PART NUMBER	DESCRIPTION	Dimensions
Quantity	1	Material Number	Material Description	Length (mm) Width (mm)
Sheet: A2		Extra info: BRAM 600		General tolerance: ISO 2768 - mK
Drawn: GS		Weight (kg): 40		Drawn according: ISO268; ISO1101; ISO2553
Date: 23-1-2019		Source: MC-C		Status: Standard
Spare part: False		Customer reference number: TPSP140		Document number: TPSP126001
Quick search: TPSP140		© All rights reserved. Reproduction is not permitted without written permission of GOUDSMIT Magnetic Systems BV		Doc.Rev: D
Description: HSS-N-PF-140x175-0600-B		Part number: TPSP126001		Rev: D



8 7 6 5 4 3 2 1

F E D C B A