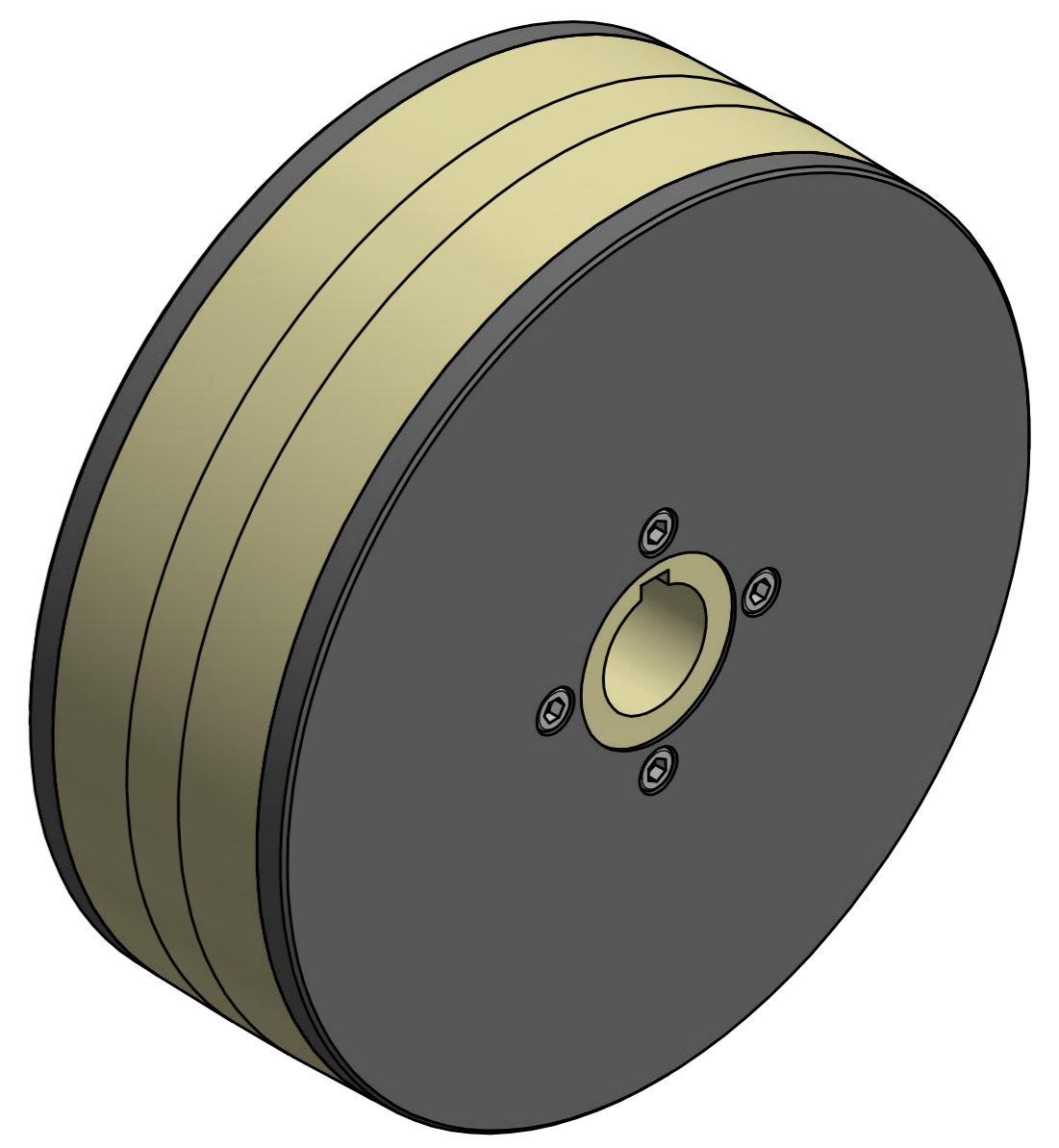
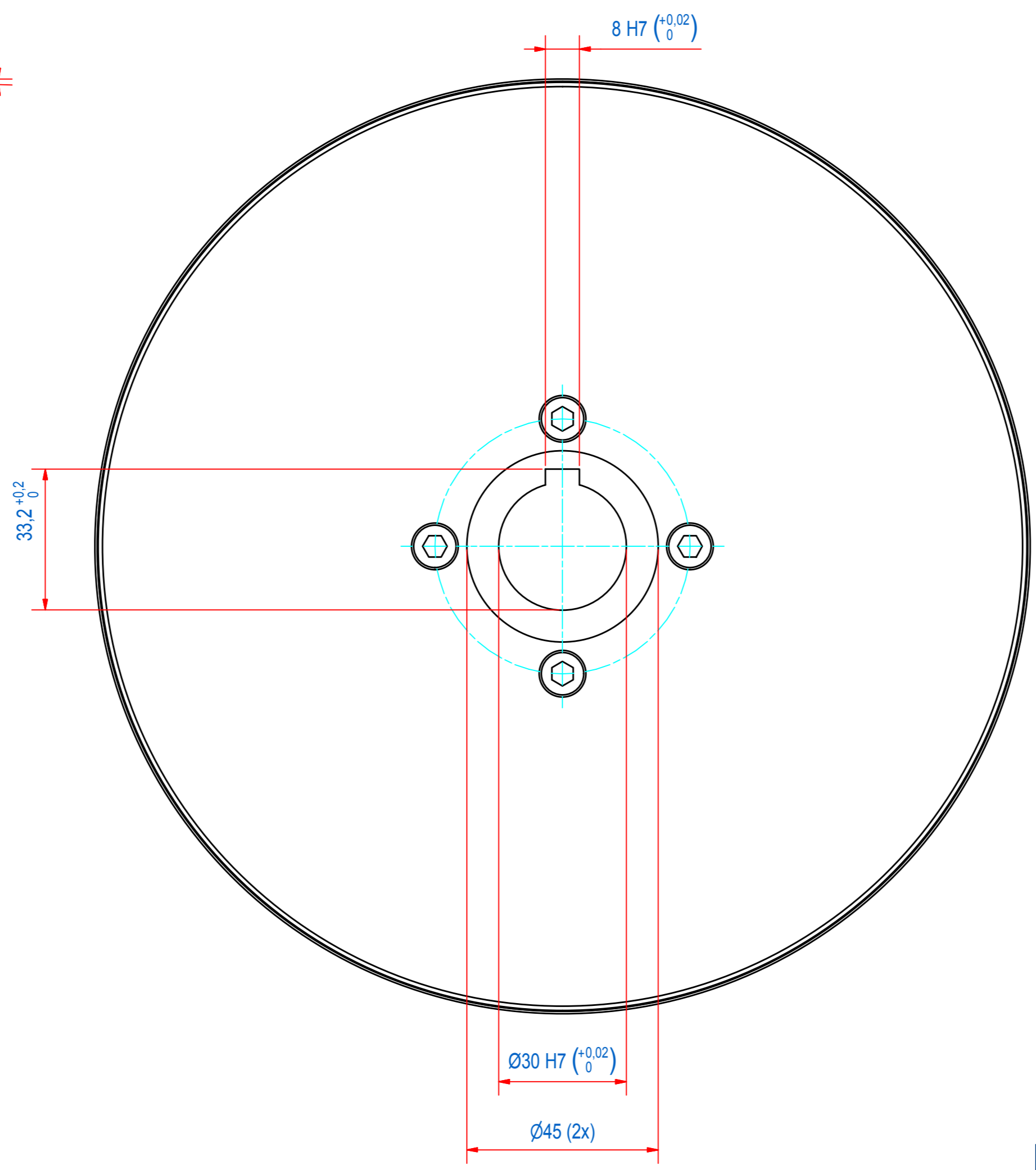
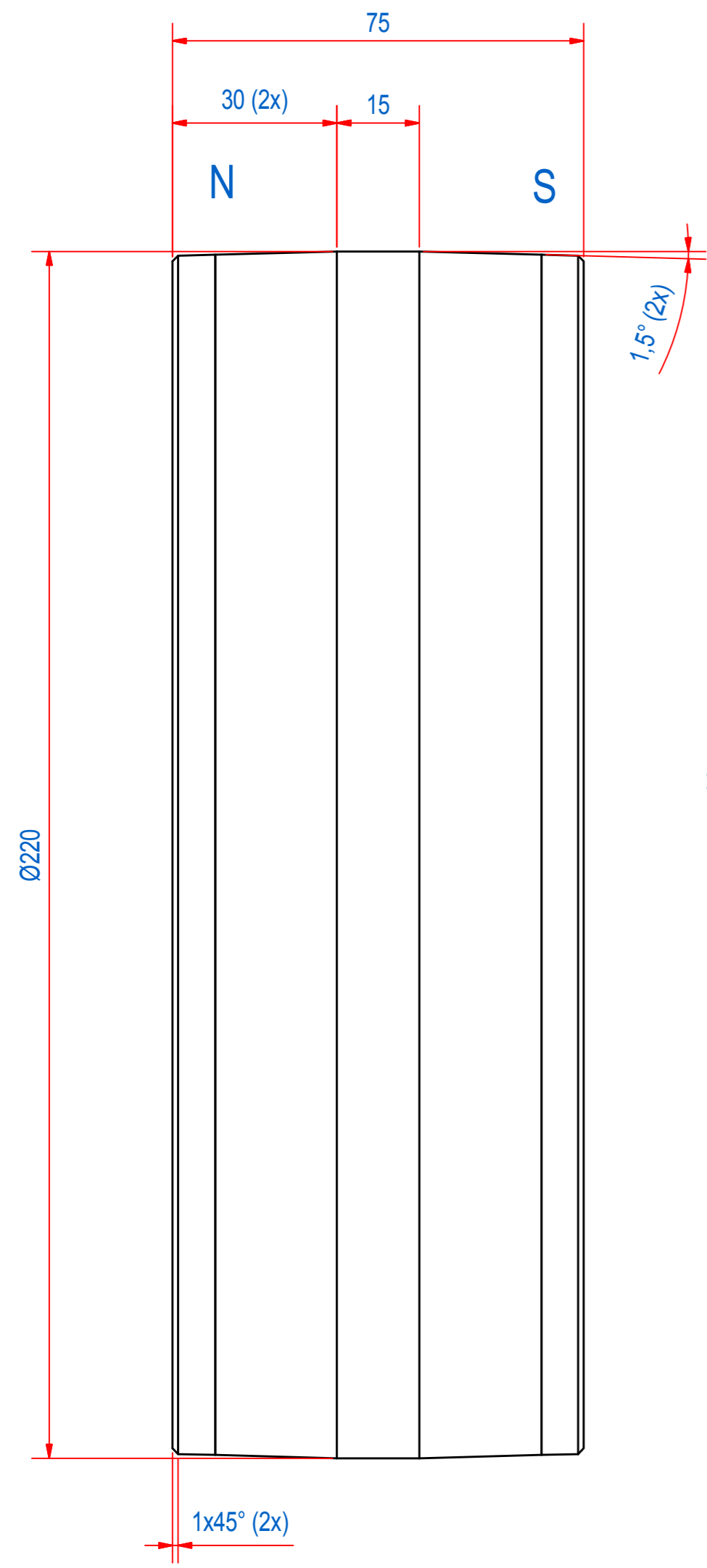


DOC.NR.	REV	DATE	BY	DESCRIPTION
E0083325	-	27-9-2017	PV	ORIGINAL DRAWING



Remark:
Mark northpole with N
Paint side's red

Opmerking:
In Noordpool N inslaan
Zijvlakken rood lakken

ITEM	QTY	PART NUMBER	DESCRIPTION	Dimensions
1	1	M83447	ASSEMBLY DWG	
RAW MAT.	1			
Quantity		Material Number	Material Description	Length (mm) Width (mm)
Sheet:	A2	Extra info:	MAGNETIC ROLLER	General tolerance: ISO 2768- mK
Drawn:	PV	Weight (kg):	16,1	Drawn according: ISO268; ISO1101; ISO2553
Date:	27-9-2017			Status: Standard
Spare part:	False			Customer reference number:
Quick search:	TRBB075			Document number: E0083325 Doc.Rev:
Description:			HRC-F-D220-d030-075-MR-B	Part number: TRBB220075 Rev: -