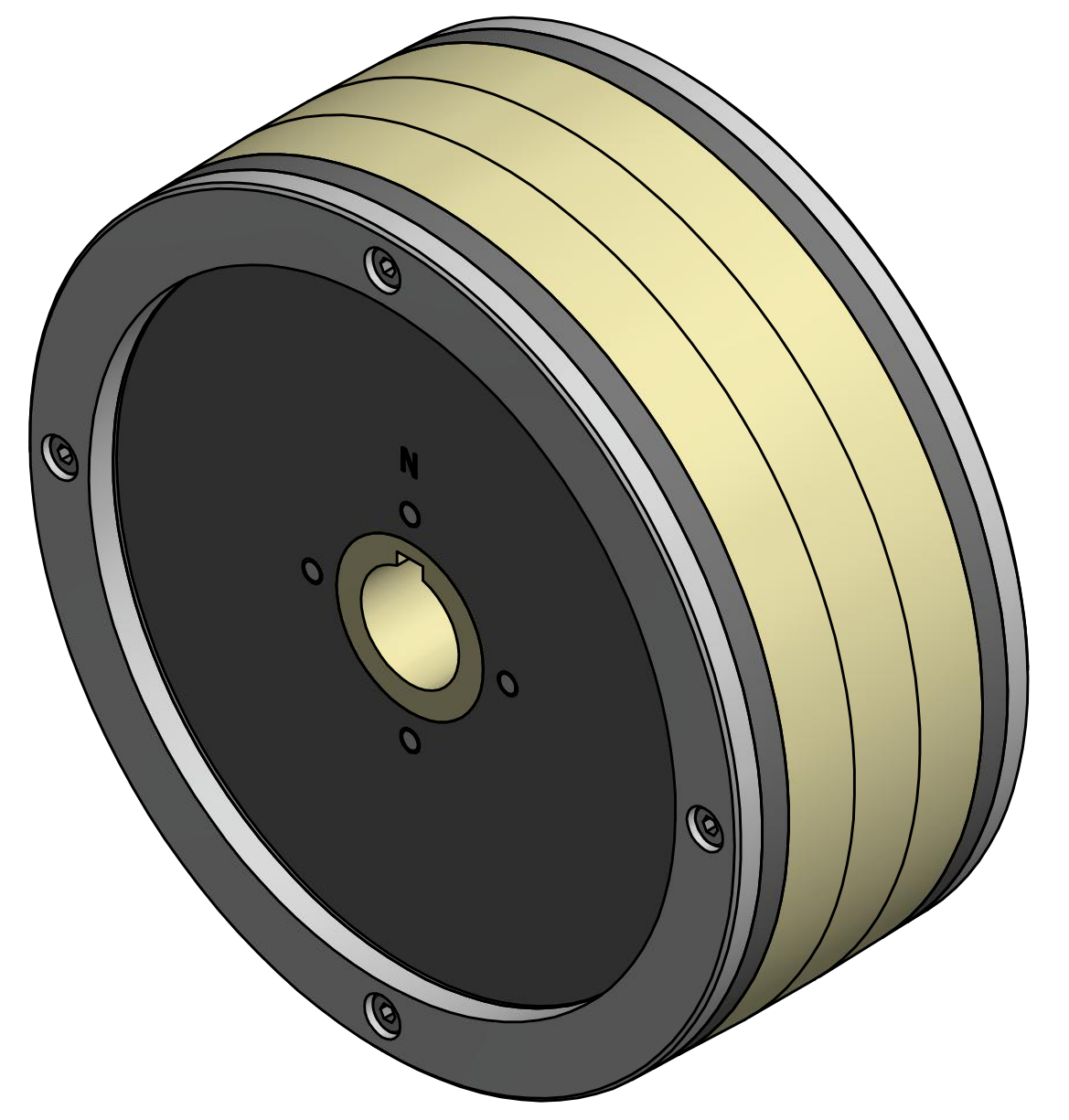
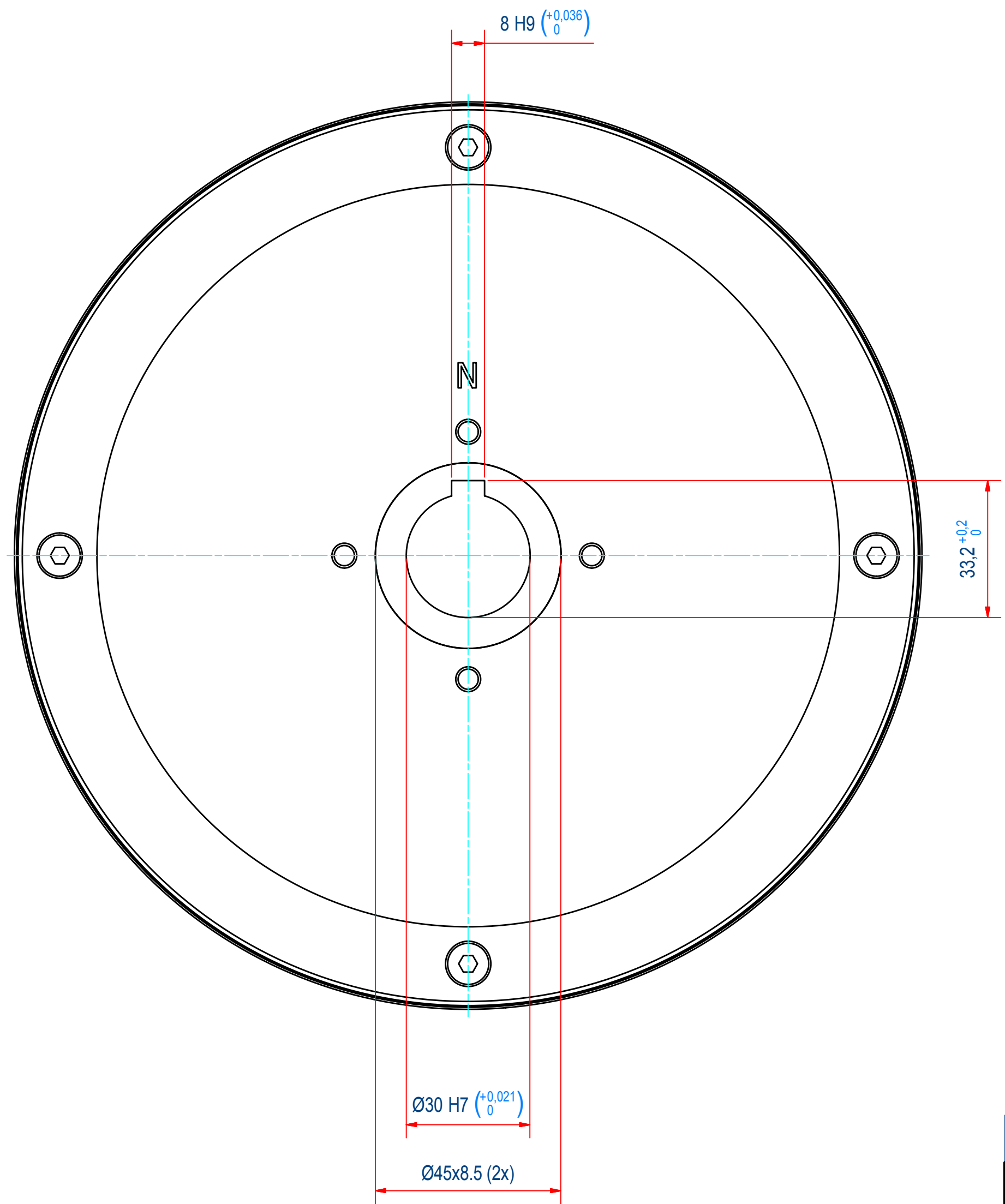
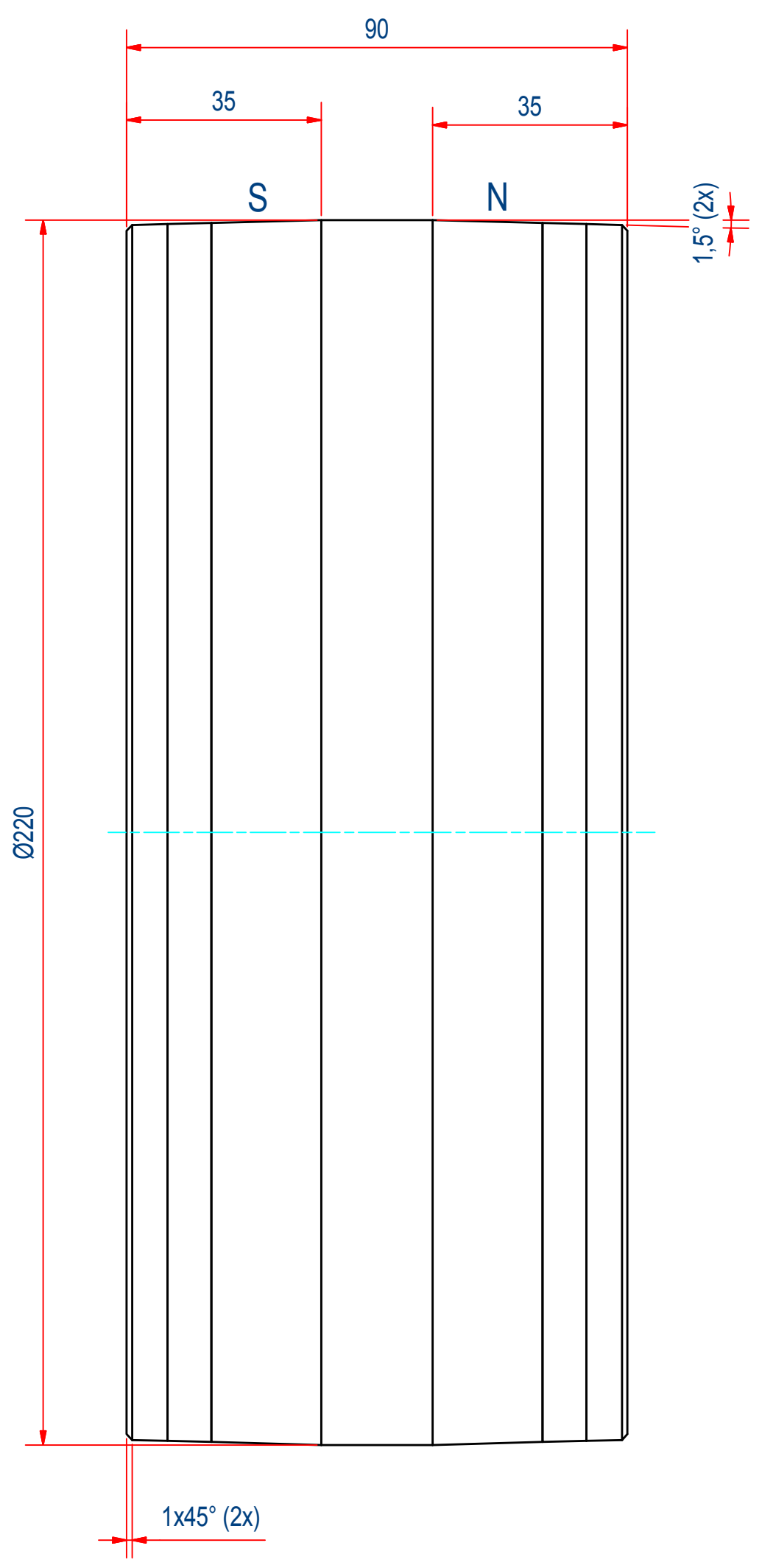


REV	DATE	BY	DESCRIPTION
-	22-7-2013	PB	NEW VAULT, NEW REVISION. NOTHING CHANGED. OLD REV WAS A



OPMERKING:
IN NOORDPOOL N INSLAAN
ZIJVLAKKEN ROOD LAKKEN

REMARK:
ENGRAVE N IN N-POLE
PAINT BOTH SIDE RED

ITEM	QTY	PART NUMBER	DESCRIPTION	Dimensions
1	1	E0006903	ASSEMBLY DWG TRBB220090	
RAW MAT.	1			
Quantity	Material Number	Material Description		Length (mm) Width (mm)
Sheet: A2	Extra info: MAGNETIC ROLLER	General tolerance: ISO 2768- mK		
Drawn: PB	Weight (kg): 12,2	Drawn according: ISO268; ISO1101; ISO2553		
Date: 22-7-2013		Status: Standard		
Spare part: False		Customer reference number:		
Quick search: TRBB090		Document number: TRBB220090		Doc.Rev: -
Description: HRC-F-D220-d030-090-MR-B		Part number: TRBB220090		Rev: -