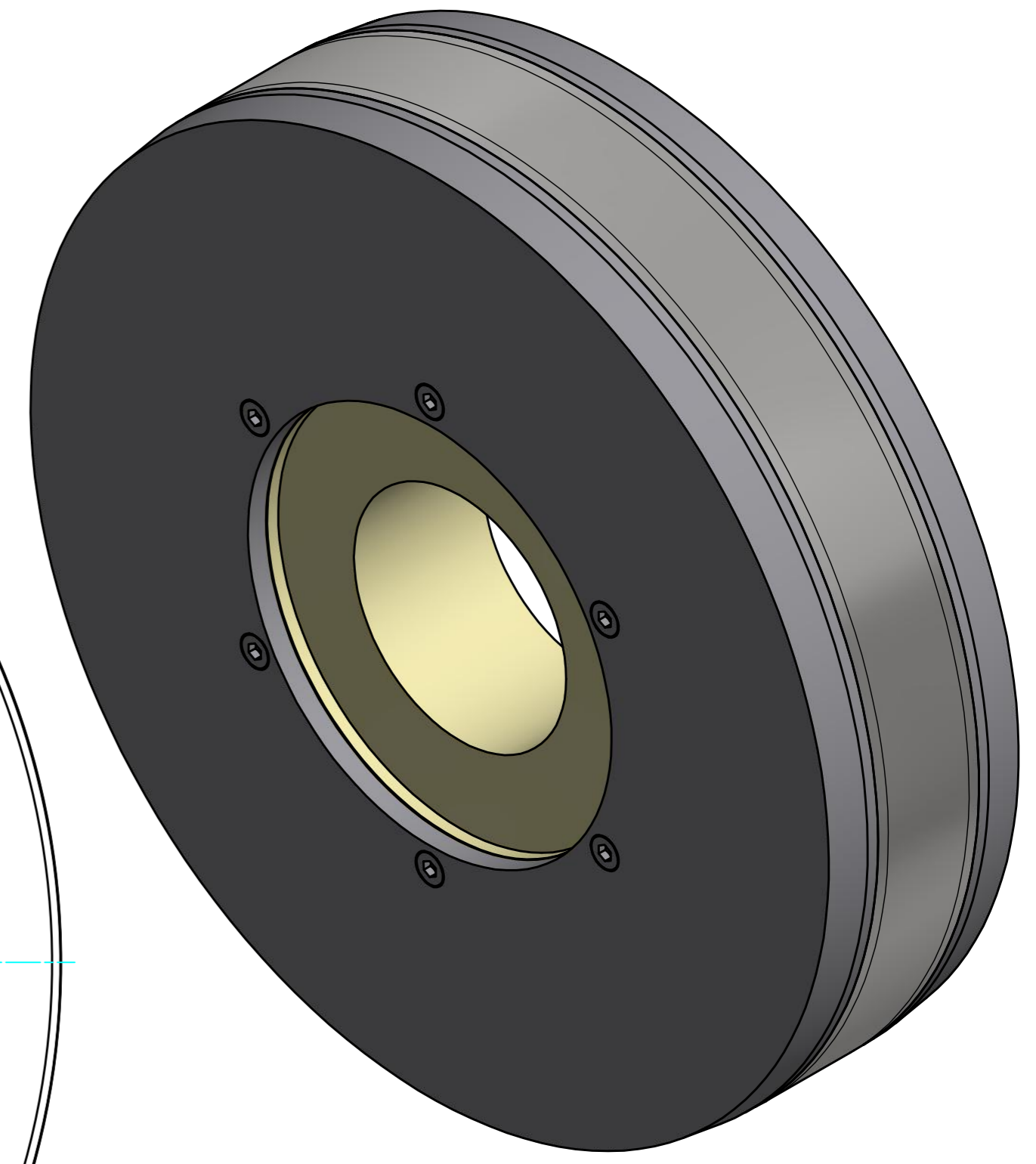
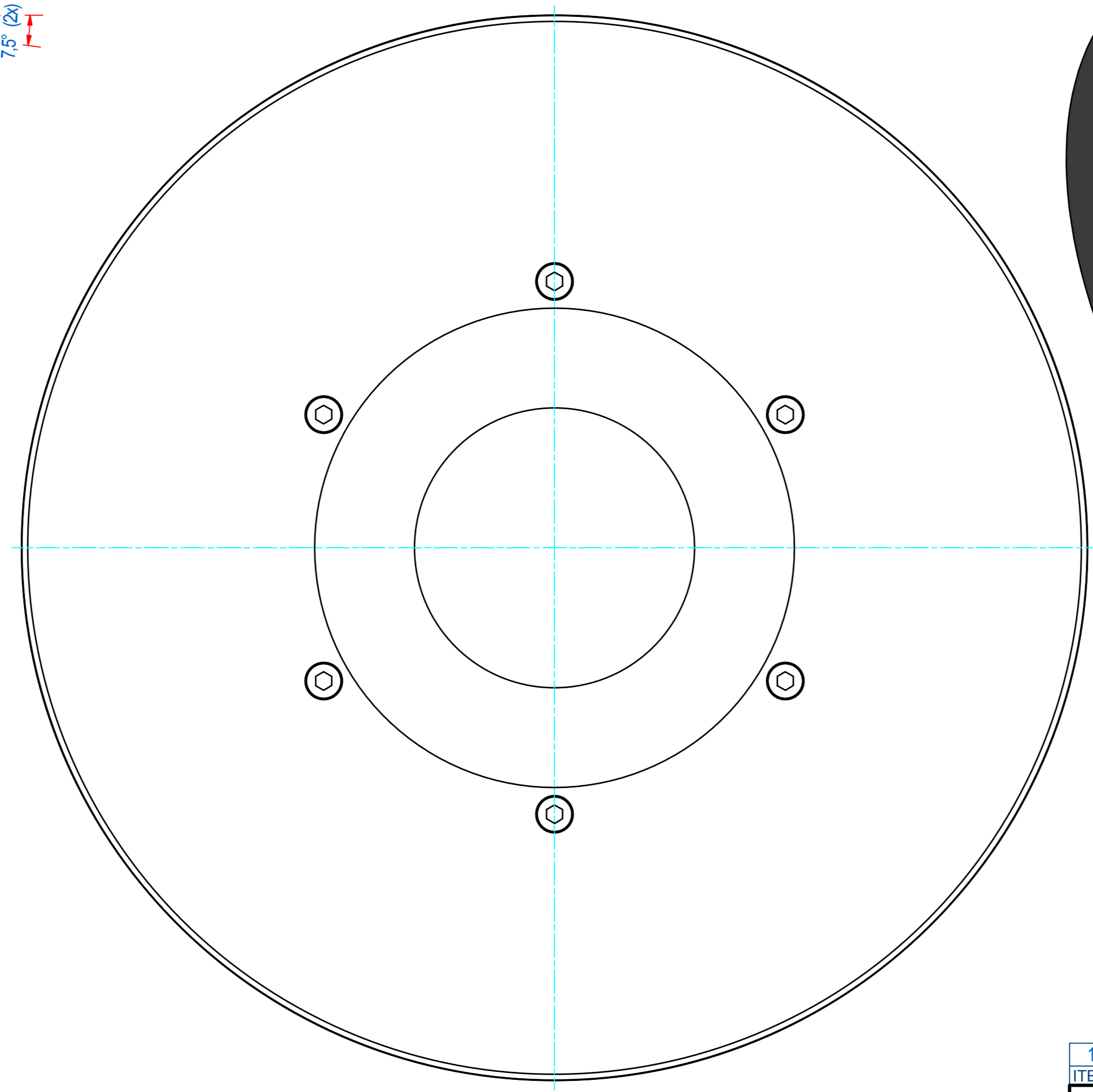
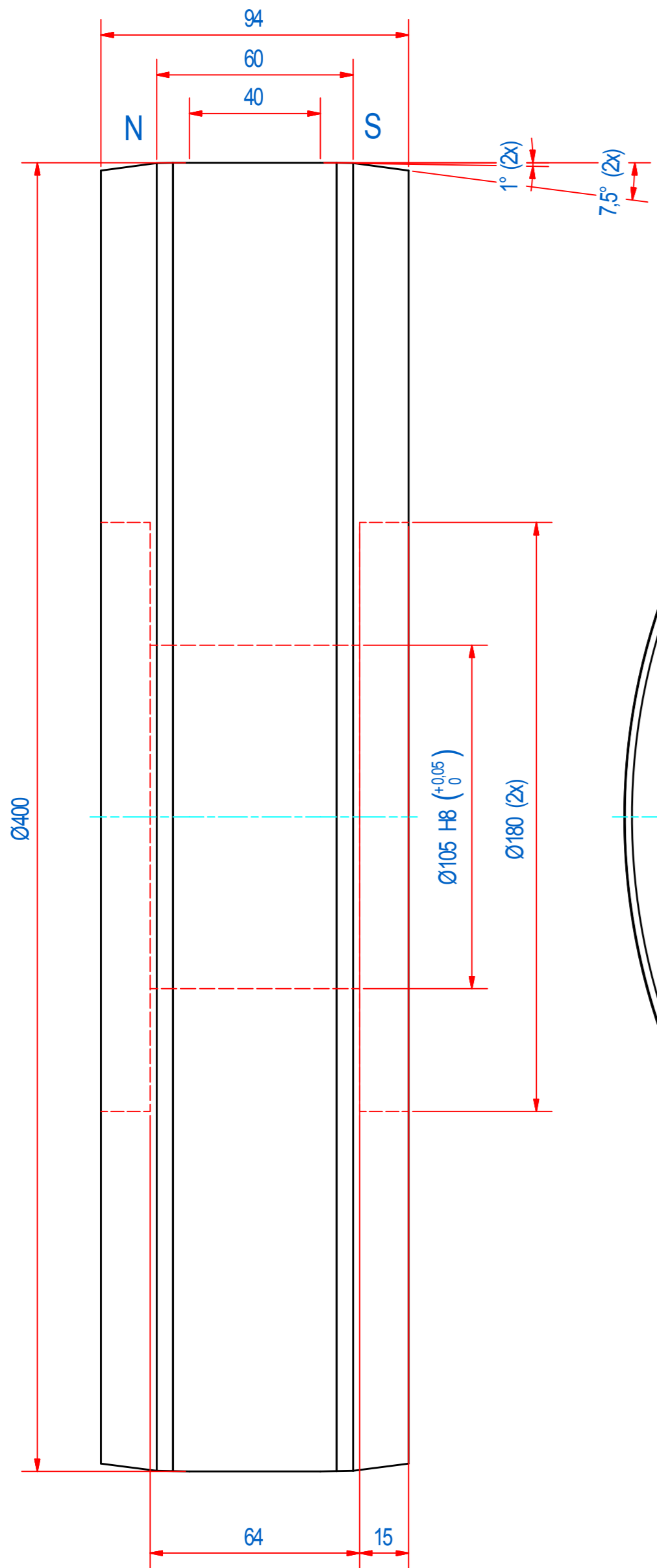


REV	DATE	BY	DESCRIPTION
-	20-10-2014	PB	NEW VAULT, NEW REVISION. NOTHING CHANGED. OLD REV WAS C
A	7-9-2016	PB	DIM D180x15 (2x) ADDED



ITEM	QTY	PART NUMBER	DESCRIPTION	Dimensions
1	1	M09314	ASSEMBLY DWG	
RAW MAT.	Quantity	Material Number	Material Description	Length (mm) Width (mm)
	1			
Sheet: A2		Extra info: MAGNETIC ROLLER		General tolerance: ISO 2768 - mK
Drawn: PB	Weight (kg): 50,5			Drawn according: ISO268; ISO1101; ISO2553
Date: 20-10-2014			Status: Standard	
Spare part: False			Customer reference number:	
Quick search: TRBB094			Document number: TRBB400094	Doc.Rev: A
Description: HRC-F-D400-d105-094-MR-B			Part number: TRBB400094	Rev: A