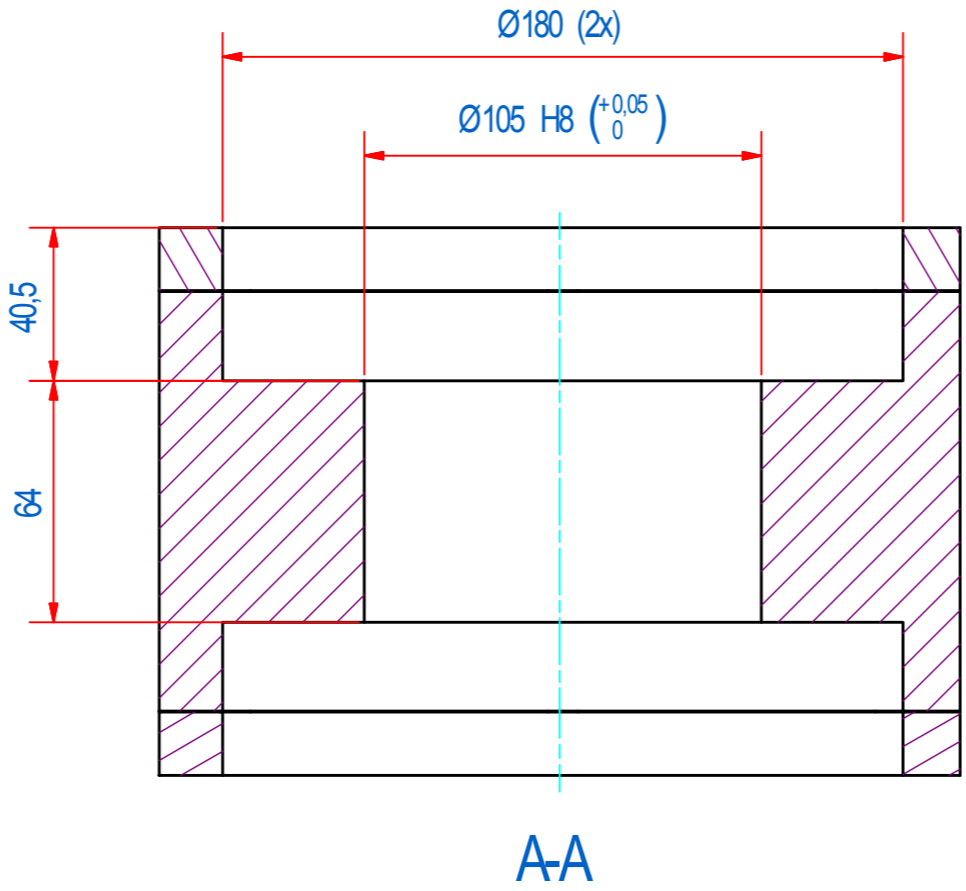
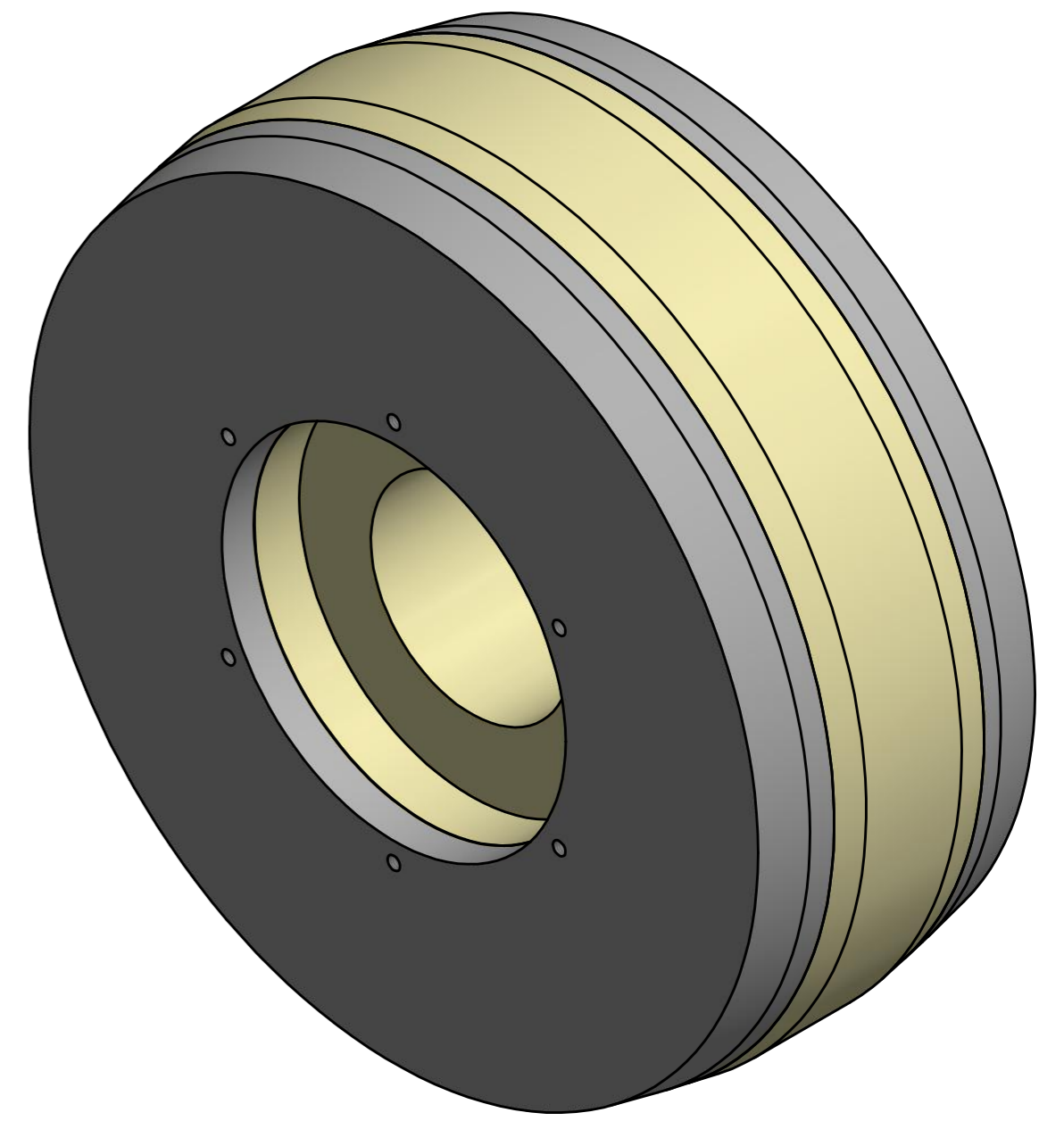
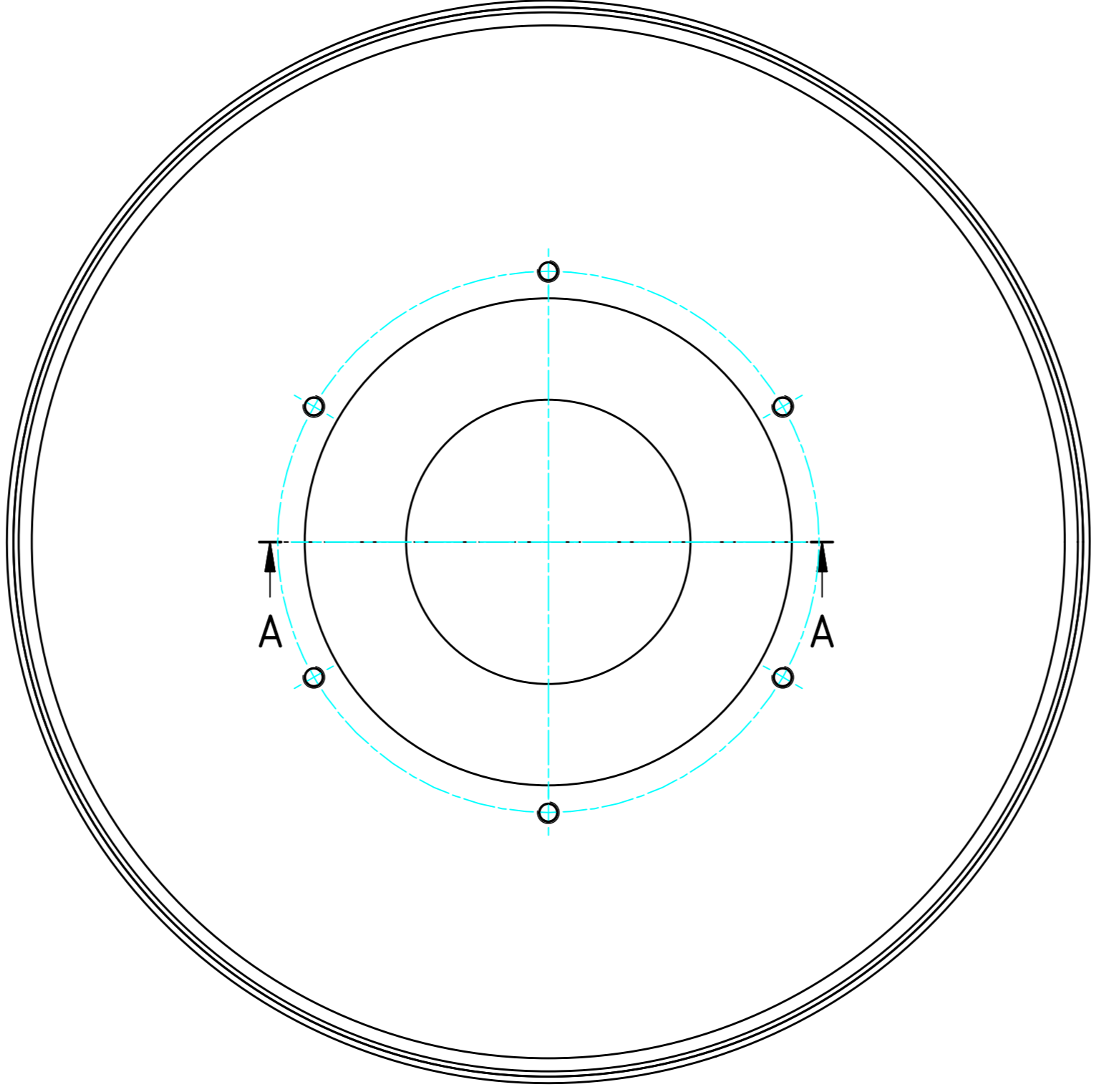
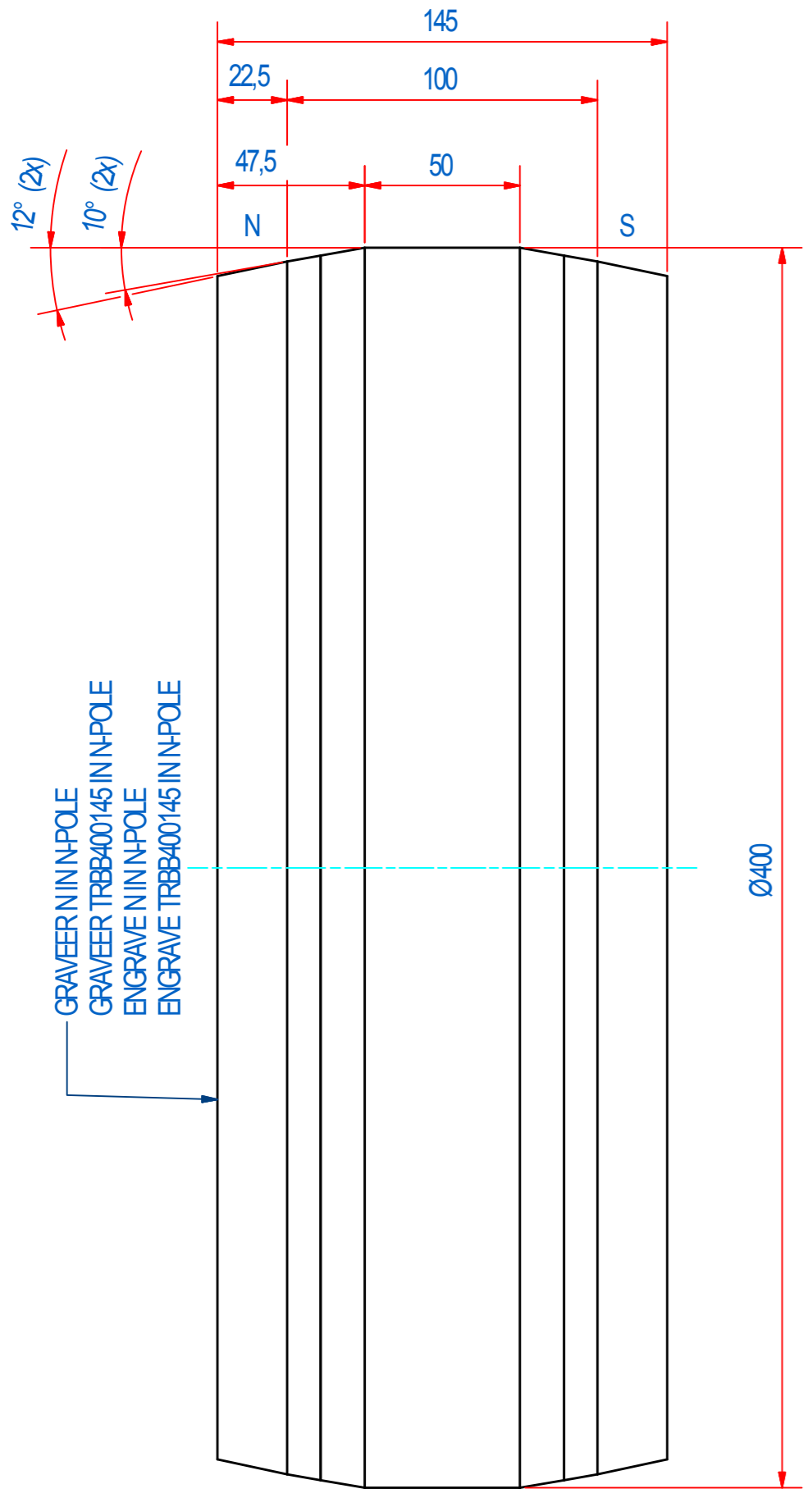


DOC.NR.	REV	DATE	BY	DESCRIPTION
E0083486	-	29-9-2017	PB	COPY FROM ACAD
E0083486	A	19-10-2017	PV	NOTHING CHANGED



REMARKS:
 ENGRAVE N IN N-POLE
 ENGRAVE TRBB400145 IN N-POLE
 PAINT BOTH SIDES RED

ITEM	QTY	M61150	ASSEMBLY DWG	Dimensions
RAW MAT.	1		DESCRIPTION	Length (mm) Width (mm)
Quantity	Material Number	Material Description	General tolerance:	ISO 2768 - mK
Sheet:	A2	Extra info: MAGNETIC ROLLER	Drawn according:	ISO268; ISO1101; ISO2553
Drawn:	PB	Weight (kg): 41,1	Status:	Standard
Date:	29-9-2017		Customer reference number:	
Spare part:	False		Document number:	E0083486
Quick search:	TRBB145		Doc.Rev:	A
Description:	HRC-F-D400-d105-145-MR-B		Part number:	TRBB400145
			Rev:	A