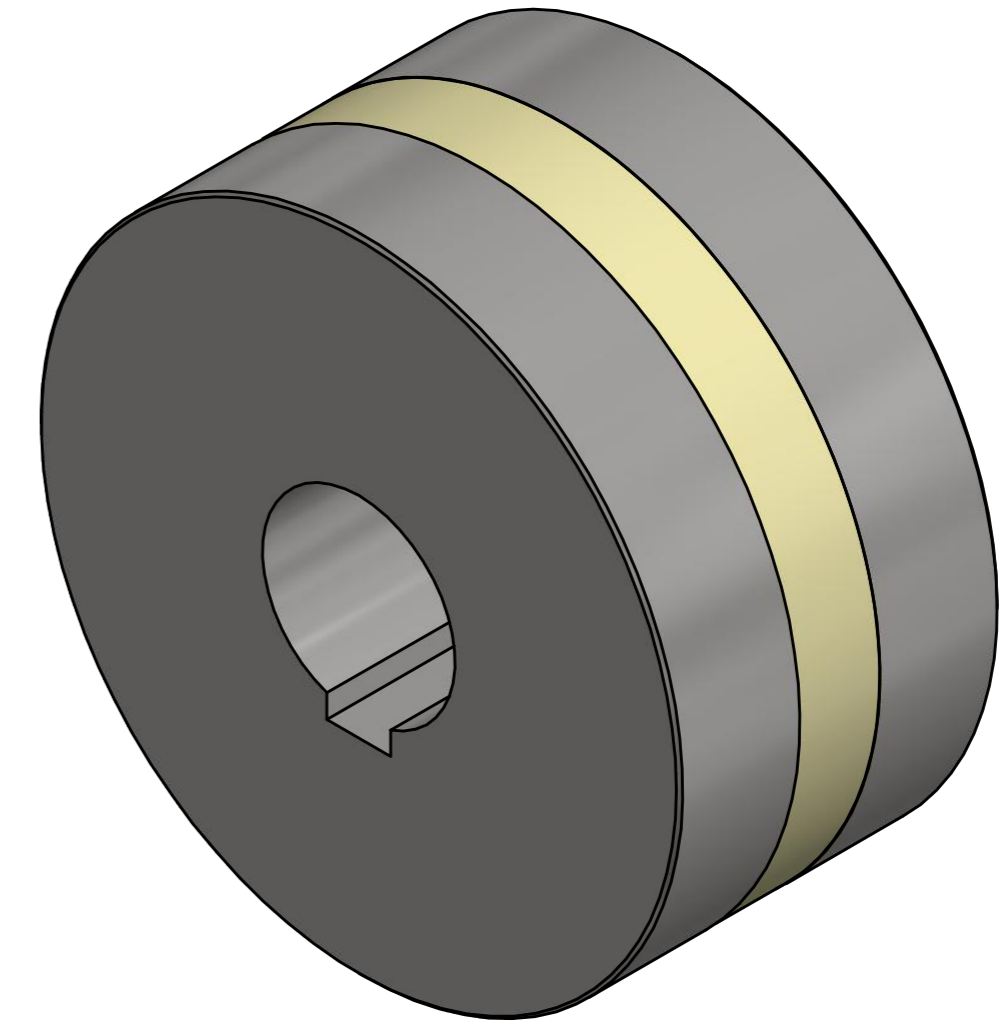
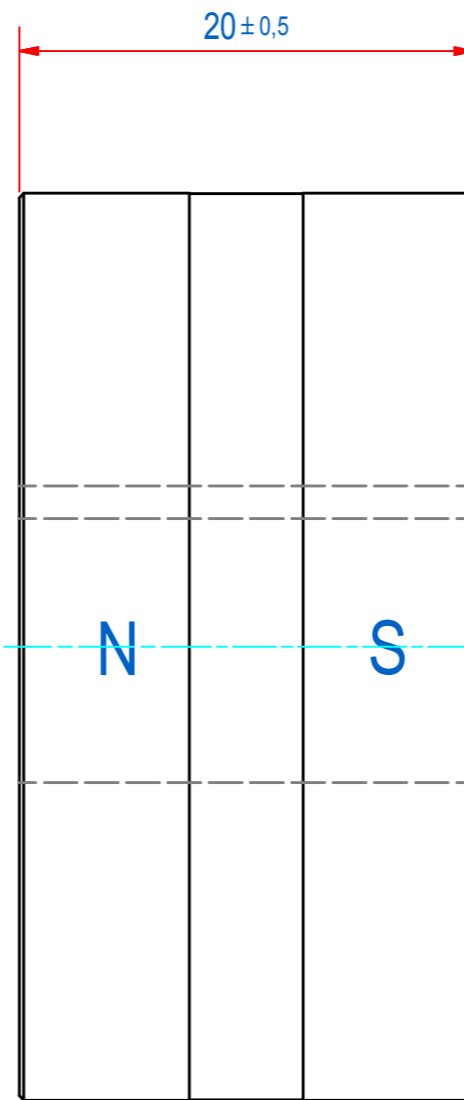
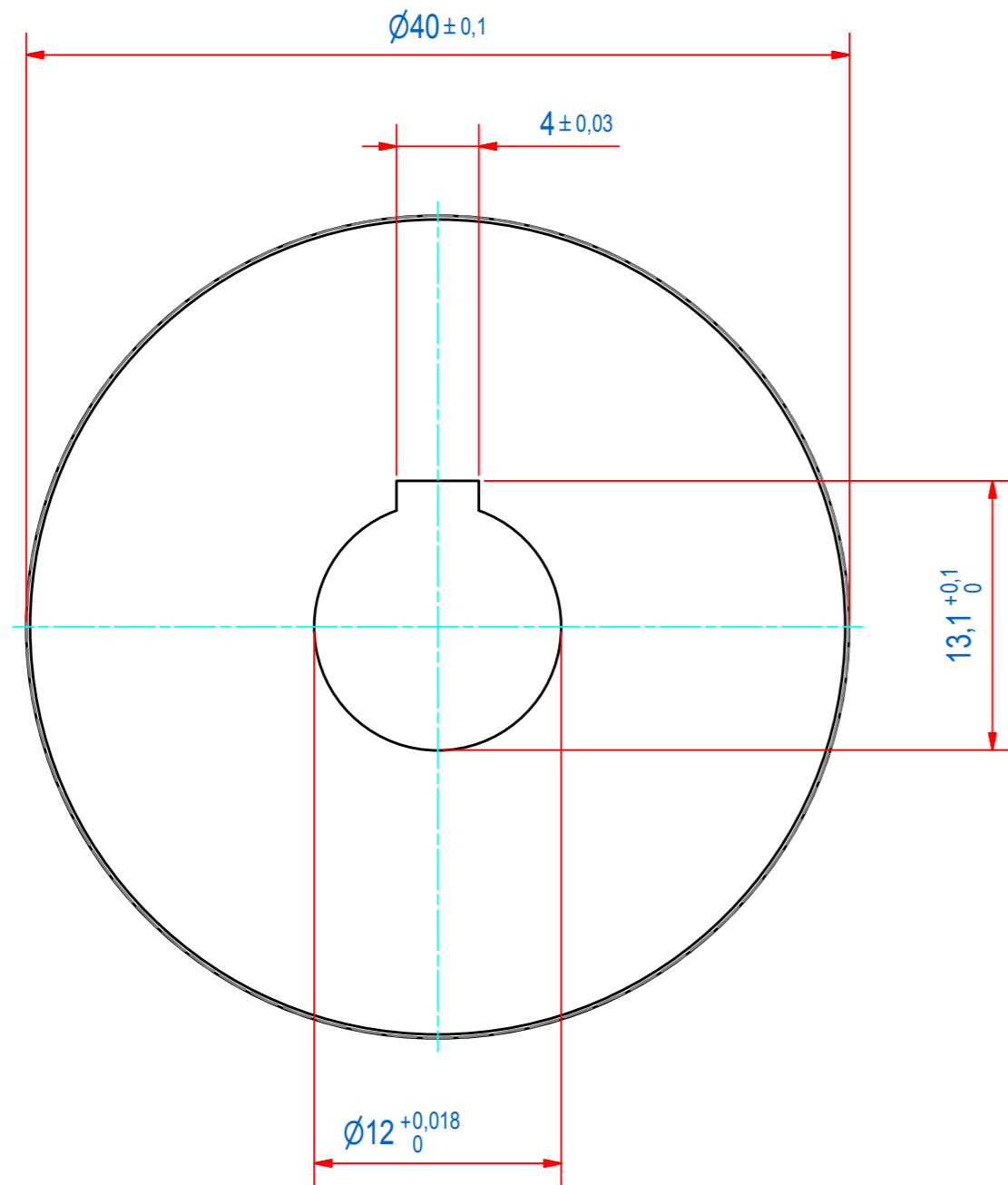


DOC.NR.	REV	DATE	BY	DESCRIPTION
E0083884	-	23-10-2017	PV	ORIGINAL DRAWING



RAW MAT.	1	Quantity	Material Number	Material Description	Length (mm)	Width (mm)
Sheet:	A2	Extra info:	MAGNETIC ROLLER <sup>(ref)</sup>		General tolerance: ISO 2768 - mK	
Drawn:	PV	Weight (kg):	0,2		Drawn according: ISO268; ISO1101; ISO2553	
Date:	9-10-2017	Spare part:		False	Status: Standard	
Quick search:	TRAA020	Description:		HRS-F-D040-d012-020-MB-B	Document number:	E0083884
				Part number:		TRBD040001
				Rev:		-