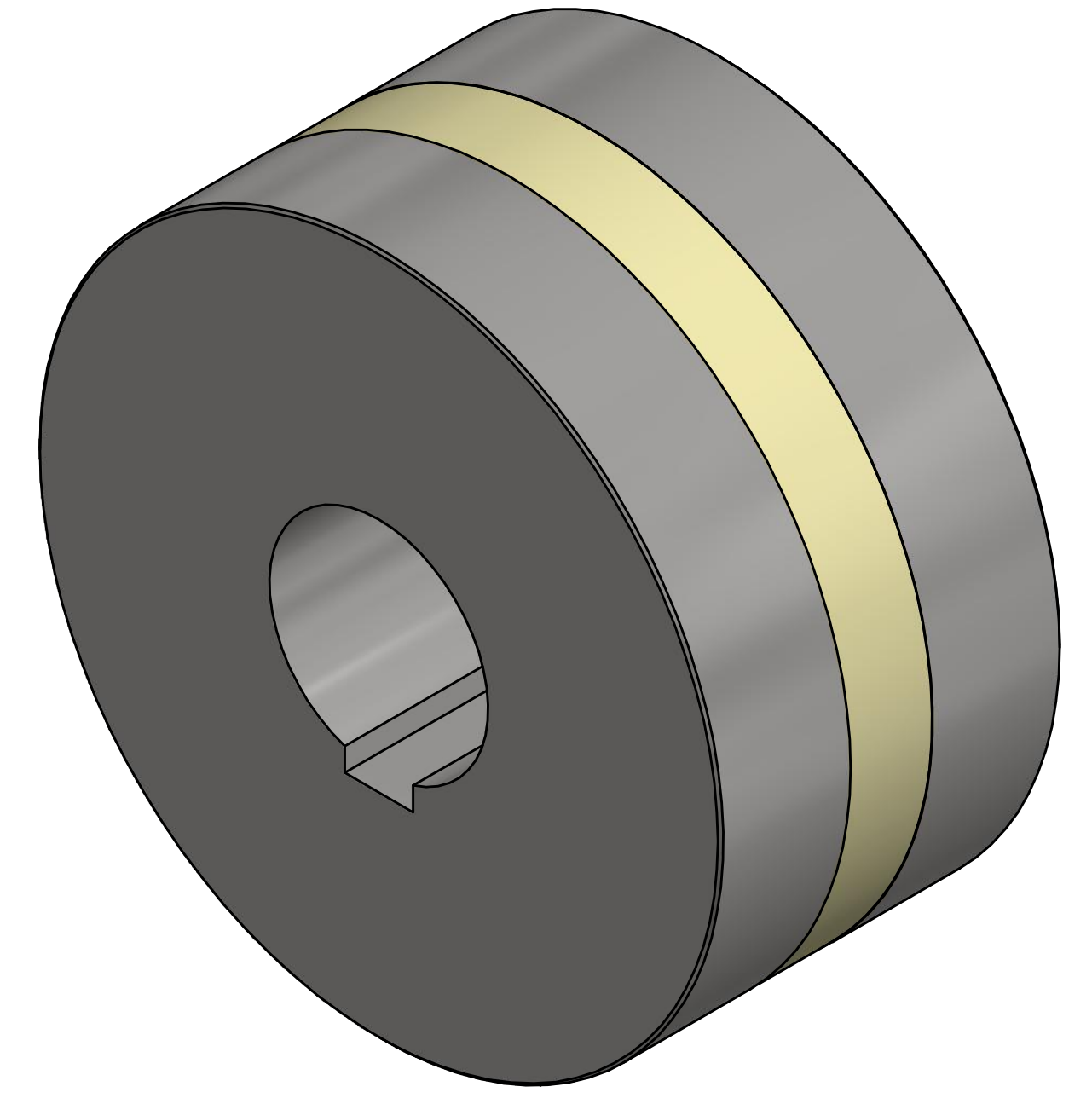
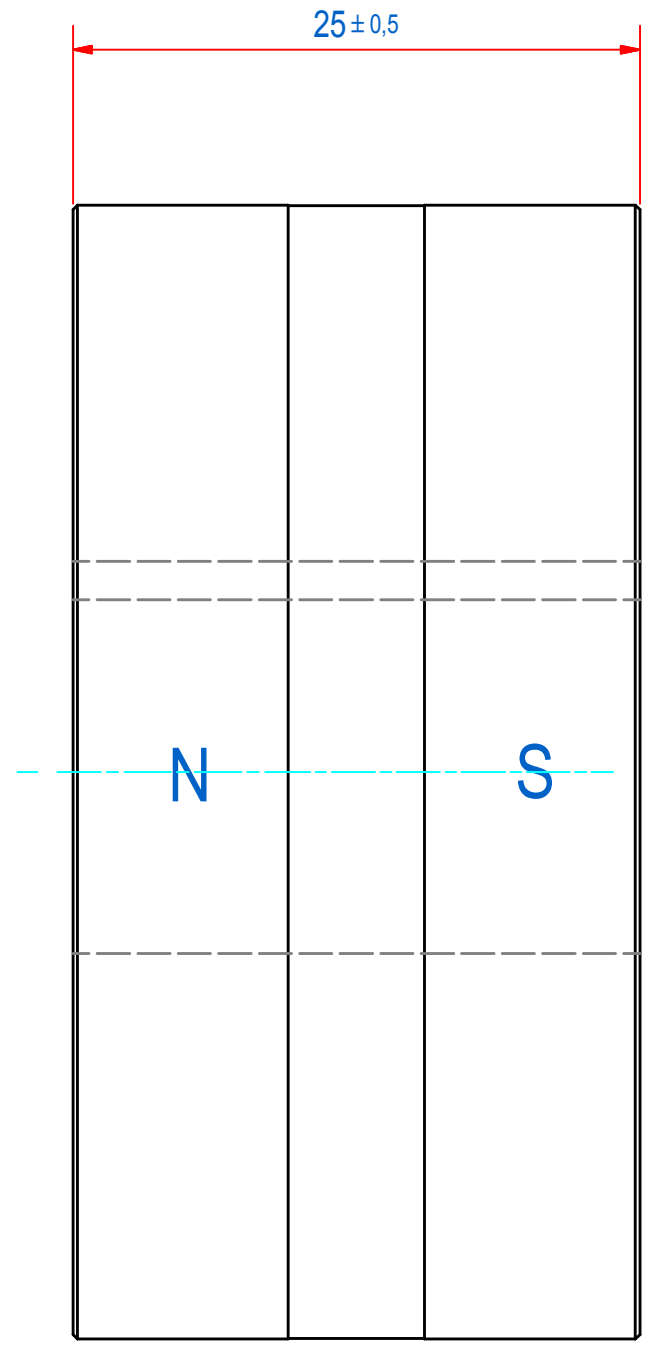
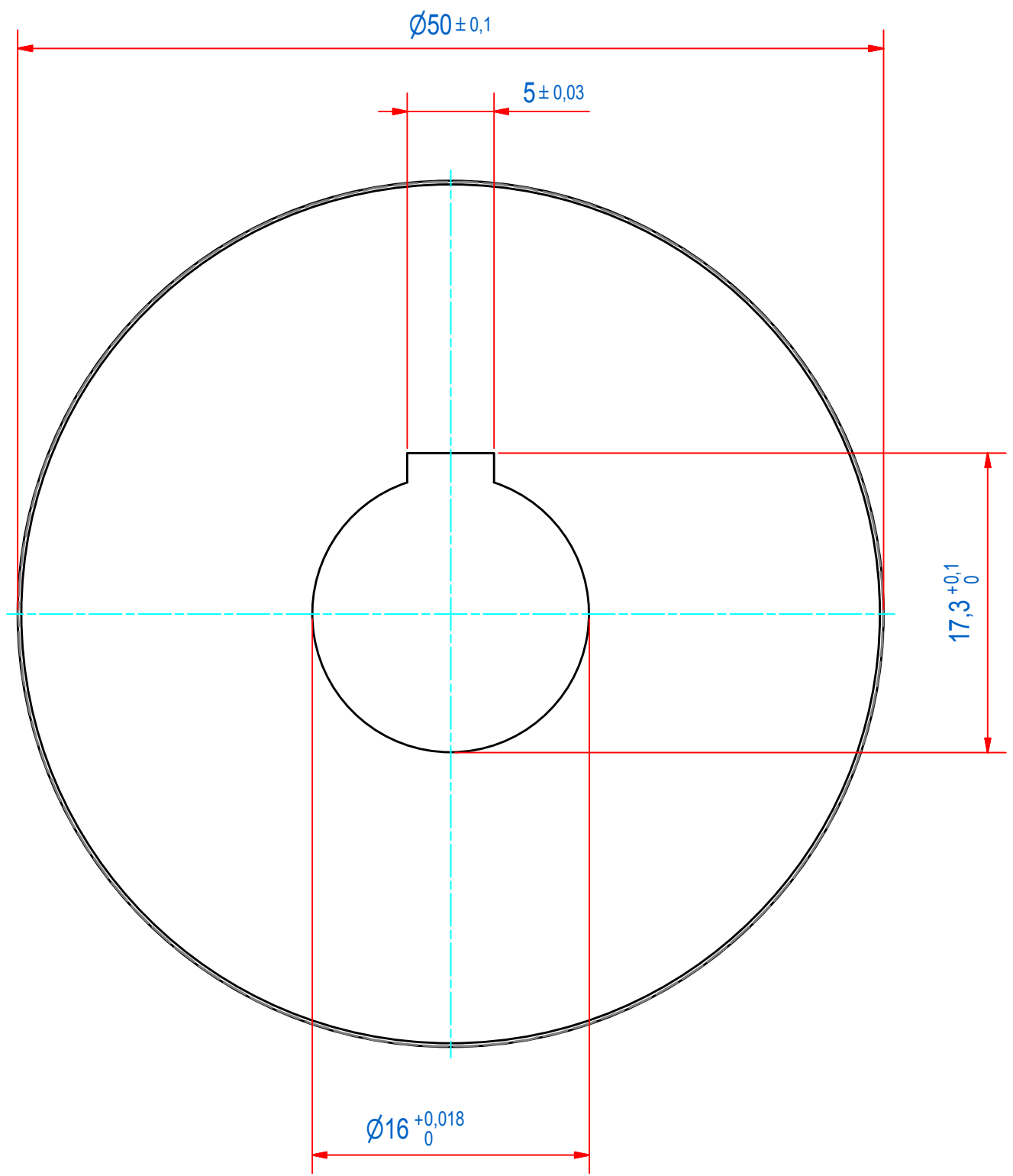


DOC.NR.	REV	DATE	BY	DESCRIPTION
E0083888	-	23-10-2017	PV	ORIGINAL DRAWING



RAW MAT.	Quantity	Material Number	Material Description	Length (mm)	Width (mm)
1					
Sheet: <b>A2</b>		Extra info: <i>(ref)</i> MAGNETIC ROLLER		General tolerance: <b>ISO 2768 - mK</b>	
Drawn: <b>PV</b>		Weight (kg): <b>0,4</b>		Drawn according: <b>ISO268; ISO1101; ISO2553</b>	
Date: <b>9-10-2017</b>				Status: <b>Standard</b>	
Spare part: <b>False</b>				Customer reference number:	
Quick search: <b>TRAA025</b>		<small>© All rights reserved. Reproduction is not permitted without written permission of GOUDSMIT Magnetic Systems BV</small>		Document number: <b>E0083888</b> Doc.Rev:	
Description: <b>HRS-F-D050-d016-025-MB-B</b>				Part number: <b>TRBD050001</b> Rev:	