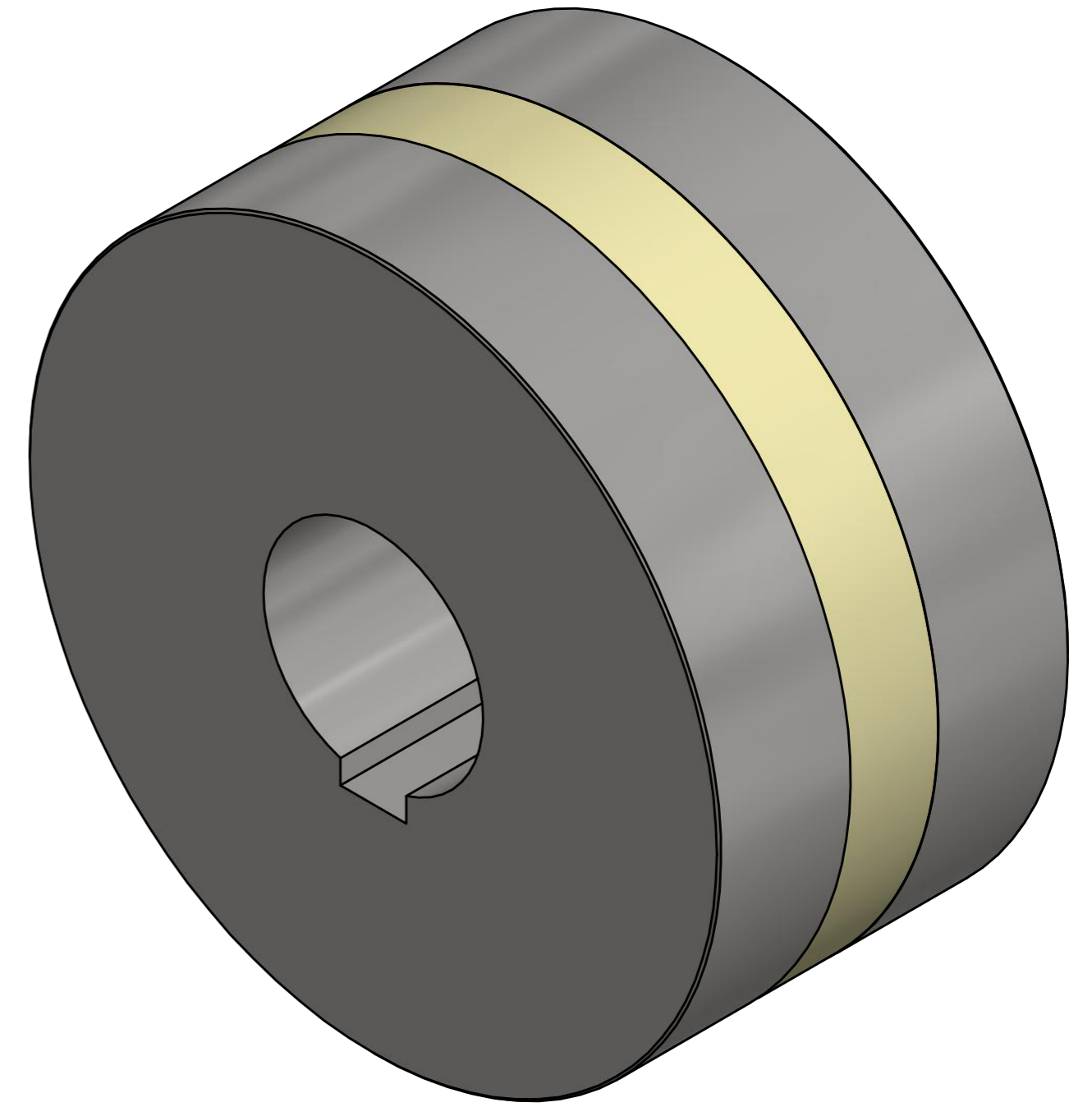
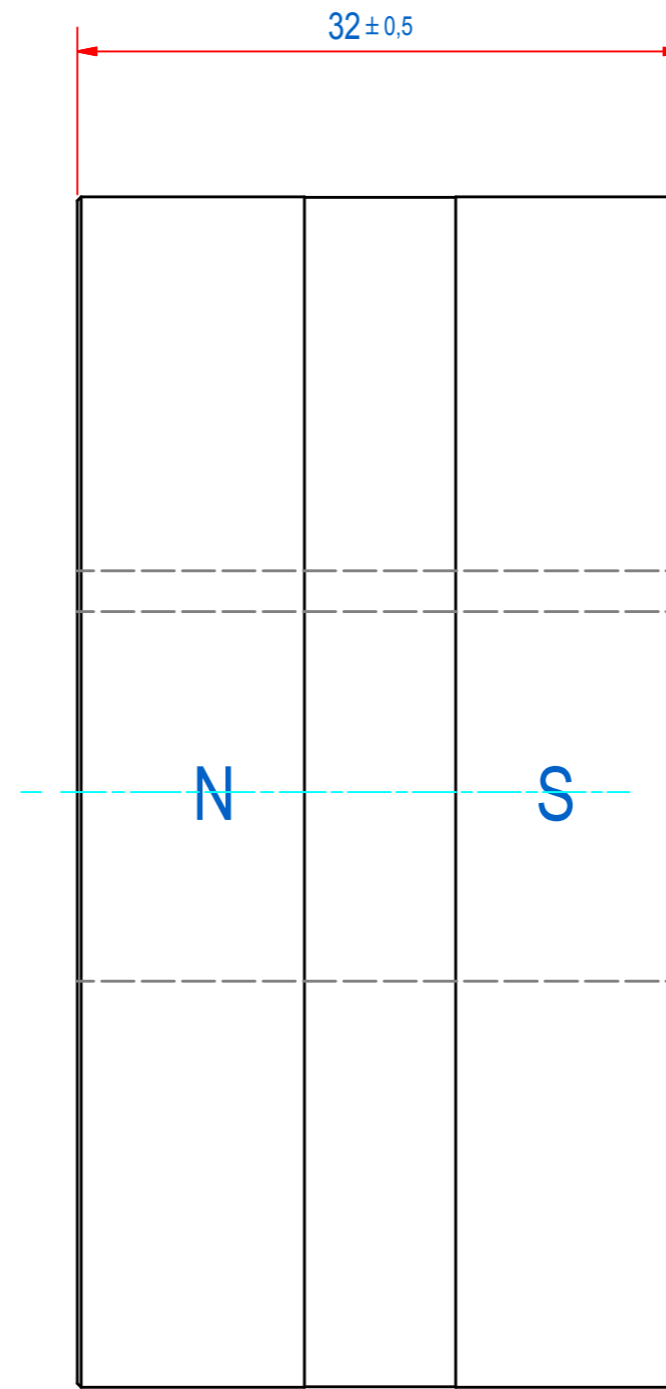
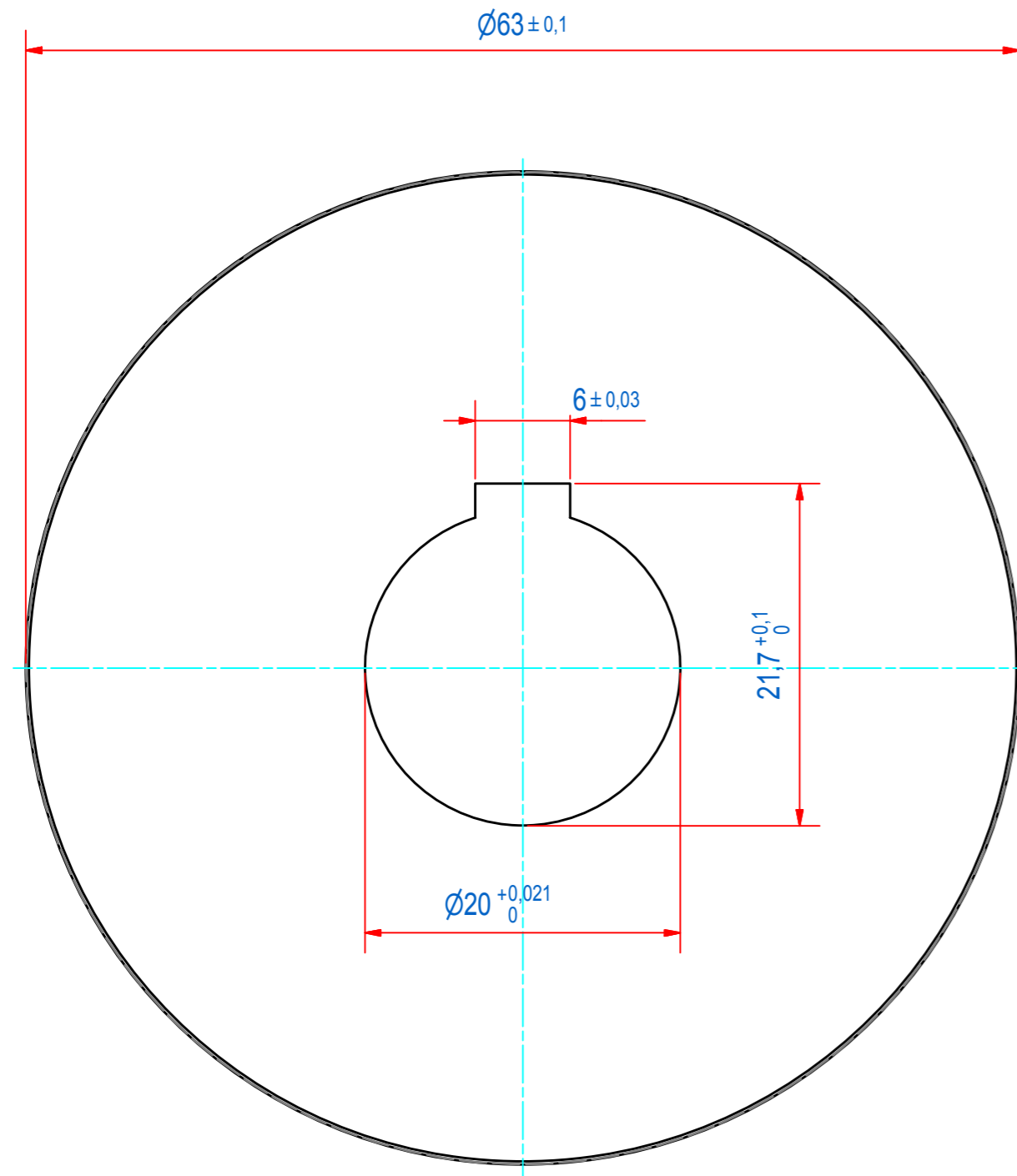


DOC.NR.	REV	DATE	BY	DESCRIPTION
E0083893	-	23-10-2017	PV	ORIGINAL DRAWING



RAW MAT.	1	Quantity	Material Number	Material Description	Length (mm)	Width (mm)
Sheet:	A2	Extra info:	(ref) MAGNETIC ROLLER		General tolerance: ISO 2768- mK	
Drawn:	PV	Weight (kg):	0,7		Drawn according: ISO268; ISO1101; ISO2553	
Date:	9-10-2017	Spare part:		False	Status: Standard	
Quick search:	TRAA032	Description:		HRS-F-D063-d020-032-MB-B	Document number:	E0083893
				Part number:		TRBD063001
				Doc.Rev:		-
				Rev:		-