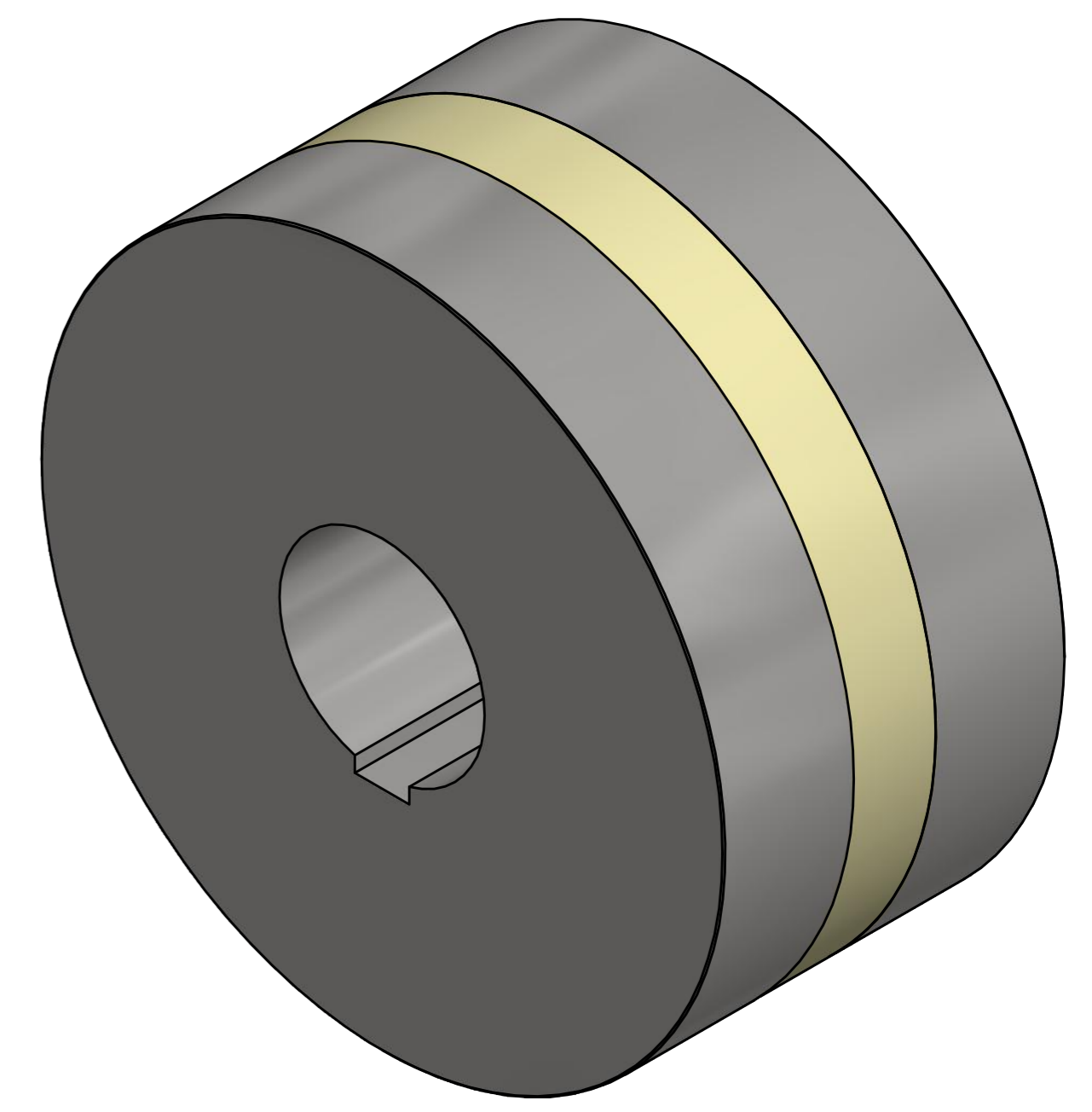
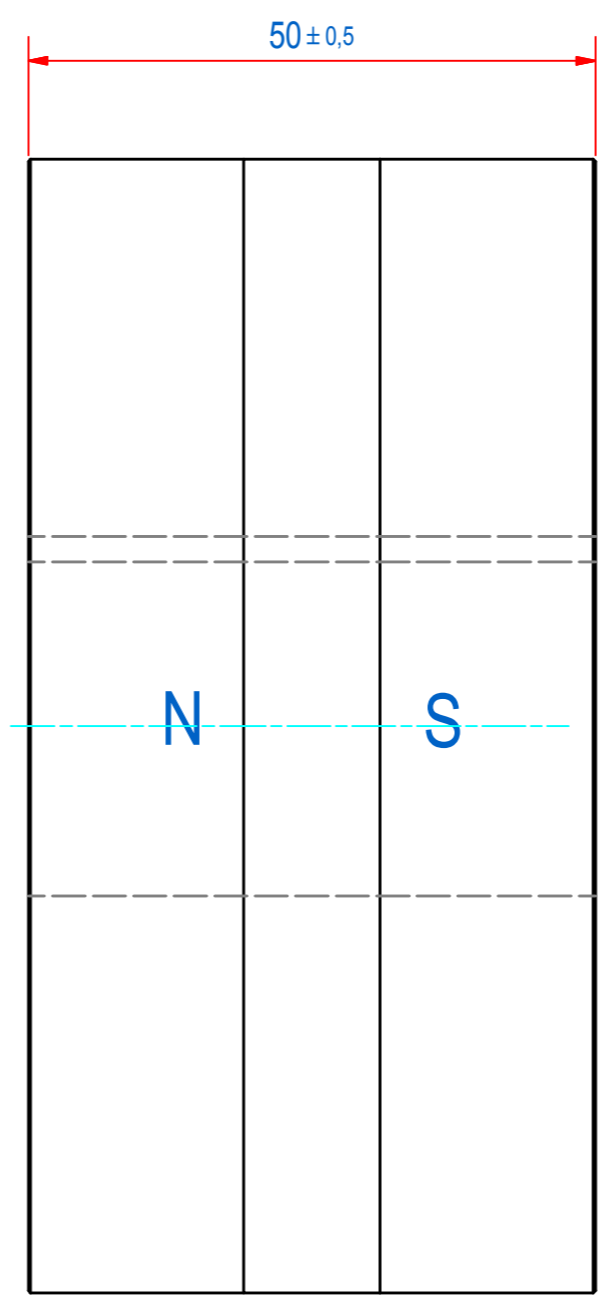
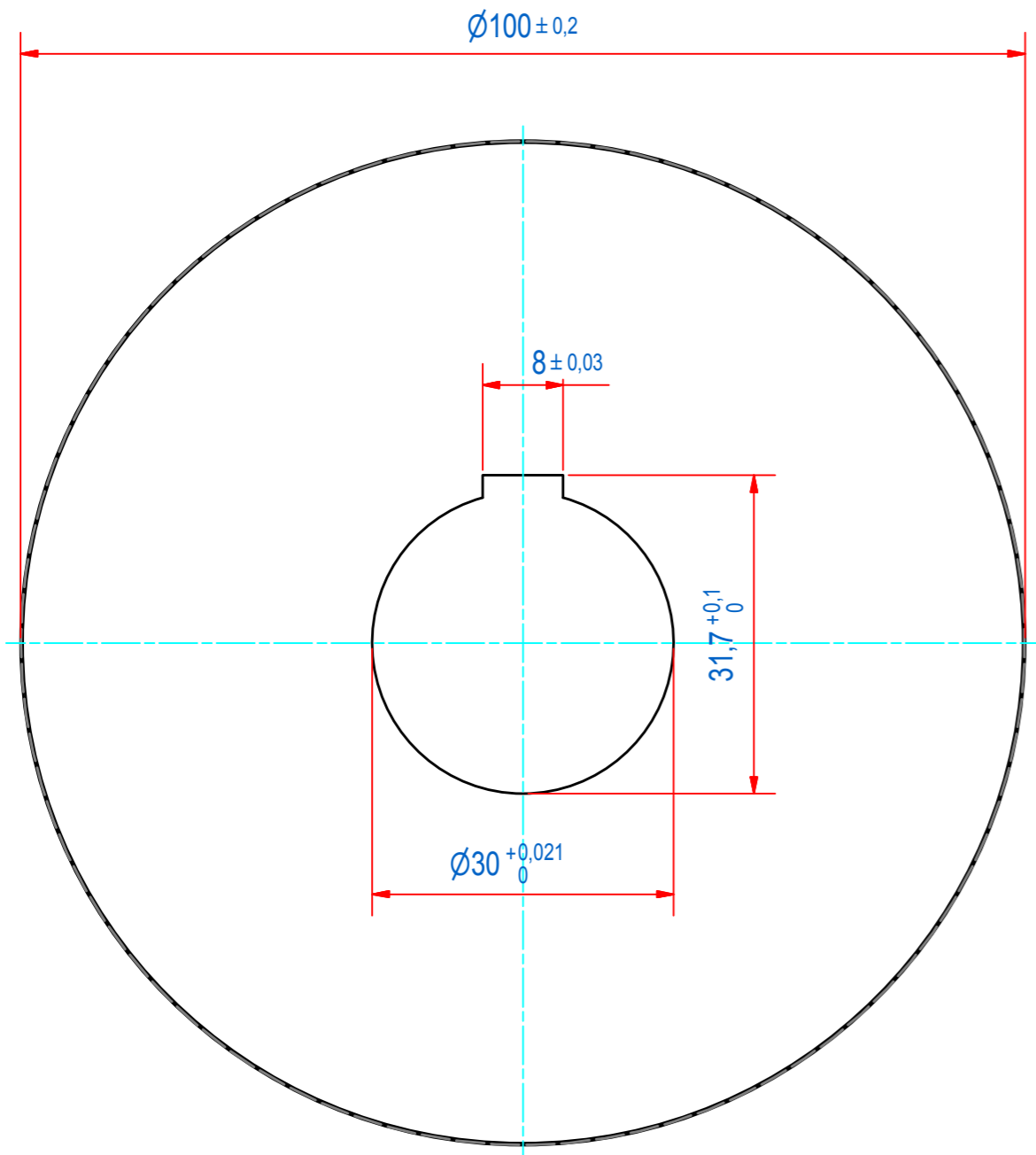


DOC.NR.	REV	DATE	BY	DESCRIPTION
E0083905	-	23-10-2017	PV	ORIGINAL DRAWING



RAW MAT.	1	Quantity	Material Number	Material Description	Length (mm)	Width (mm)
Sheet:	A2	Weight (kg):	2,9	Extra info: (ref) MAGNETIC ROLLER	General tolerance: ISO 2768- mK	
Drawn:	PV	Date:	9-10-2017	GOUDSMIT MAGNETIC SYSTEMS <small>© All rights reserved. Reproduction is not permitted without written permission of GOUDSMIT Magnetic Systems BV</small>	Drawn according: ISO268; ISO1101; ISO2553	
Spare part:	False	Quick search:	TRAA050		Status: Standard	Customer reference number:
Description:	HRS-F-D100-d030-050-MB-B				Document number:	Doc.Rev:
					E0083905	-
					Part number:	Rev:
					TRBD100003	-