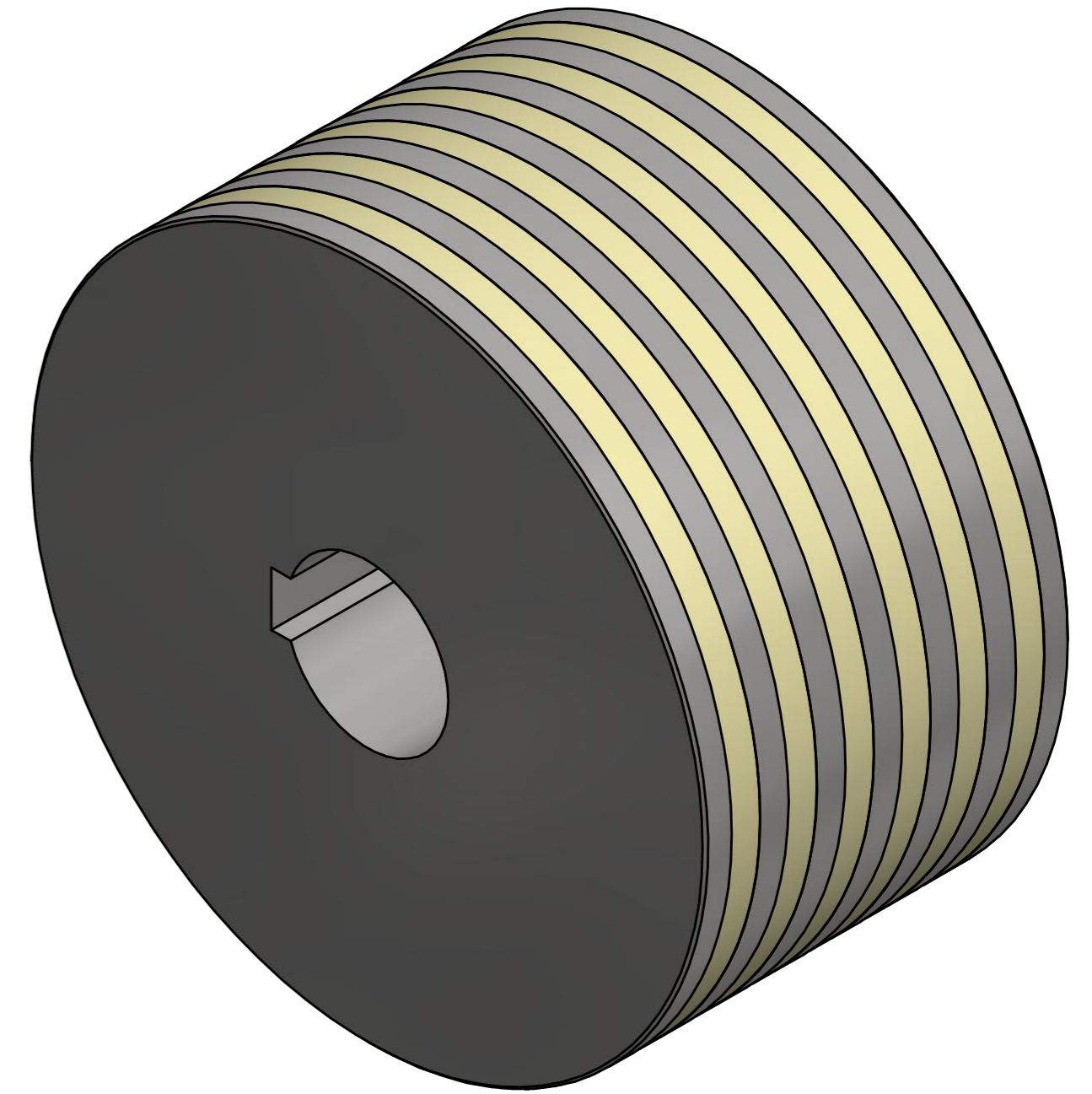
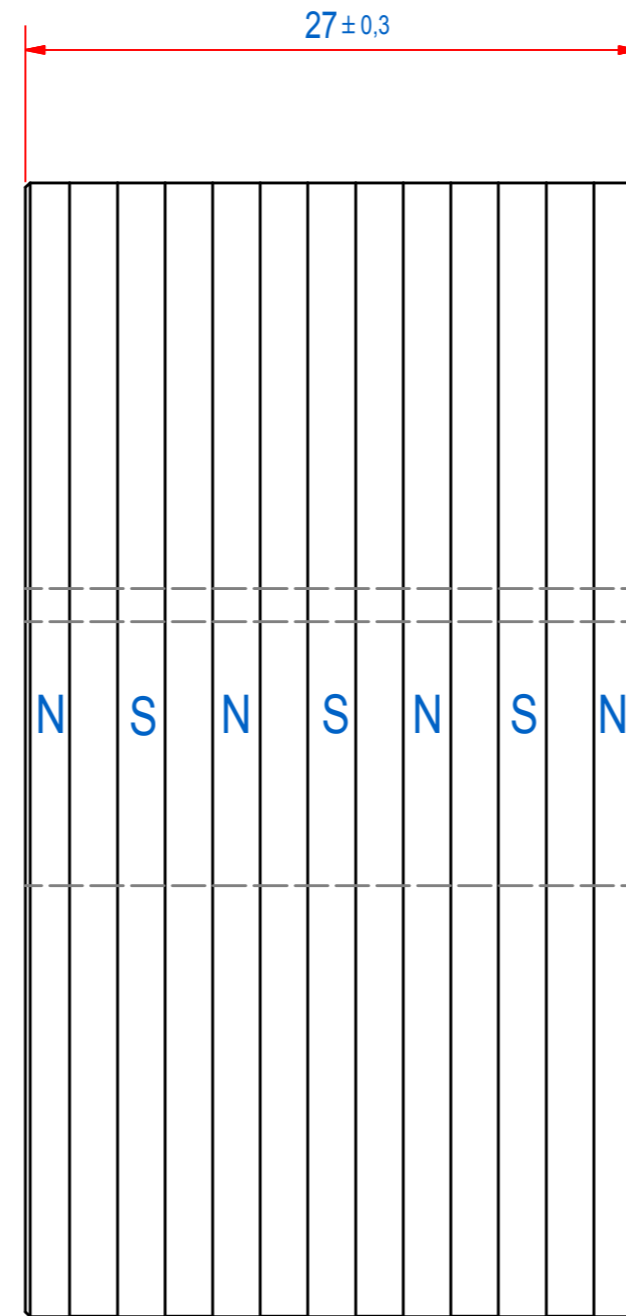
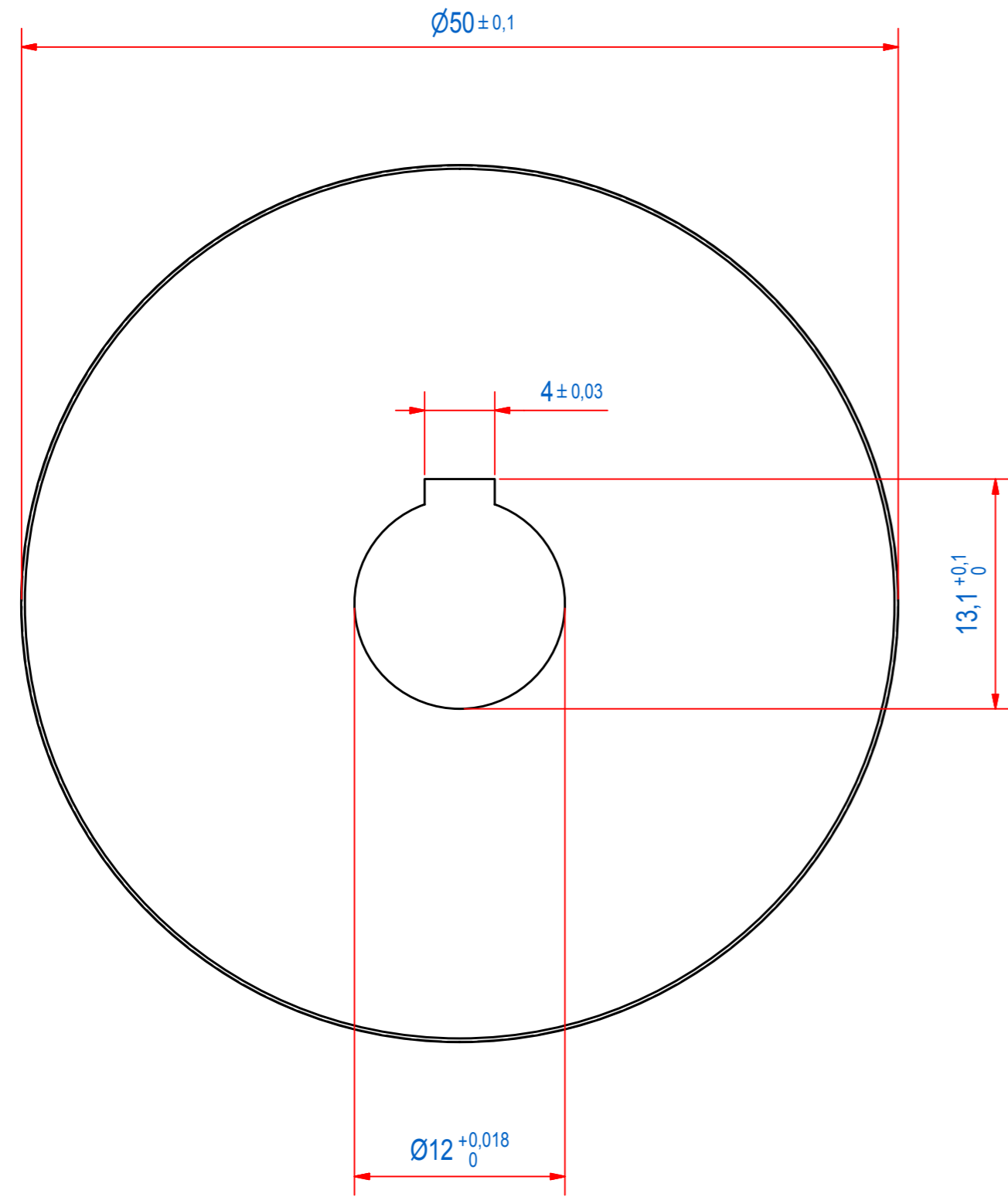


3	2	1	DESCRIPTION	
DOC.NR.	REV	DATE	BY	DESCRIPTION
E0083862	-	23-10-2017	PV	ORIGINAL DRAWING



RAW MAT.	1	Quantity	Material Number	Material Description	Length (mm)	Width (mm)
Sheet:	A2	Extra info:	(ref) MAGNETIC ROLLER		General tolerance: ISO 2768- mK	
Drawn:	PV	Weight (kg):	0,4		Drawn according: ISO268; ISO1101; ISO2553	
Date:	5-10-2017	GoudsmIT		Status: Standard		
Spare part:	False	MAGNETIC SYSTEMS		Customer reference number:		
Quick search:	TRBE027	© All rights reserved. Reproduction is not permitted without written permission of GOUDSMIT Magnetic Systems BV		Document number:	E0083862	
Description:	HRS-F-D050-d012-027-07-B			Part number:	TRBE050001	