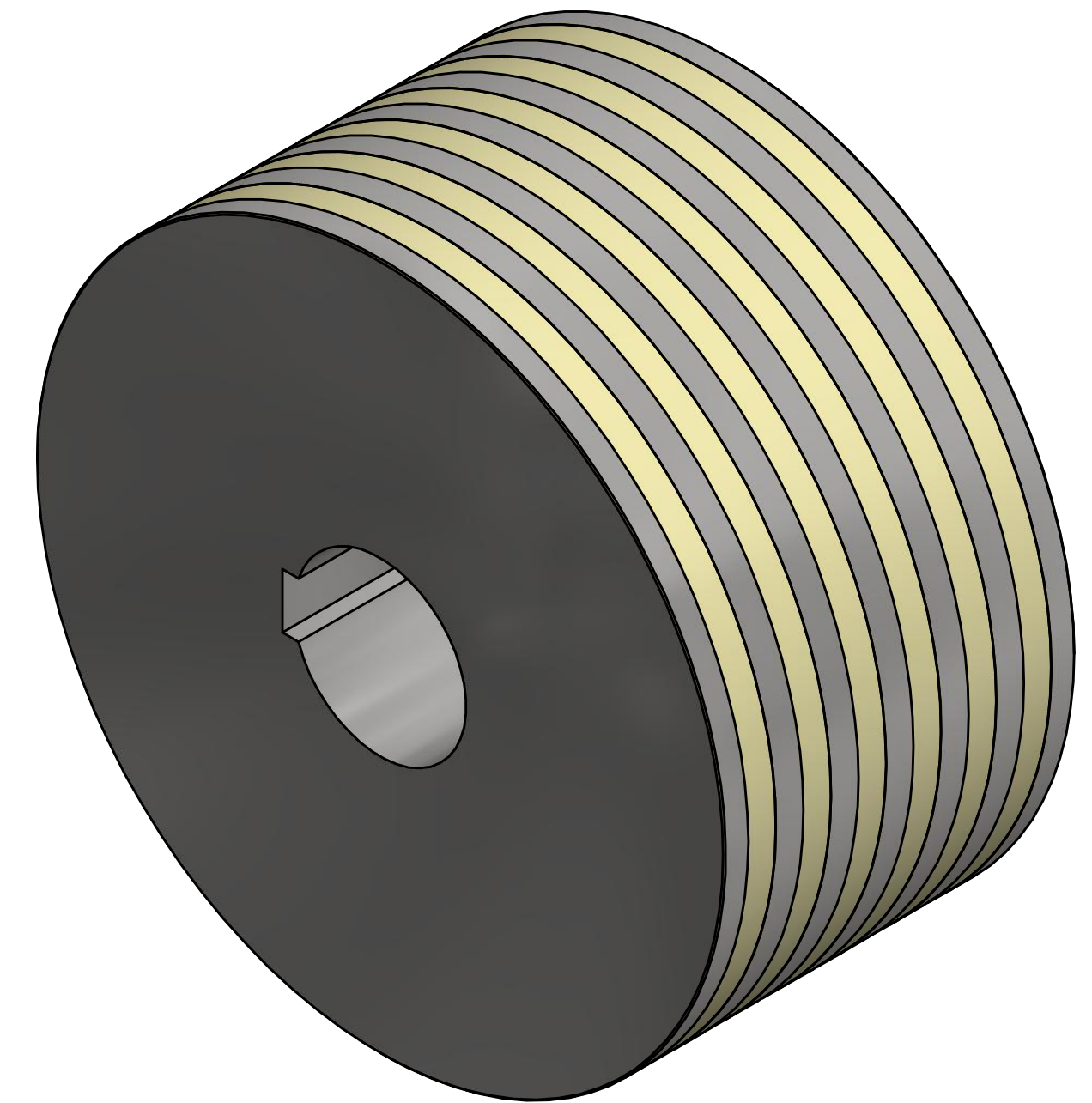
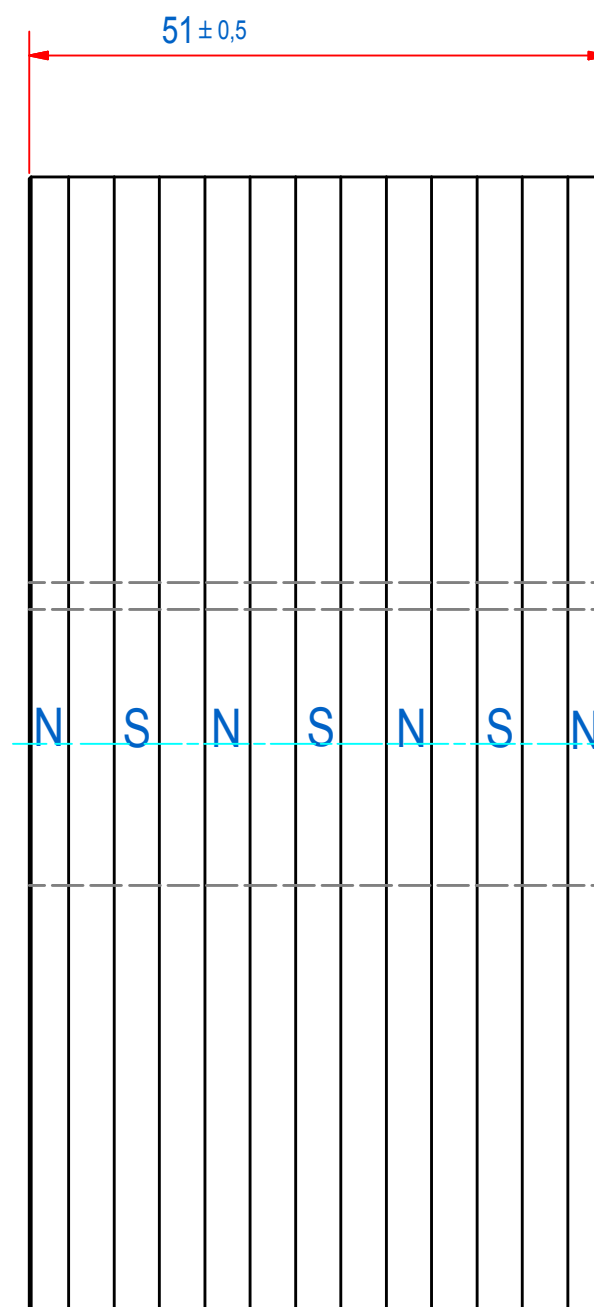
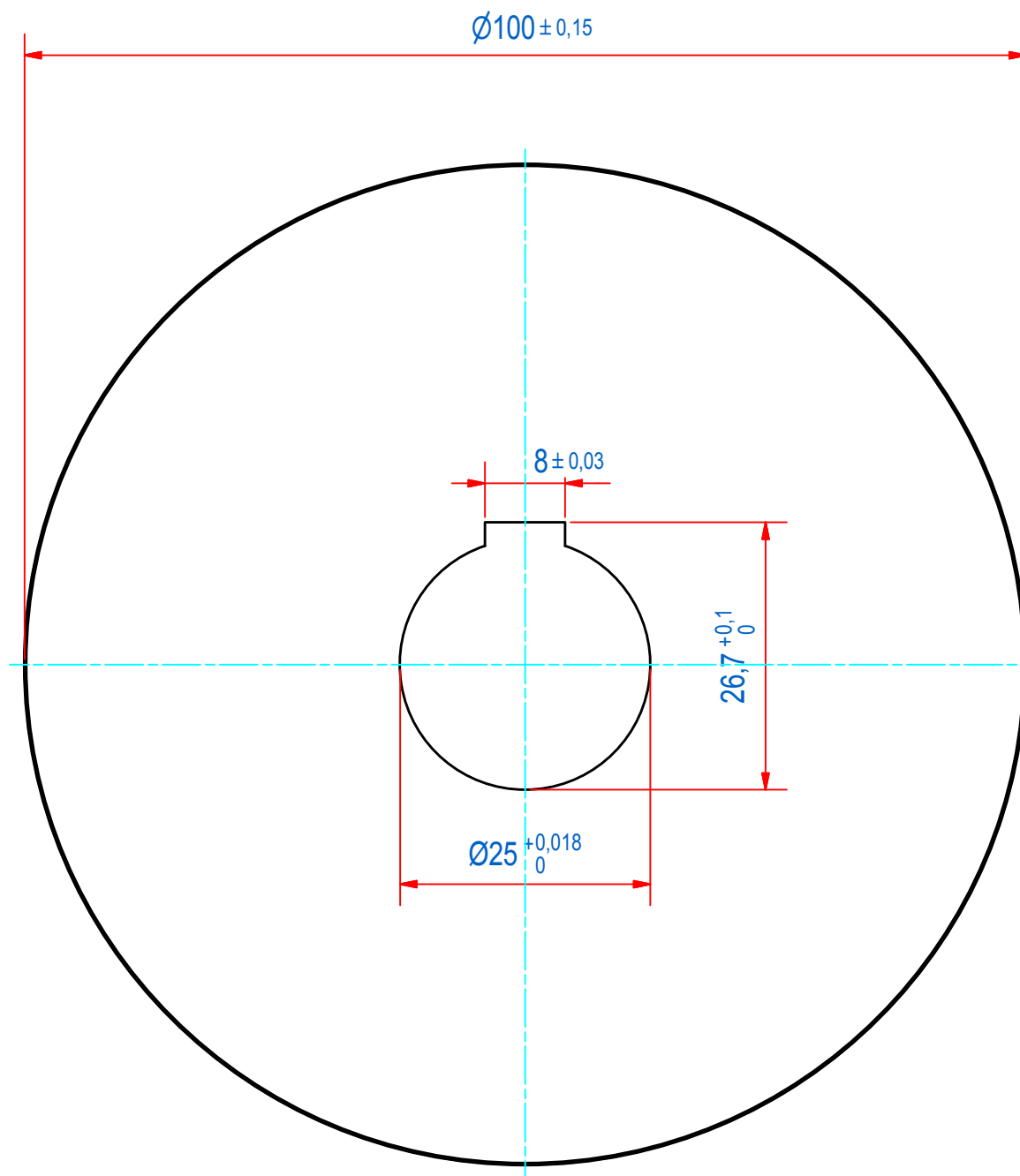


| DOC.NR. | REV | DATE | BY | DESCRIPTION |
|----------|-----|------------|----|------------------|
| E0084104 | - | 23-10-2017 | PV | ORIGINAL DRAWING |



| | | | | | | |
|--------------|--------------------------|---------------|-----------------|---|---|----------------------------|
| RAW MAT. | 1 | Quantity | Material Number | Material Description | Length (mm) | Width (mm) |
| Sheet: | A2 | Weight (kg): | 3 | Extra info: (ref) MAGNETIC ROLLER | General tolerance: ISO 2768- mK | |
| Drawn: | PV | Date: | 5-10-2017 | GOUDSMIT MAGNETIC SYSTEMS <small>© All rights reserved. Reproduction is not permitted without written permission of GOUDSMIT Magnetic Systems BV</small> | Drawn according: ISO268; ISO1101; ISO2553 | |
| Spare part: | False | Quick search: | TRBE051 | | Status: Standard | Customer reference number: |
| Description: | HRS-F-D100-d025-051-07-B | | | | Document number: | Doc.Rev: |
| | | | | | E0084104 | - |
| | | | | | Part number: | Rev: |
| | | | | | TRBE100001 | - |