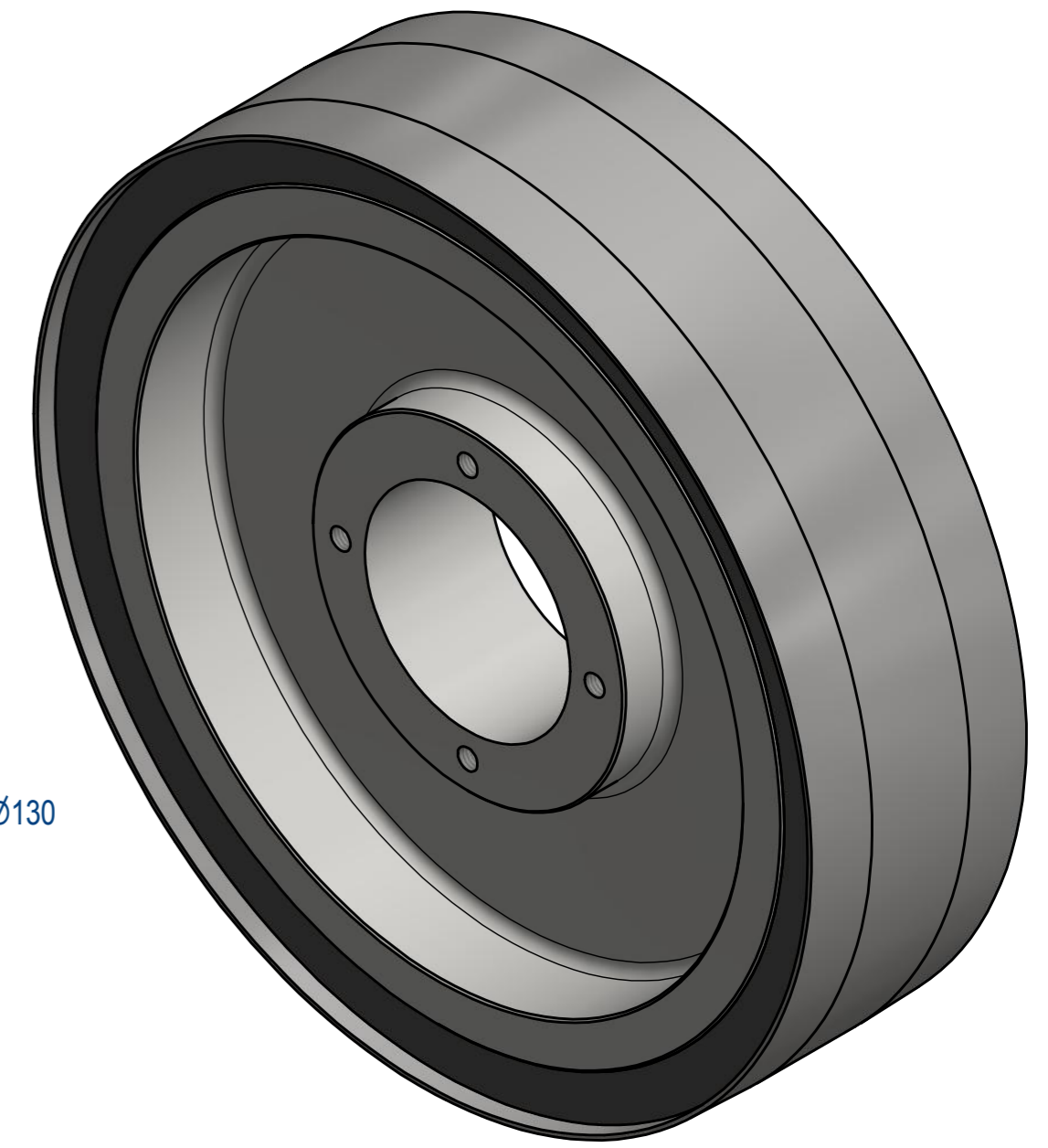
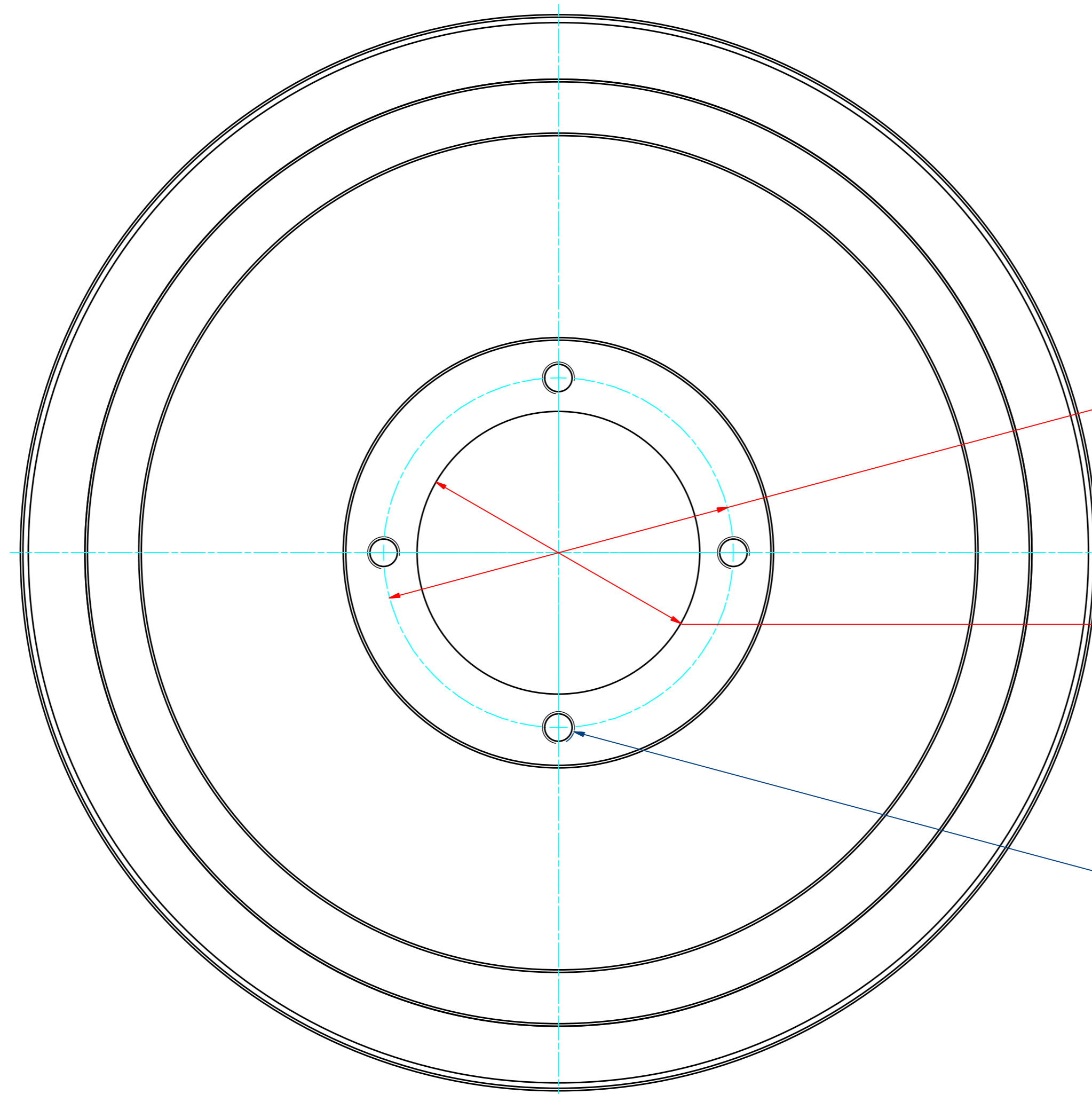
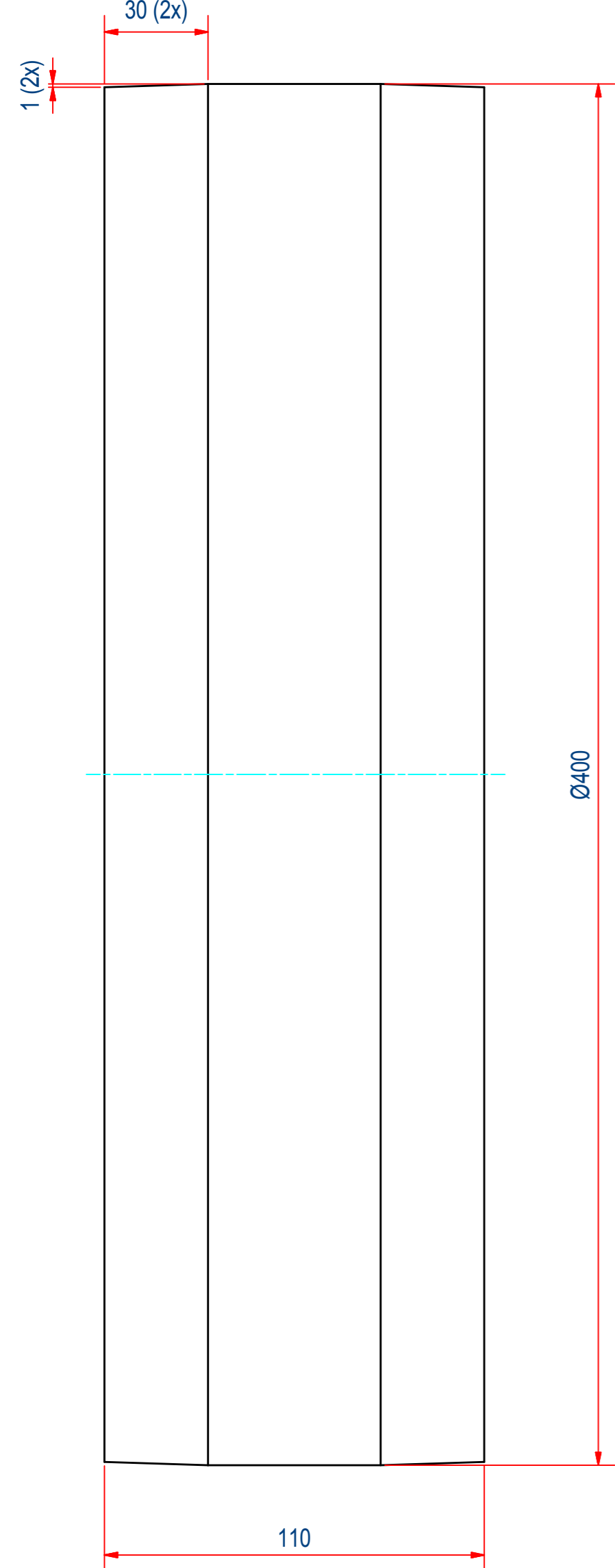


REV	DATE	BY	DESCRIPTION
-	28-5-2013	PB	NEW VAULT, NEW REVISION. NOTHING CHANGED. OLD REV WAS C



PCD. Ø130

Ø105 H8 (+0.054)

M12 x 24 (8x)

ITEM	QTY	PART NUMBER	DESCRIPTION	Dimensions
1	1	M83237	ASSEMBLY DRAWING TRGG400110	
RAW MAT.	1			LENGTH (mm) WIDTH (mm)
Sheet: A2		Extra info: MAGNETIC ROLLER NdFeB MAGNETS		General tolerance: ISO 2768- mK
Drawn: PB	Weight (kg): 45,7			Drawn according: ISO268; ISO1101; ISO2553
Date: 28-5-2013				Status: Standard
Spare part: False				Customer reference number:
Quick search: TRGG400			© All rights reserved. Reproduction is not permitted without written permission of GOUDSMIT Magnetic Systems BV	File number: TRGG400110
Description: HRC-N-D400-d105-110-MB-S				Part number: TRGG400110