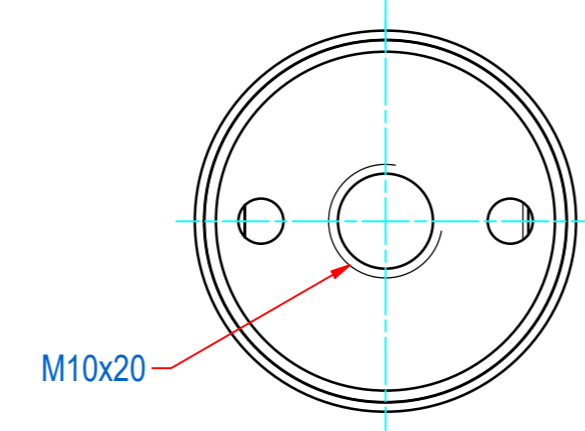
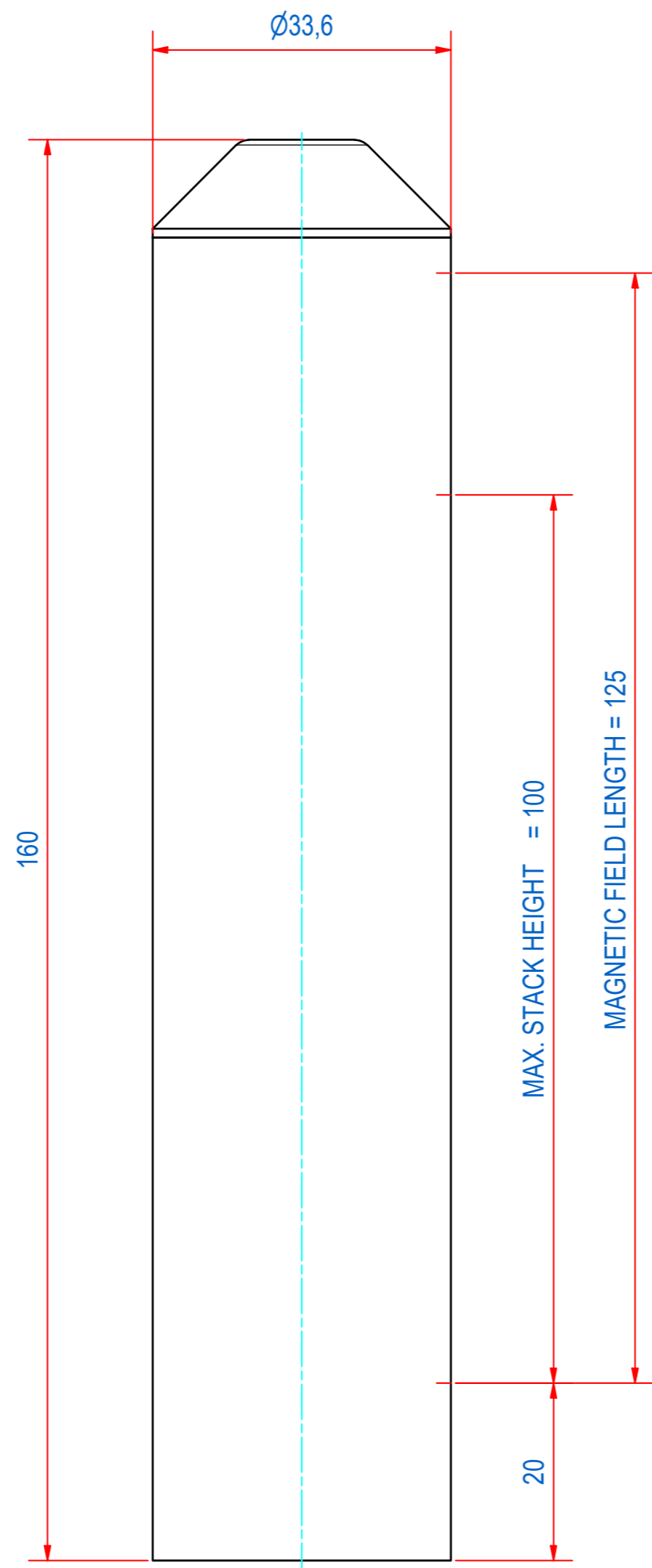


3	2	1		
DOC.NR.	REV	DATE	BY	DESCRIPTION
TRSP341600	-	16-6-2014	BS	NEW VAULT, NOTHING CHANGED, IS EQUAL TO OLD REVISION A



1	1	M35992	ASSY SHEET SEP ROD	Dimensions
ITEM	QTY	PART NUMBER	DESCRIPTION	
RAW MAT.	1			
Quantity	Material Number	Material Description	Length (mm)	Width (mm)
Sheet: A2	Extra info: SHEET SEPARATOR	General tolerance: ISO 2768- mK		
Drawn: BS	Weight (kg): 0,81	Drawn according: ISO286; ISO1101; ISO2553		
Date: 16-6-2014	Status: Standard	Customer reference number:		
Spare part: False	Source: MC-C	Document number: TRSP341600	Doc.Rev: -	
Quick search:	© All rights reserved. Reproduction is not permitted without written permission of GOUDSMIT Magnetic Systems BV		Part number: TRSP341600	Rev: -
Description:	HSS-N-RD-D34-0160-B			