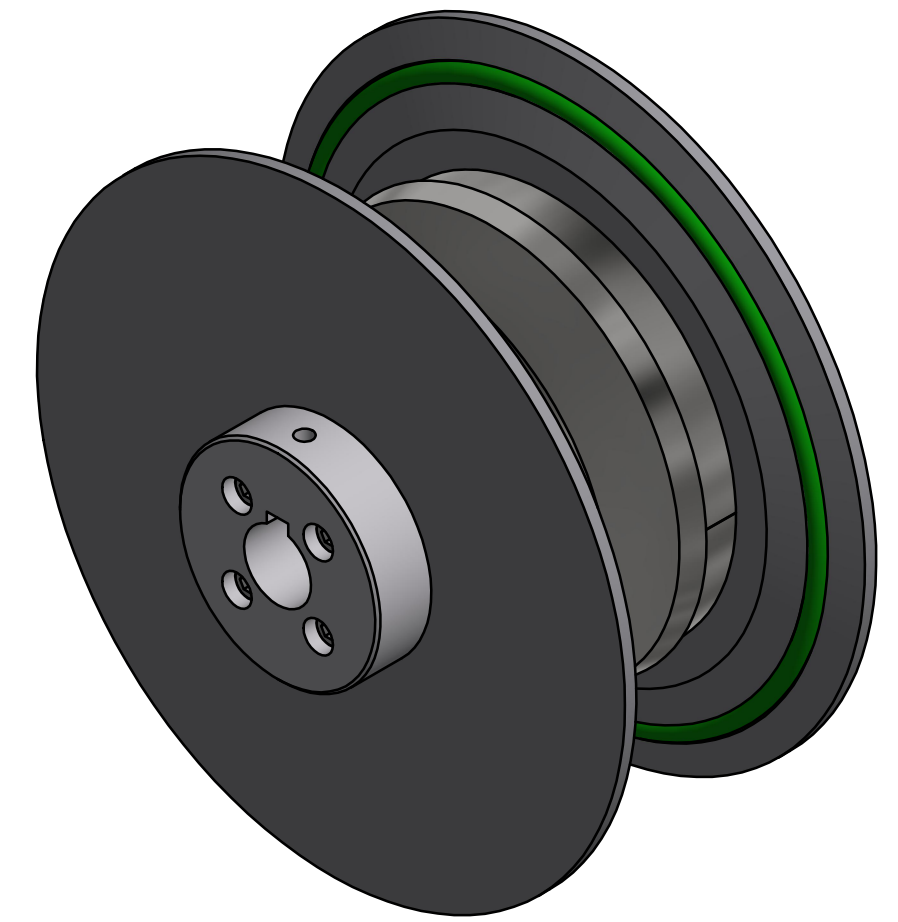
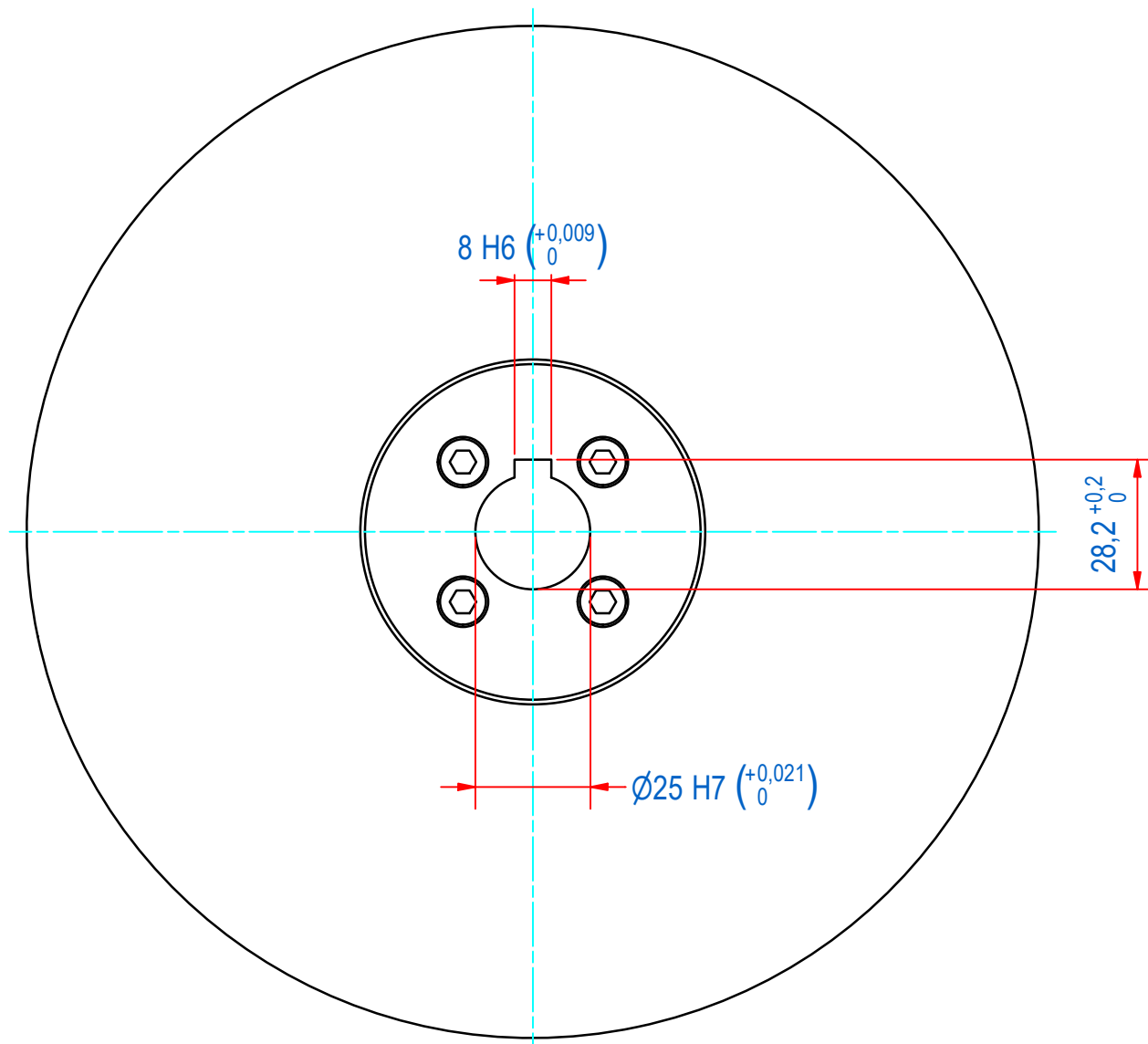
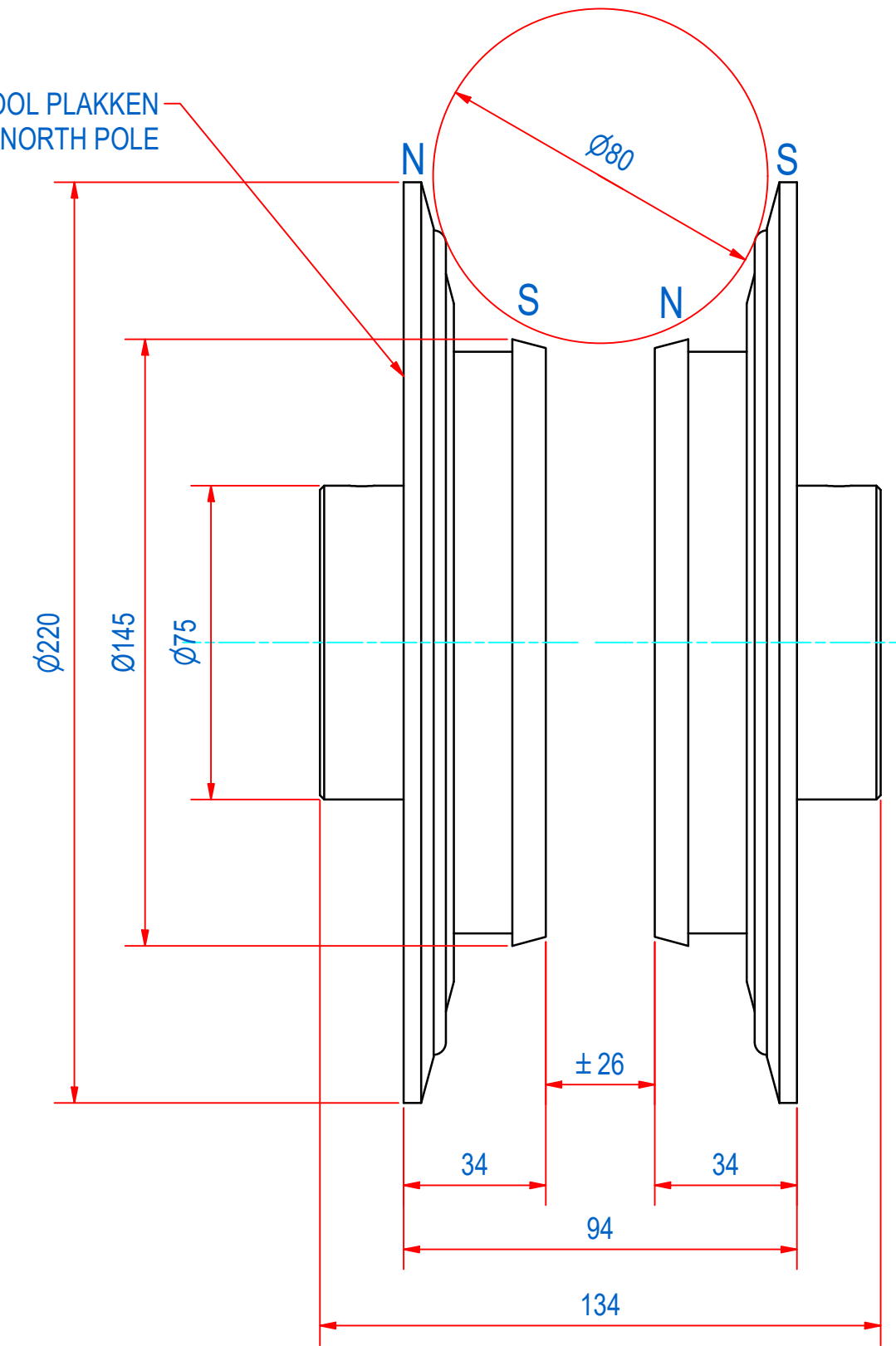


REV	DATE	BY	DESCRIPTION
-	25-9-2013	BS	CONVERTED TO INVENTOR, NOTHING CHANGED, OLD REV B

STICKER " N " OP BUITENNOORDPOOL PLAKKEN  
PLACE STICKER " N " ON OUTER NORTH POLE



ITEM	QTY	PART NUMBER	DESCRIPTION	Dimensions
1	1	TR0062	ASSEMBLY DRAWING	
RAW MAT.	1			Length (mm) Width (mm)
Quantity		Material Number	Material Description	
Sheet:	A2	Extra info:	MAGNETIC ROLLER D220xD25 FOR LIDS D52 TOD100	General tolerance: ISO 2768- mK
Drawn:	BS	Weight (kg):	9,5	Drawn according: ISO268; ISO1101; ISO2553
Date:	25-9-2013			Status: Standard
Spare part:	False	Source:		Customer reference number:
Quick search:	TRUS080			Document number: TRUS006001 Doc.Rev: -
Description:	HRL-F-052/100-d025-B-F			Part number: TRUS006001 Rev: -



© All rights reserved. Reproduction is not permitted without written permission of GOUDSMIT Magnetic Systems BV