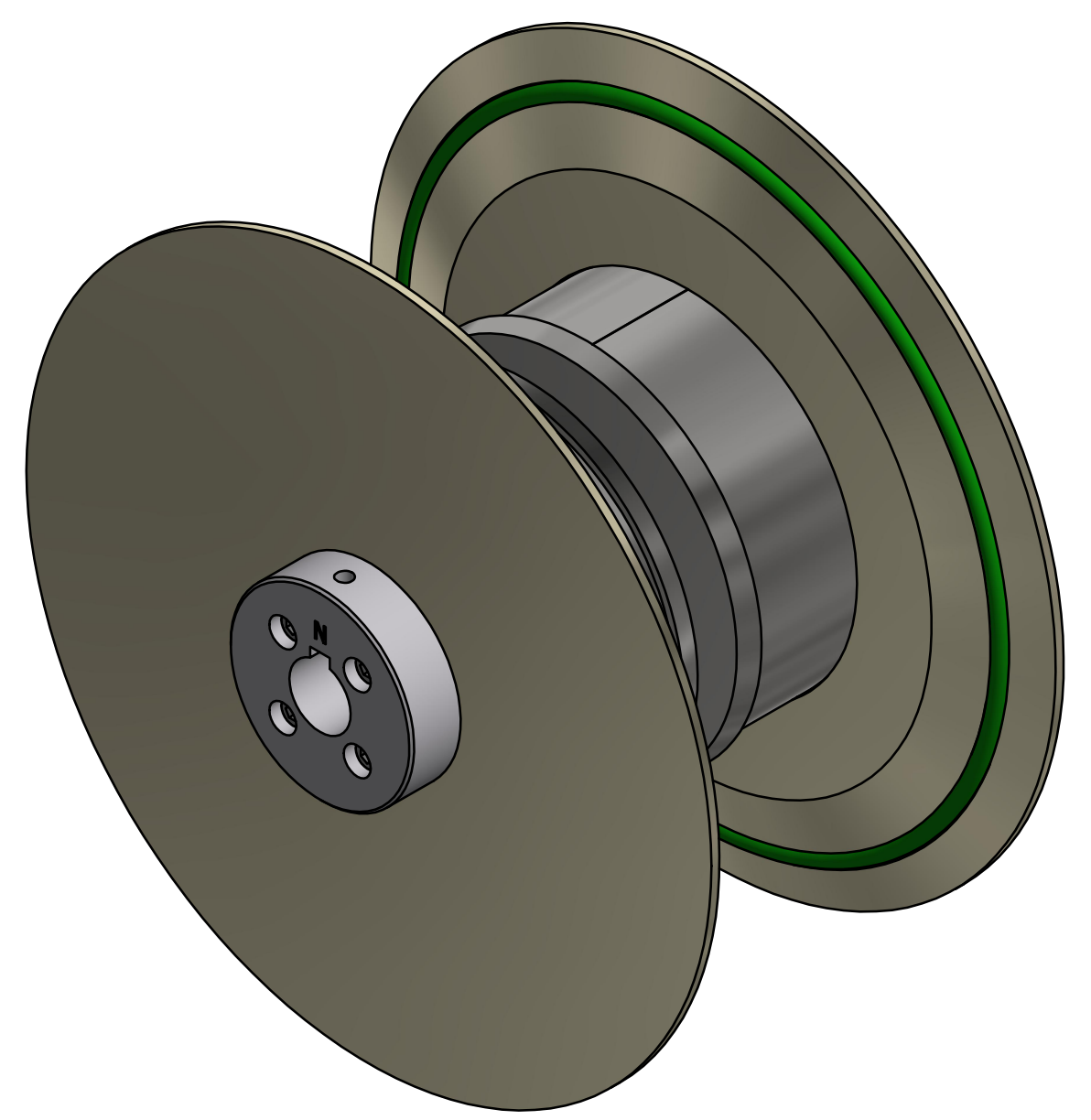
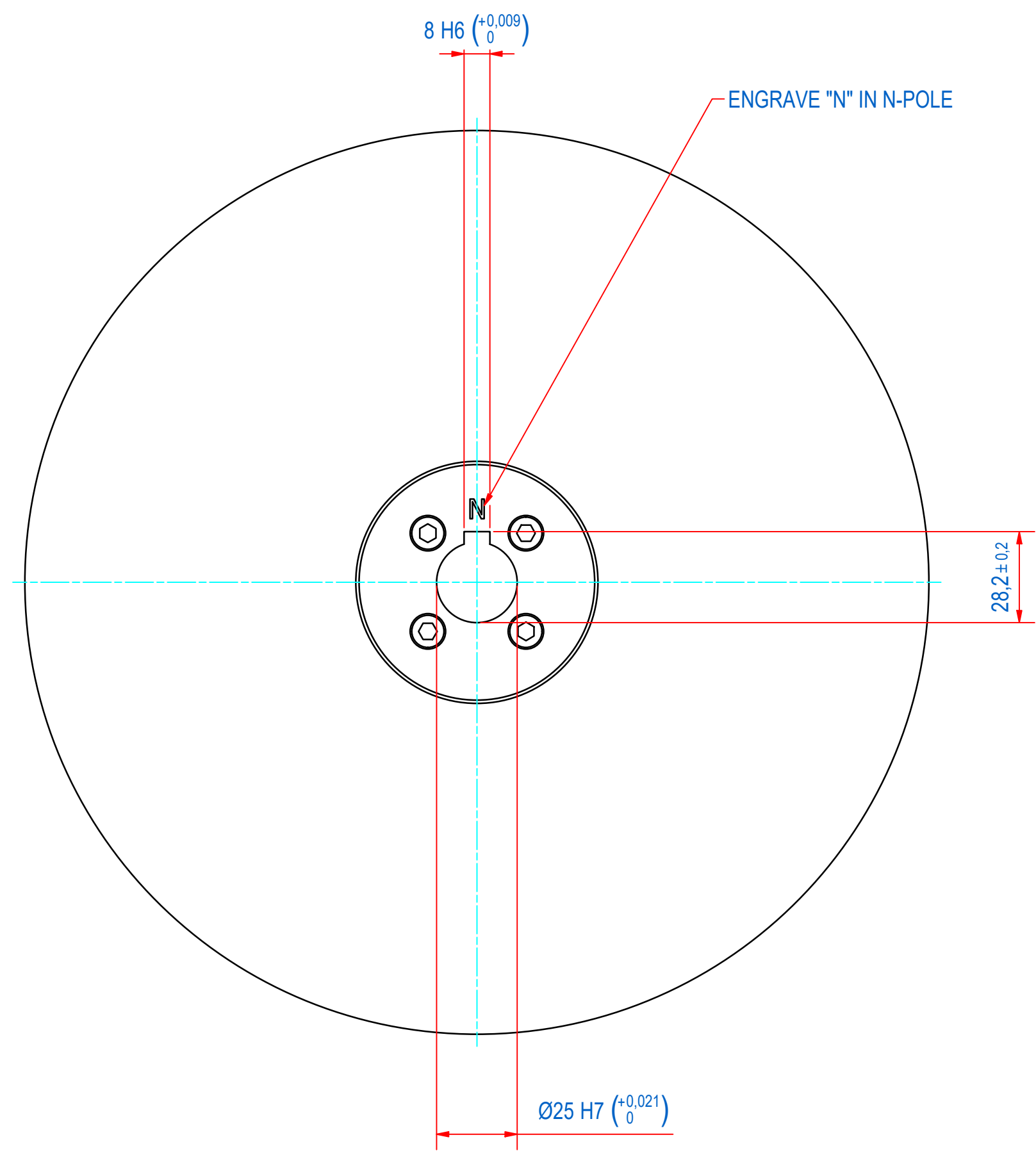
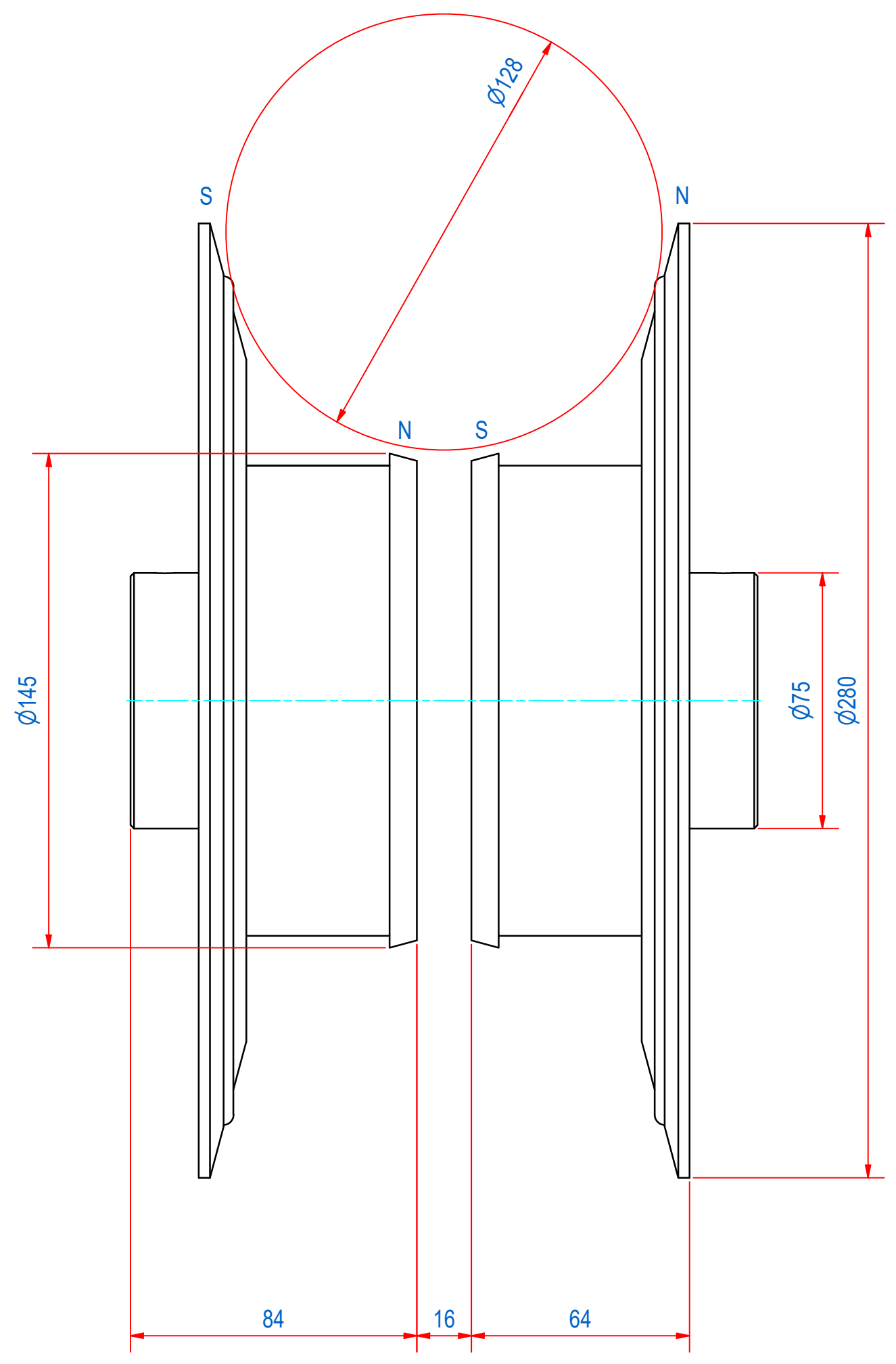


3	2	1		
DOC.NR.	REV	DATE	BY	DESCRIPTION
TRUS012003	-	15-6-2018	PB	COPY FROM ACAD



1	1	E0097087	TURNING + MILLING ASSEMBLY	
ITEM	QTY	PART NUMBER	DESCRIPTION	Dimensions
RAW MAT.	1			
Quantity	Material Number	Material Description	Length (mm)	Width (mm)
Sheet: A2	Extra info: MAGNETIC ROLLER LID STACK	General tolerance: ISO 2768- mK		
Drawn: PB	Weight (kg): 18	Drawn according: ISO268; ISO1101; ISO2553		
Date: 15-6-2018		Status: Standard		
Spare part: False	Source:	Customer reference number:		
Quick search:		Document number: TRUS012003	Doc.Rev: -	
Description:		Part number: TRUS012003	Rev: -	
		HRL-F-118/180-d025-B-F		