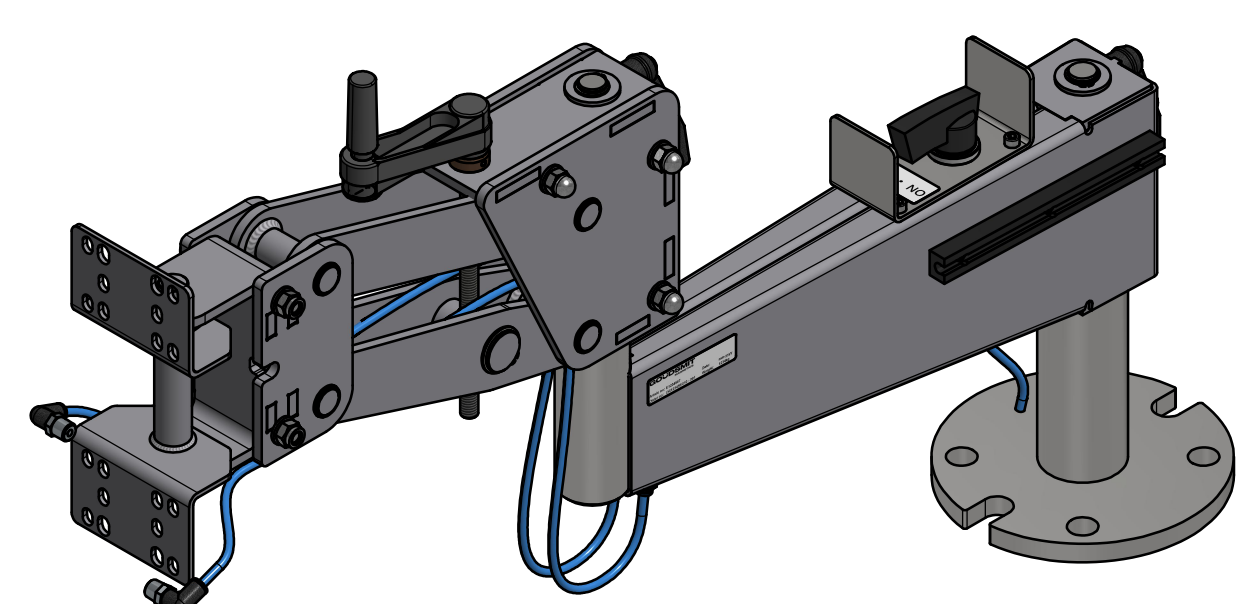
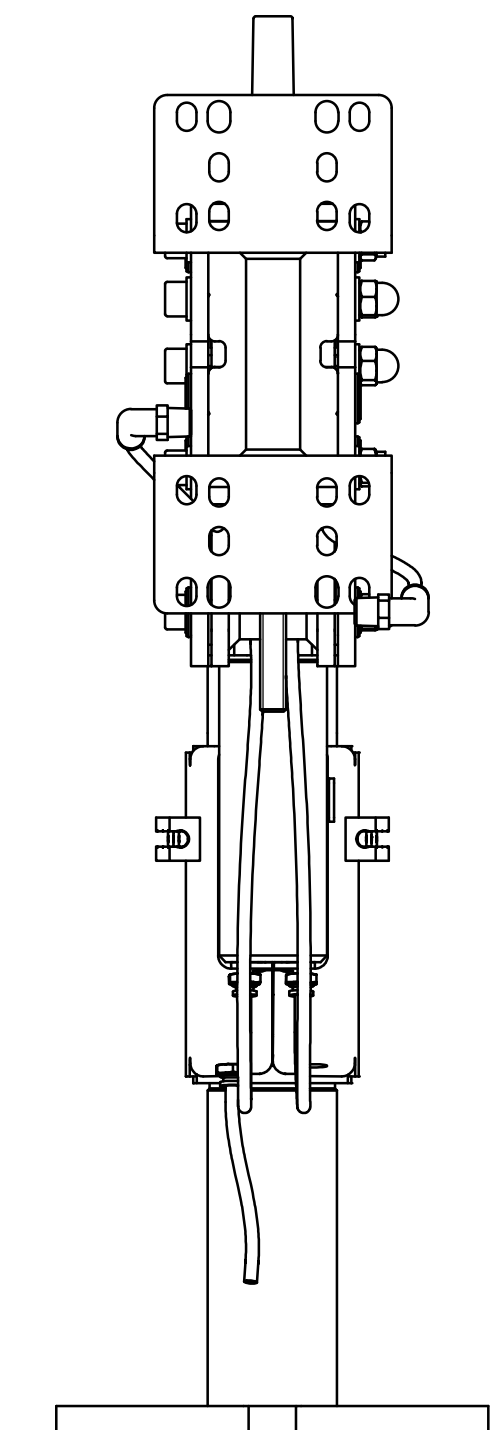
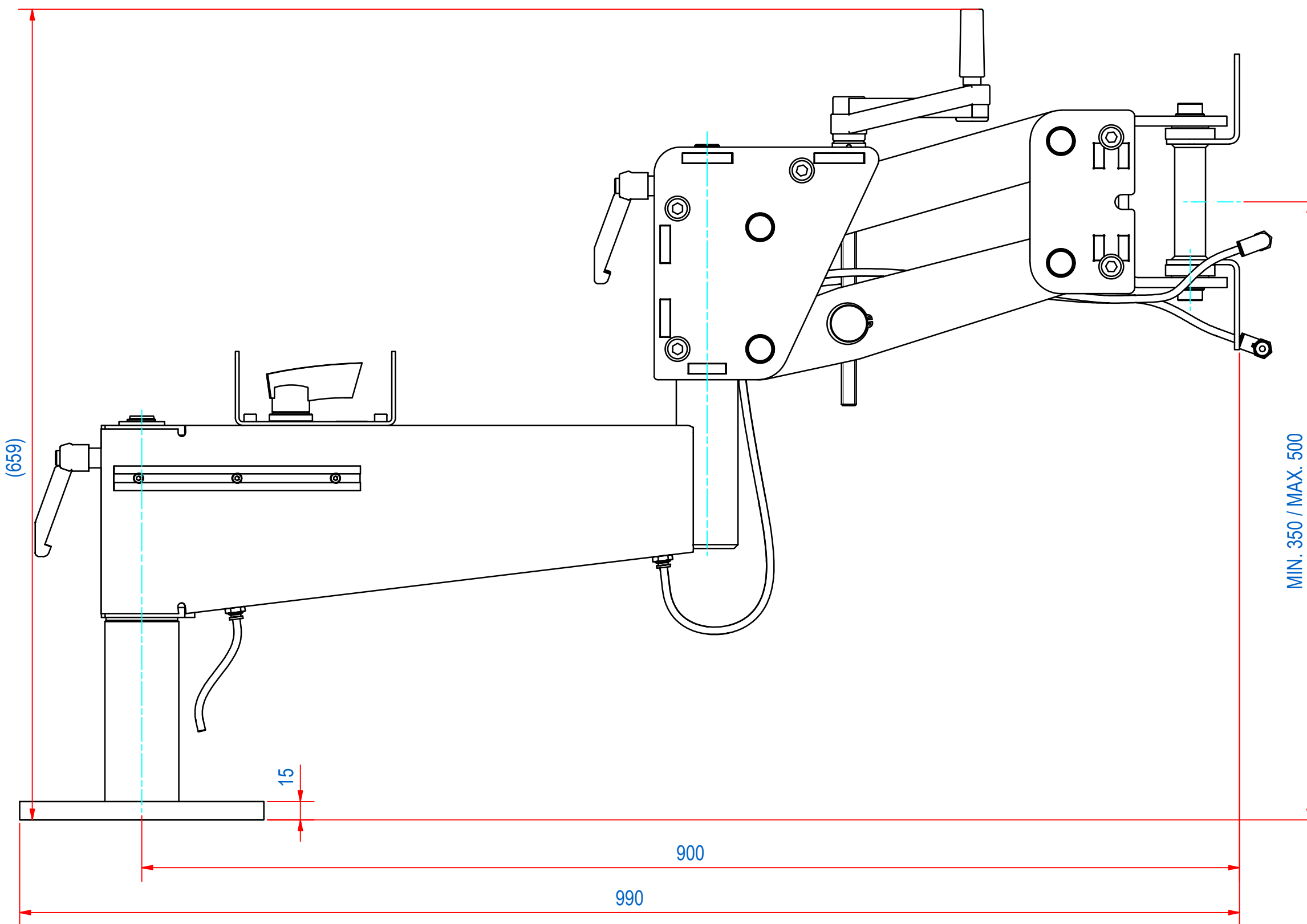
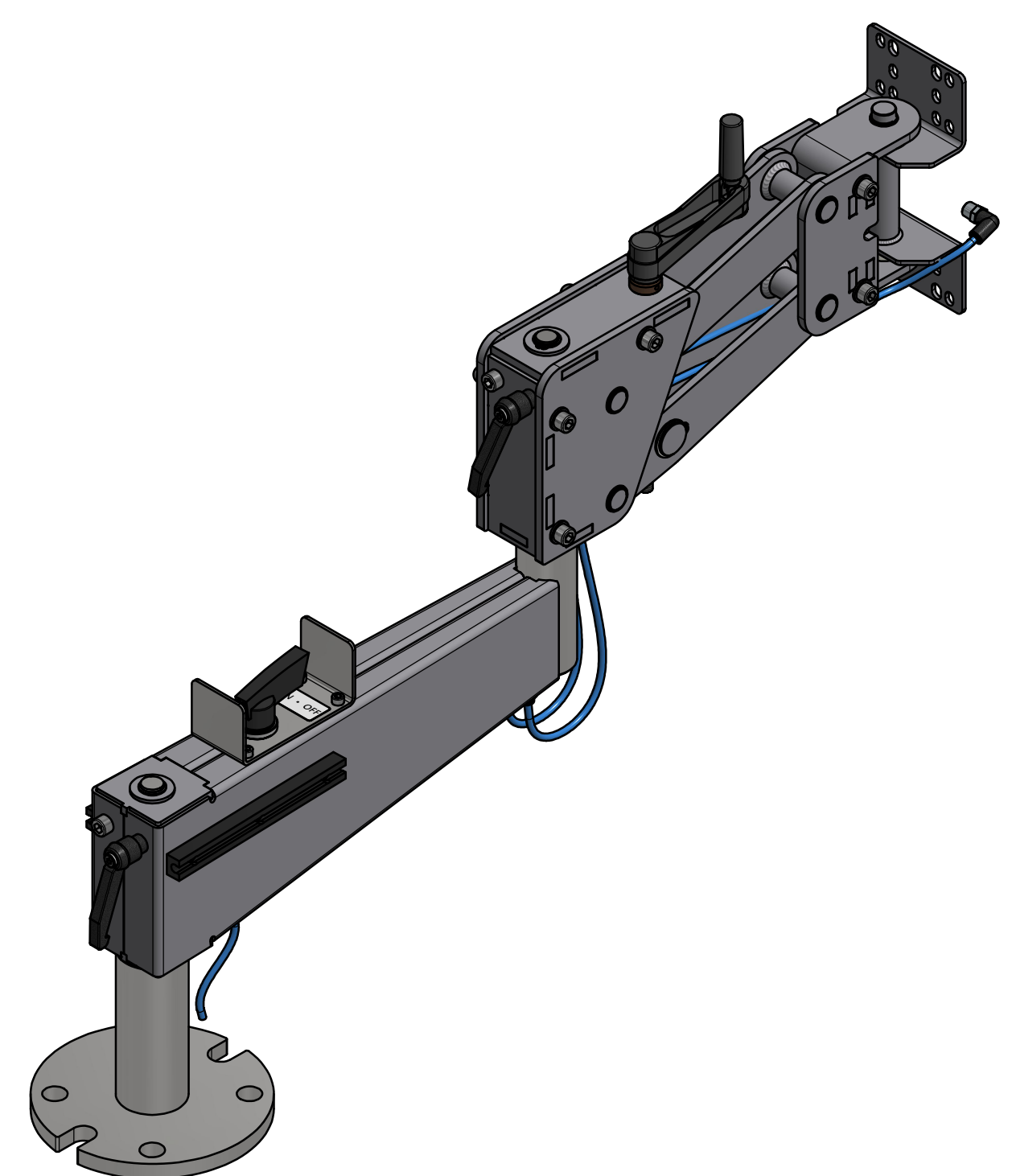
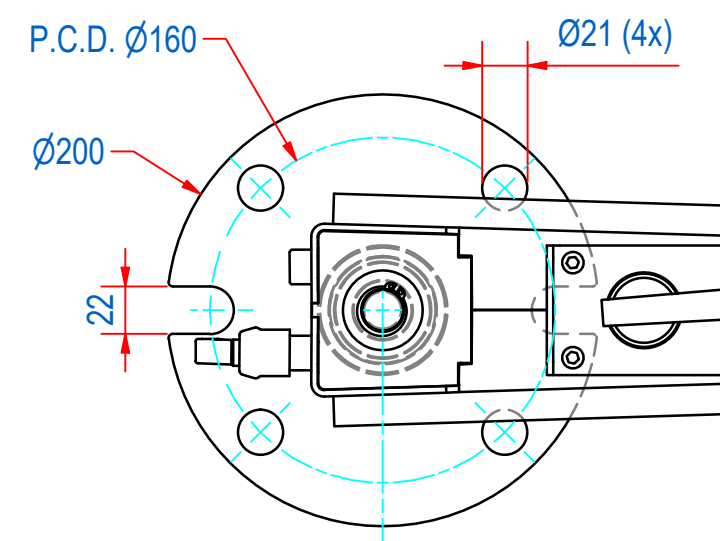


REV	DATE	BY	DESCRIPTION
-	18-6-2014	BS	NEW VAULT, NOTHING CHANGED, IS EQUAL TO OLD REVISION A
A	19-9-2022	RW	STICKER AND TYPE PLATE ADDED



ITEM	QTY	PART NUMBER	DESCRIPTION	Dimensions
1	1	A240023	HSS-ARM SHEET SEPARATOR	
RAW MAT.	Quantity	Material Number	Material Description	Length (mm) Width (mm)
⊕	Sheet: A2	Extra info:	General tolerance: ISO 2768 - mK	
Drawn: PB	Weight (kg): 34		Drawn according: ISO268; ISO1101; ISO2553	
Date: 27-5-2019			Status: Standard	
Spare part: False	Source:		Customer reference number:	
Quick search: TPSP MODUL			Document number: TUSM000016	Doc.Rev: A
Description: HSS-ARM SHEET SEPARATOR			Part number: TUSM000016	Rev: A



© All rights reserved. Reproduction is not permitted without written permission of GOUDSMIT Magnetic Systems BV