



Demagtunnel LF aansluiting

Drawing nr.: E0066580

Date : 3-1-2017

DATE : 3-1-2017	DRAWN BY : wv	MANUFACTURER:	CUSTOMER :
MOD. : 03-01-2017	A WV	GOUDSMIT	PROJECT : Demagtunnel LF aansluiting
MOD. :		PROJ.NR.: OR:	SUBJECT : Title

DRAWING.NR.: E0066580
ORD.NR. : OR:
CHECK :

	DC power supply		Heater		Pressure switch		Diode
	Proximity switch		Fluorescent tube		Thermal protection relay		Valve
	Electrolytic capacitor		Limit switch		Thermal contact		Protection earth
	Capacitor		Fuse		Resistance		Terminalclamp in control box/ connection box
	Contactor contacts		Circuit breaker		Push button normally open (NO)		Fuse clamp
	Contactor		Motor protection switch		Push button normally closed (NC)		Page reference
	Auxiliary relay		Rectifier bridge		Key-switch normally open (NO)	Wiring: Main circuit      Phase Black Control circuit    Neutral LightBlue 230 V Phase Red 230 V Neutral Red 24 V Phase Grey 24 V Neutral Grey 24 V DC + Blue 24 V DC - Blue 12 V DC + White 12 V DC - White Orange Purple	
	Relay/contacter contact normally open (NO)		Signal light		Emergency stop normally closed (NC)	Potential free Measure signals	
	Relay/contacter contact normally closed (NC)		Main power switch		Service switch		
	NO/NC contact		Motor		Transformer		

1

GROUP : 01      2.a



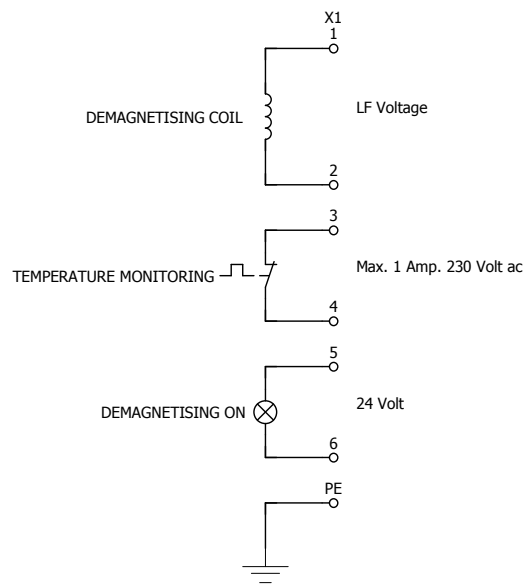
DATE : 3-1-2017	DRAWN BY : wv	MANUFACTURER:	CUSTOMER :
MOD. : 03-01-2017	A      WV	GOUDSMIT	PROJECT : Demagtunnel LF aansluiting
MOD. :		PROJ.NR.: OR:	SUBJECT : Symbol explanation

DRAWING.NR.:	E0066580
ORD.NR. :	OR:
CHECK :	

PAGE :	2
TOTAL PAGES :	7







DATE :	3-1-2017	DRAWN BY :	wv	MANUFACTURER:		CUSTOMER :		DRAWING.NR.:	E0066580
MOD. :	03-01-2017	A	WV	GOUDSMIT		PROJECT :	Demagtunnel LF aansluiting	ORD.NR. :	OR:
MOD. :				PROJ.NR.:	OR:	SUBJECT :	Control Circuit	CHECK :	

PAGE :	7
TOTAL PAGES :	7



DATE : 3-1-2017	DRAWN BY : ww	MANUFACTURER:	CUSTOMER :
MOD. : 03-01-2017	A ww	GOUDSMIT	PROJECT : Demagtunnel LF aansluiting
MOD. :		PROJ.NR.: OR:	SUBJECT : Control box

DRAWING.NR.:	E0066580
ORD.NR. :	OR:
CHECK :	

PAGE :	15
TOTAL PAGES :	7

